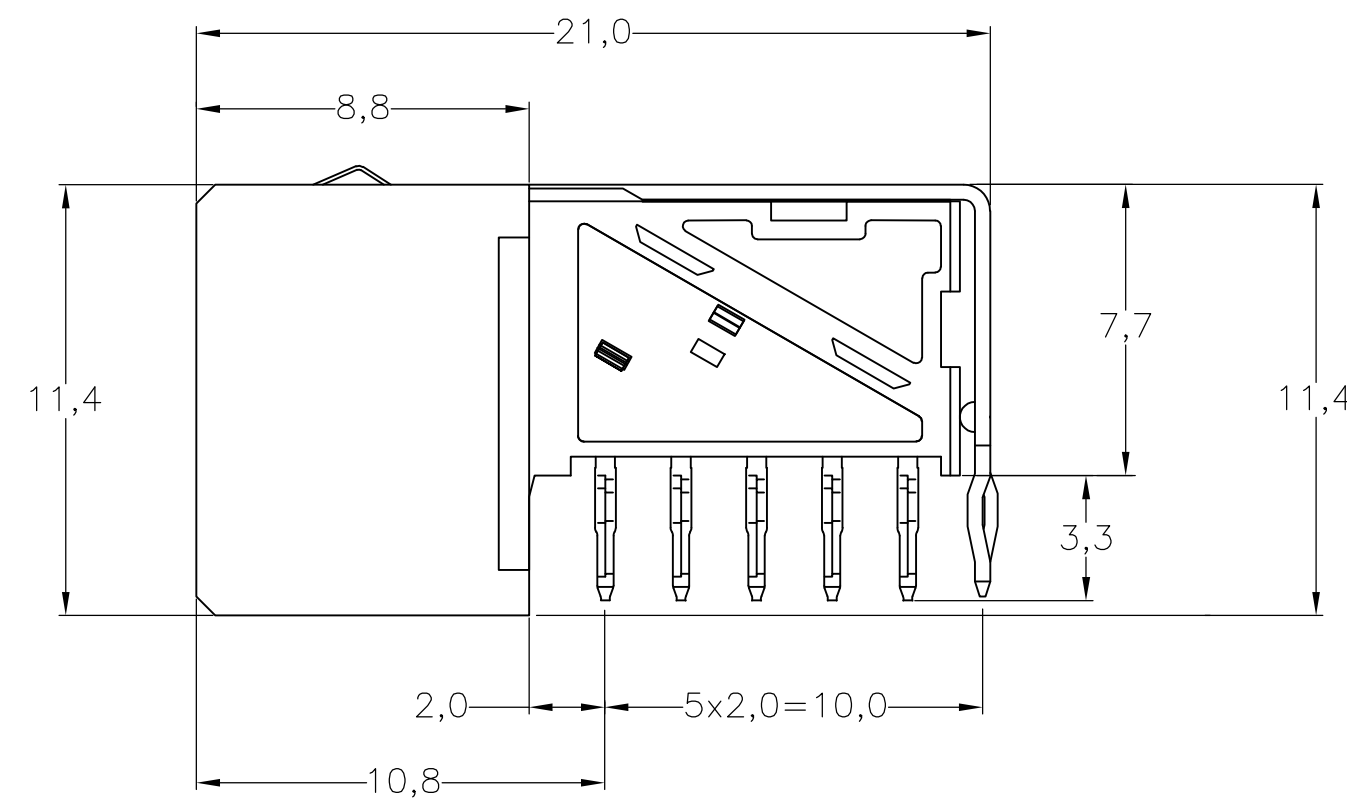
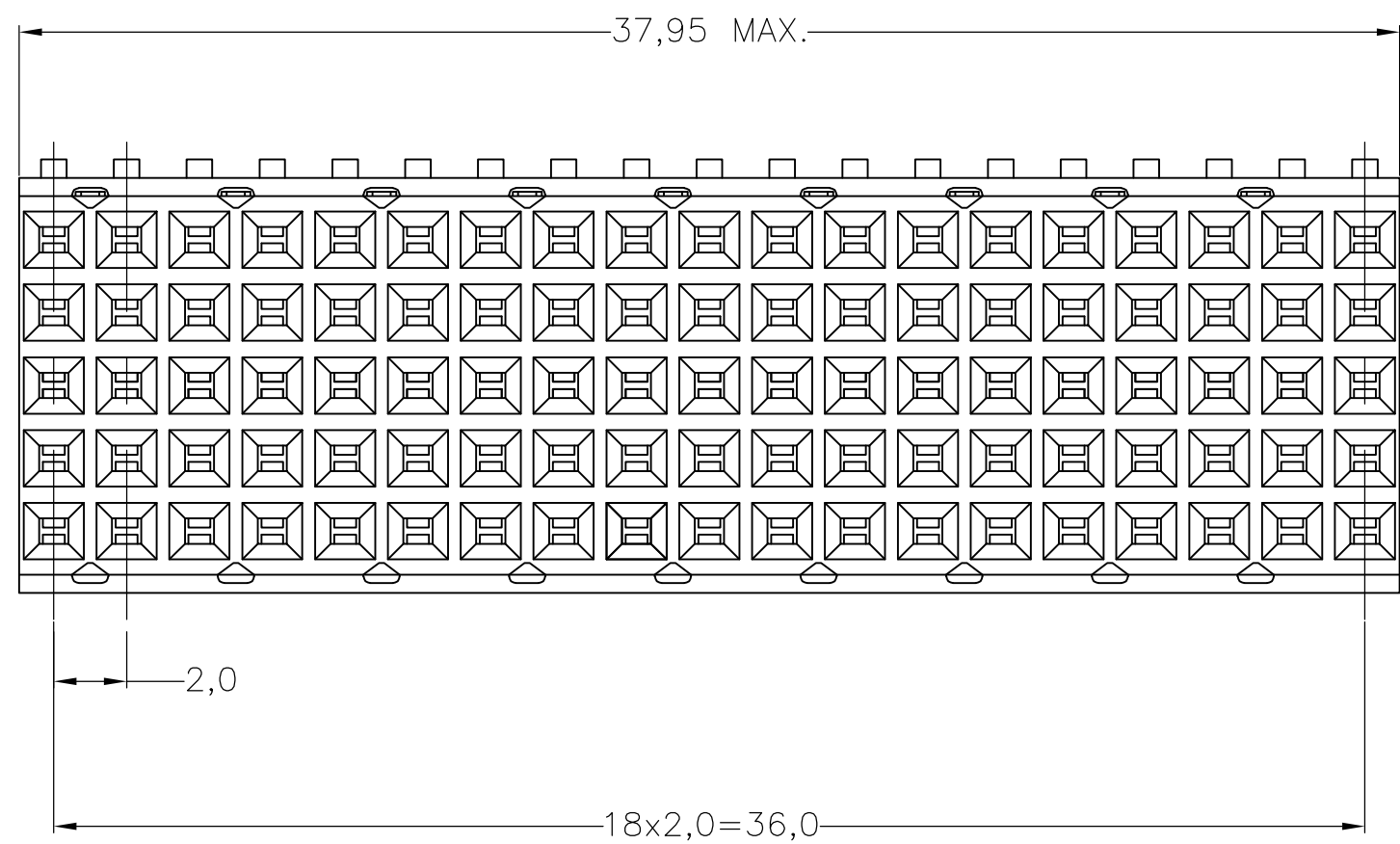
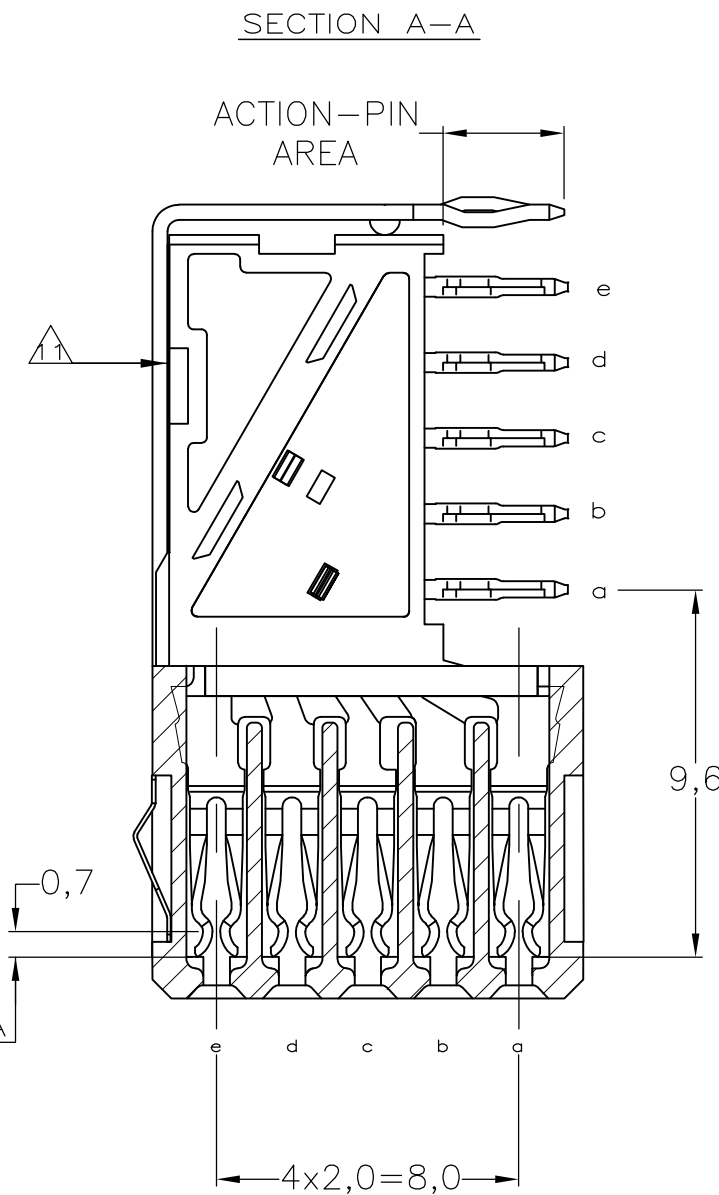
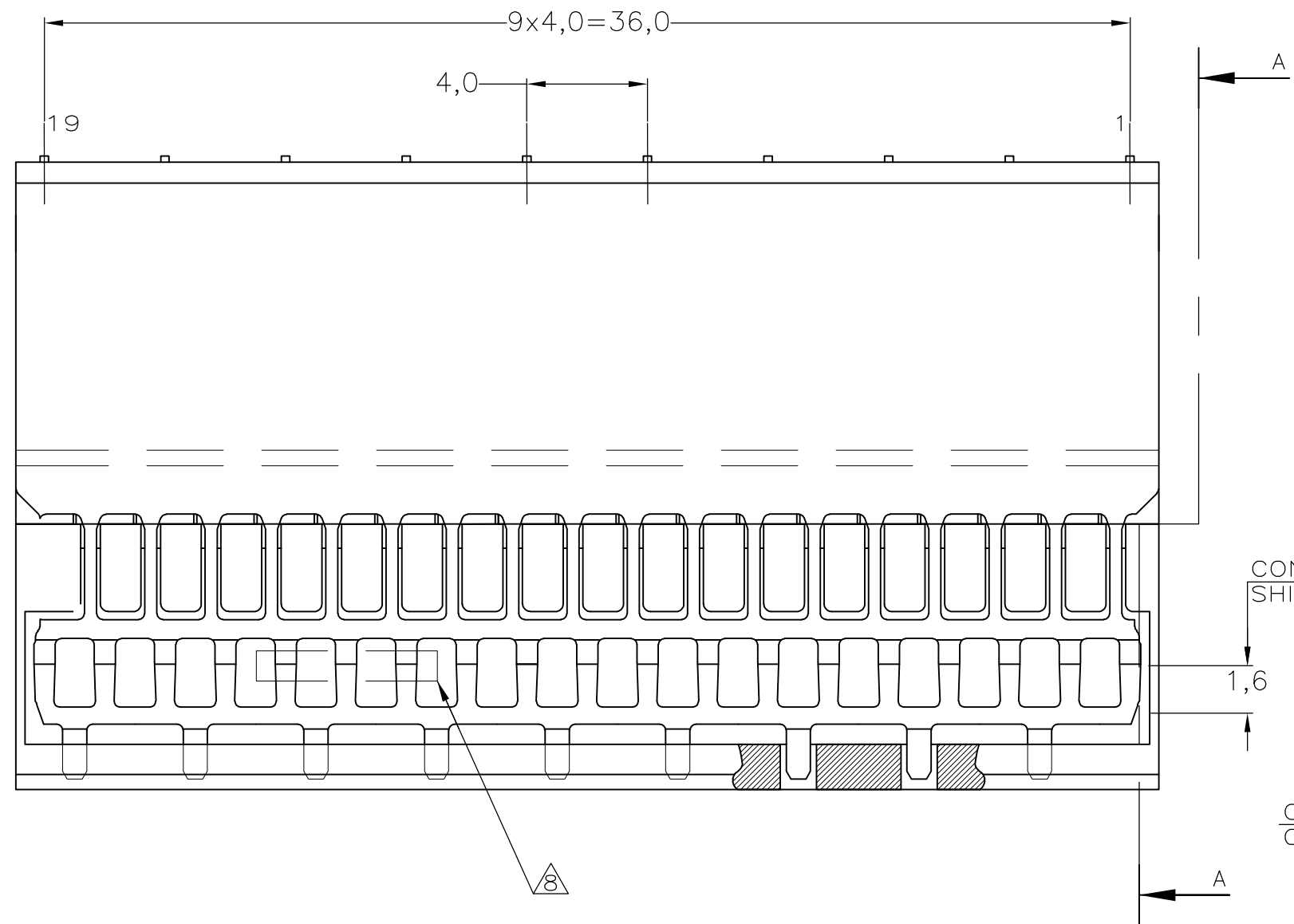


THIS DRAWING IS UNPUBLISHED. RELEASED FOR PUBLICATION
 © COPYRIGHT - By - ALL RIGHTS RESERVED.

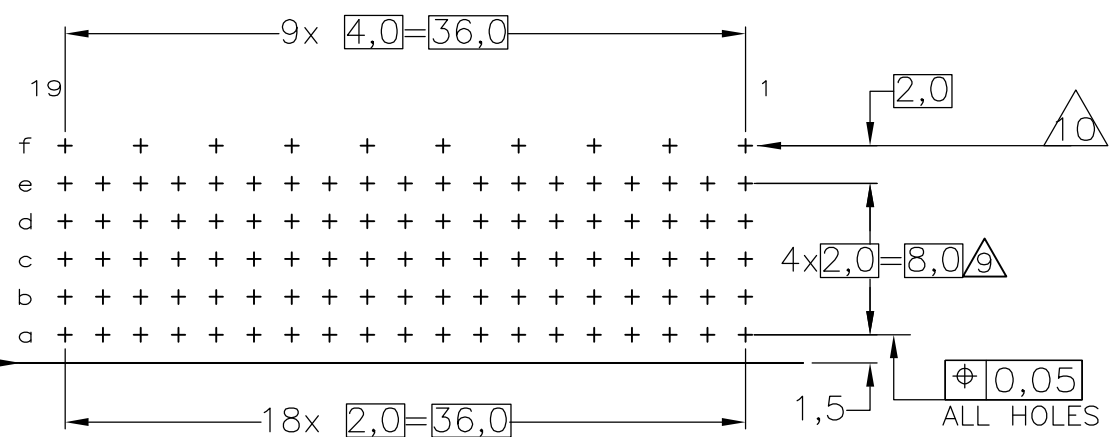
| LOC | DIST | REVISIONS | | | | | |
|-----|------|-----------|-----|---------------|-----------|-----|------|
| | | P | LTR | DESCRIPTION | DATE | DWN | APVD |
| H | - | M | | ECR-16-013255 | 17JUL2017 | FL | SY |

NOTES:

- △ MATERIAL CONTACTS; PHOSPHORBRONZE
MATERIAL HOUSING; GLASSFILLED POLYESTER (GRAY)
- △ GENERAL PLATING SPECIFICATION: UNDERPLATING (ENTIRE CONTACT): 1,27µm NICKEL MIN. AND ACTION PIN: 0,5µm TIN-LEAD MIN.
FOR PLATING OF MATING SURFACES SEE APPLICABLE SPECIFICATION REFERENCE FOR EACH DASH NUMBER.
- △ CONFORMS TO ALL TESTING ACCORDING IEC 61076-4-101 PERFORMANCE LEVEL 2.
- △ CONFORMS TO ALL TESTING ACCORDING IEC 61076-4-101 PERFORMANCE LEVEL 1.
- △ CONNECTOR TESTED AND QUALIFIED AGAINST TELCORDIA GR-1217-CORE QUALITY LEVEL III, CENTRAL OFFICE APPLICATIONS.
- △ CONNECTOR LUBRICATED WITH TELCORDIA GR-1217-CORE APPROVED LUBRICANT.
- △ ASSEMBLY PRINTED WITH P/N AND DATECODE
THE MARKING CAN APPEAR ON THE FRONT SIDE OR BACK SIDE.
- △ HOLE PATTERN FOR FEMALE CONNECTOR TYPE B-19 COLUMNS
95 PLATED-THROUGH HOLES AT 2x2mm SQUARE GRID
- △ ROW "f" 10 PLATED THROUGH HOLES FOR UPERSHIELD
- △ SHIELD MOUNTED ON CONNECTOR WITH DOUBLE SIDED ADHESIVE TAPE OR ADHESIVE
- 12 BASIC P.N. LOWERSHIELD: 352029
- △ 0.76µm MIN GOLD PLATING AT MATING SURFACES OF SIGNAL.
- △ 1.27µm MIN GOLD PLATING AT MATING SURFACES OF SIGNAL.



COMPONENT SIDE AS SHOWN
 RECOMMENDED PCB-HOLE LAY-OUT
 SCALE 2,5:1



P.C.B. HOLE DIM. ACTION PIN
 FOR DETAILS SEE
 APPLICATION SPECIFICATION

OBSOLETE

| | | |
|--------|----------|------------|
| △△△ | △ | 5-352171-0 |
| △△△ | △ | 3-352171-0 |
| △△△ | △ | 352171-9 |
| △△ | △ | 352171-4 |
| △△ | △ | 352171-1 |
| FINISH | MATERIAL | PARTNUMBER |

| | | | | |
|--|--|-------------------------------------|---|--------------------|
| THIS DRAWING IS A CONTROLLED DOCUMENT. | | DWN W. V.D. HEIJDEN 28-JAN-97 | TE Connectivity | |
| DIMENSIONS: mm | | CHK B. MOOIJ 06-FEB-06 | Z-PACK 2MM HM TYPE B - 19 COLUMNS PRE-SHIELDED RECEPTACLE | |
| TOLERANCES UNLESS OTHERWISE SPECIFIED: ±0.2 | | APVD J. BROEKSTEEG 06-FEB-06 | NAME | |
| MATERIAL | | PRODUCT SPEC 108-19082 | SIZE A2 | CAGE CODE 00779 |
| FINISH | | APPLICATION SPEC 114-19029 | DRAWING NO C=352171 | RESTRICTED TO |
| | | WEIGHT 0.0000 | SCALE NTS | SHEET 1 of 1 |
| | | CUSTOMER DRAWING | REV M | |