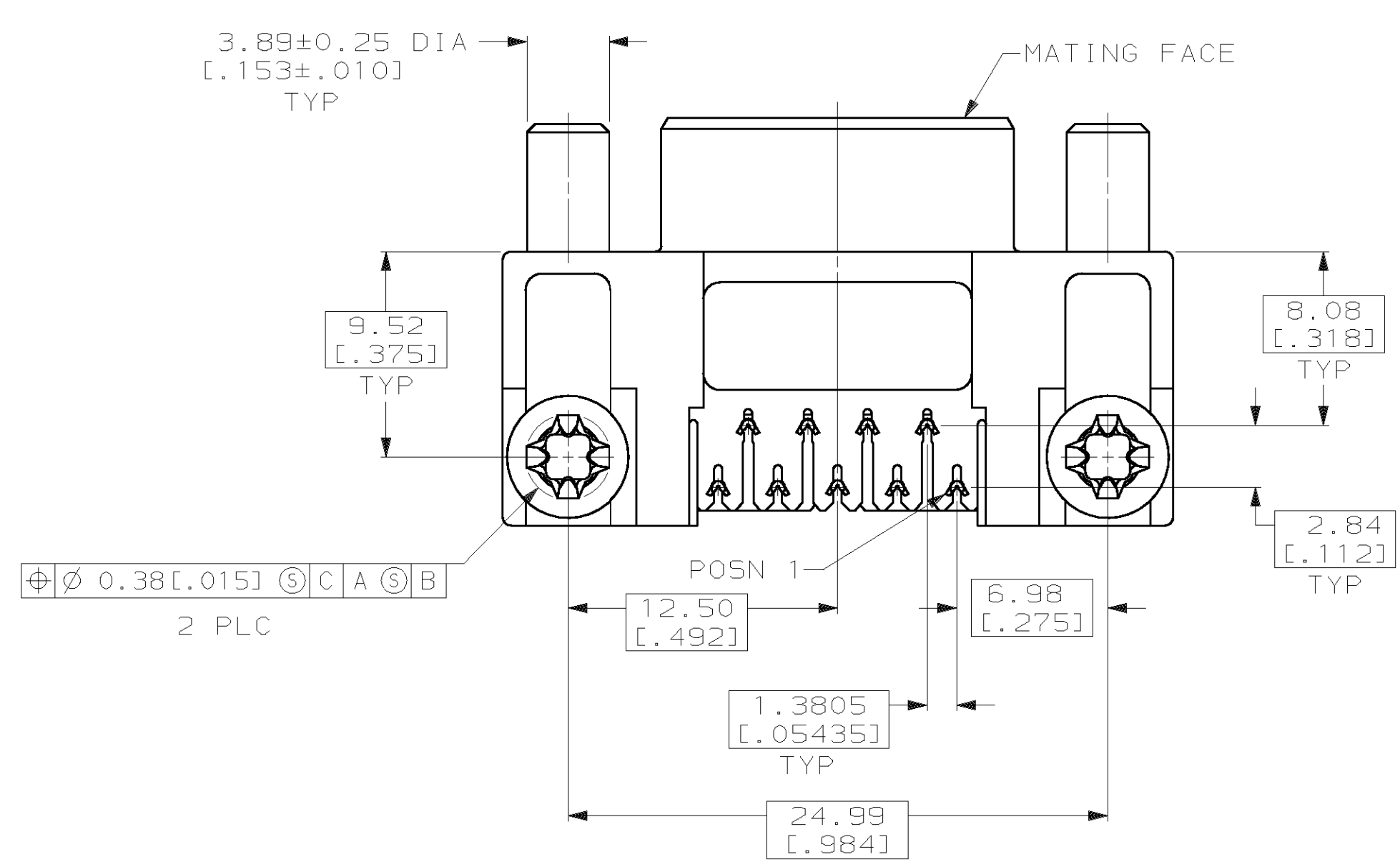
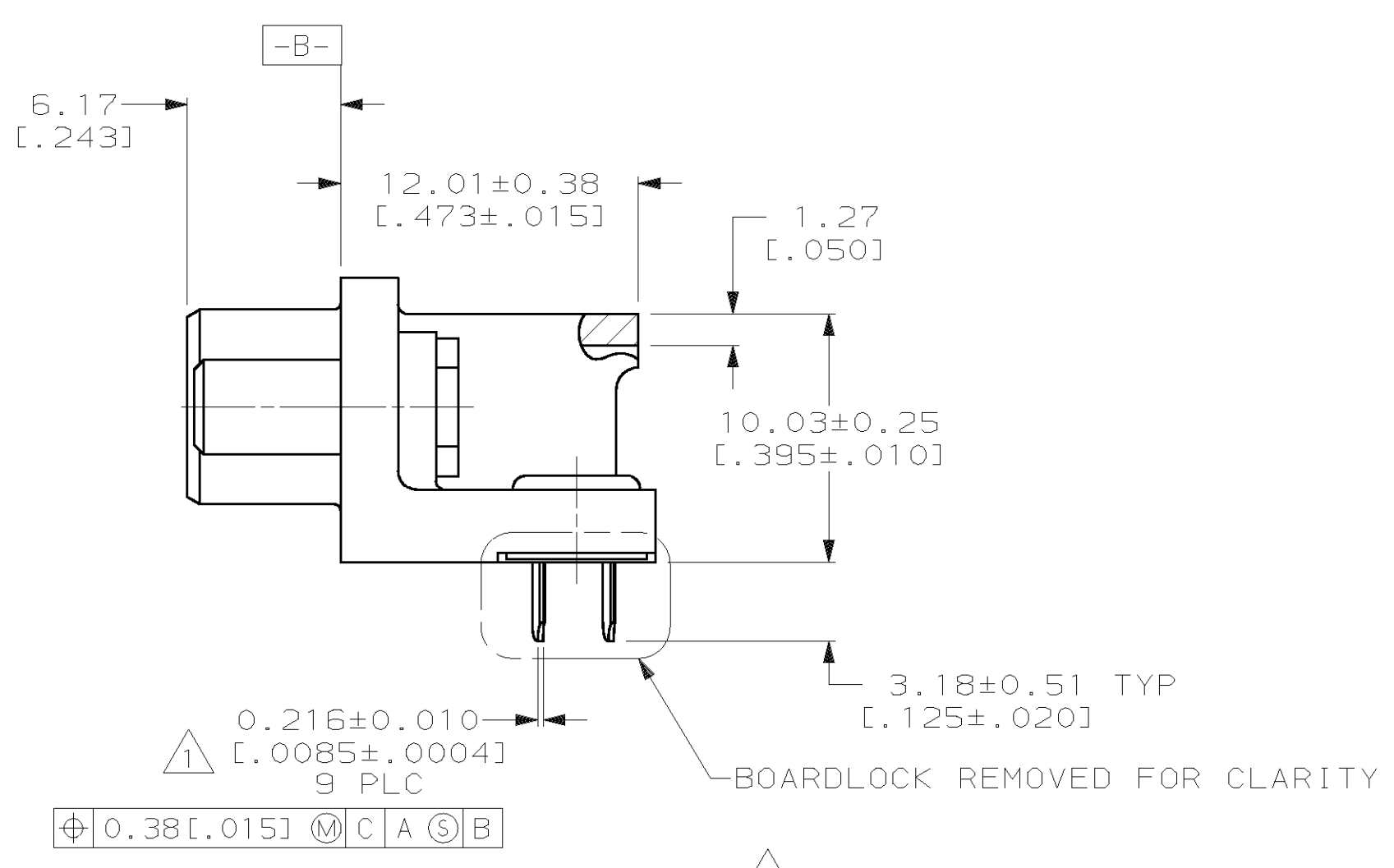
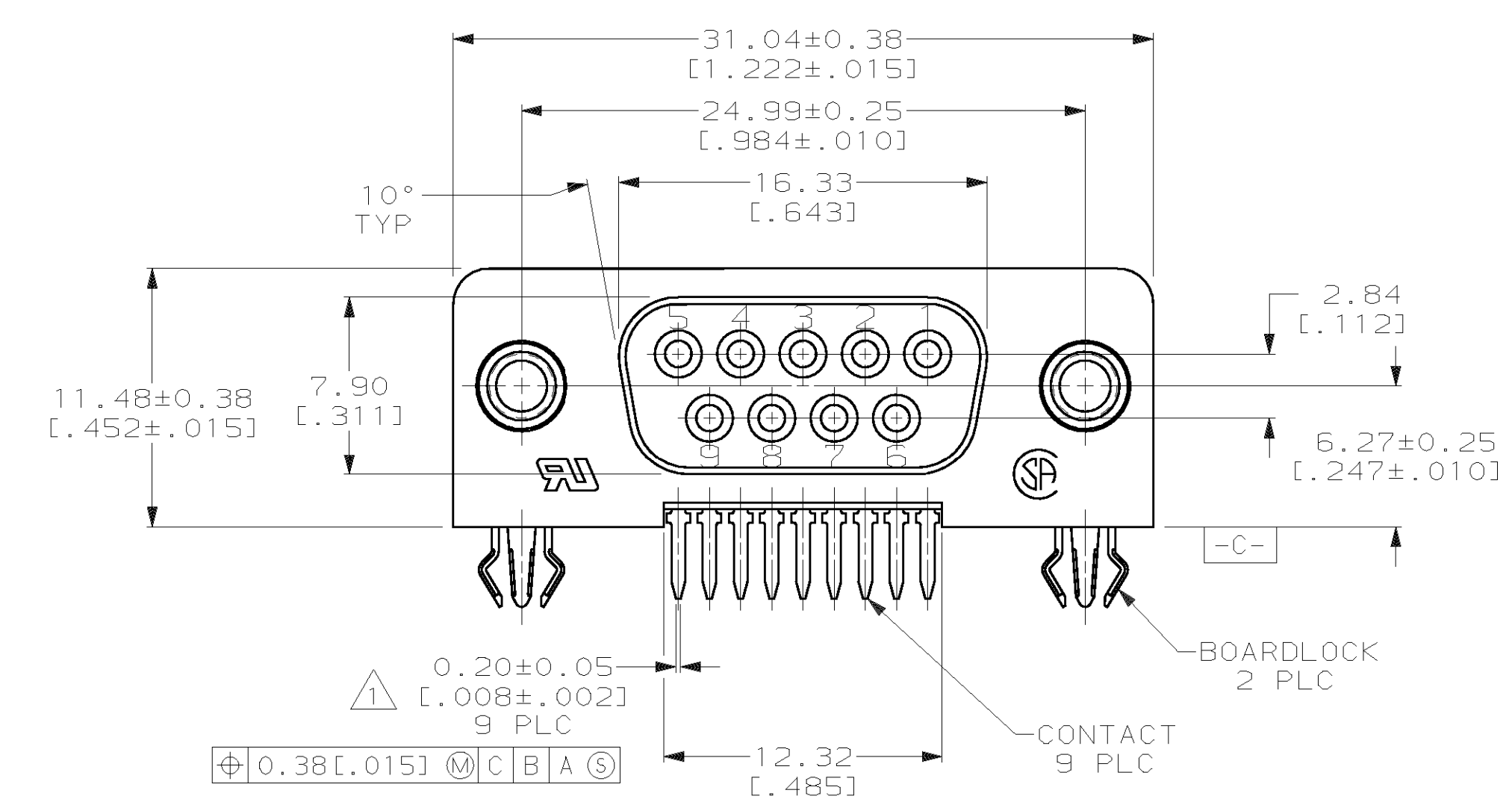
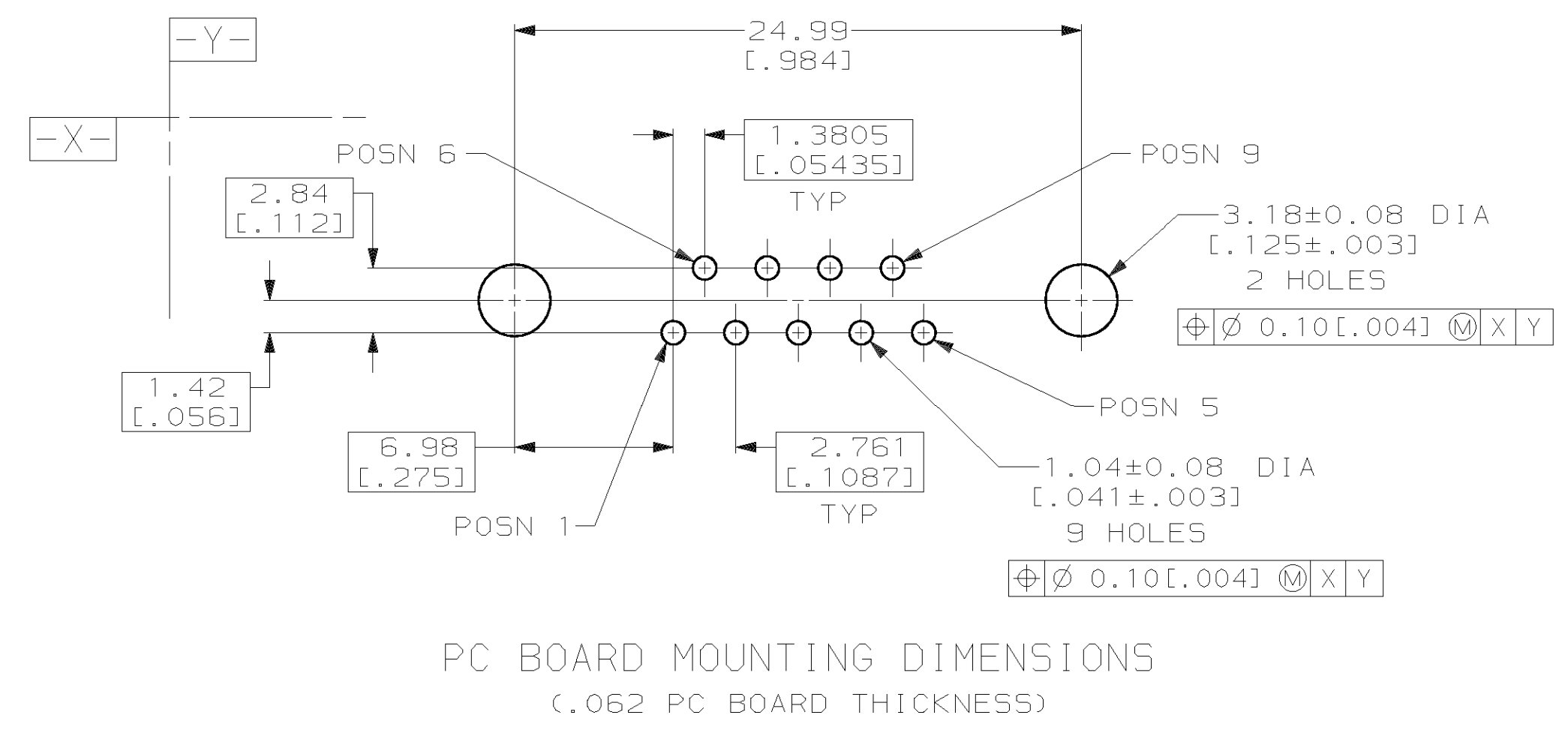
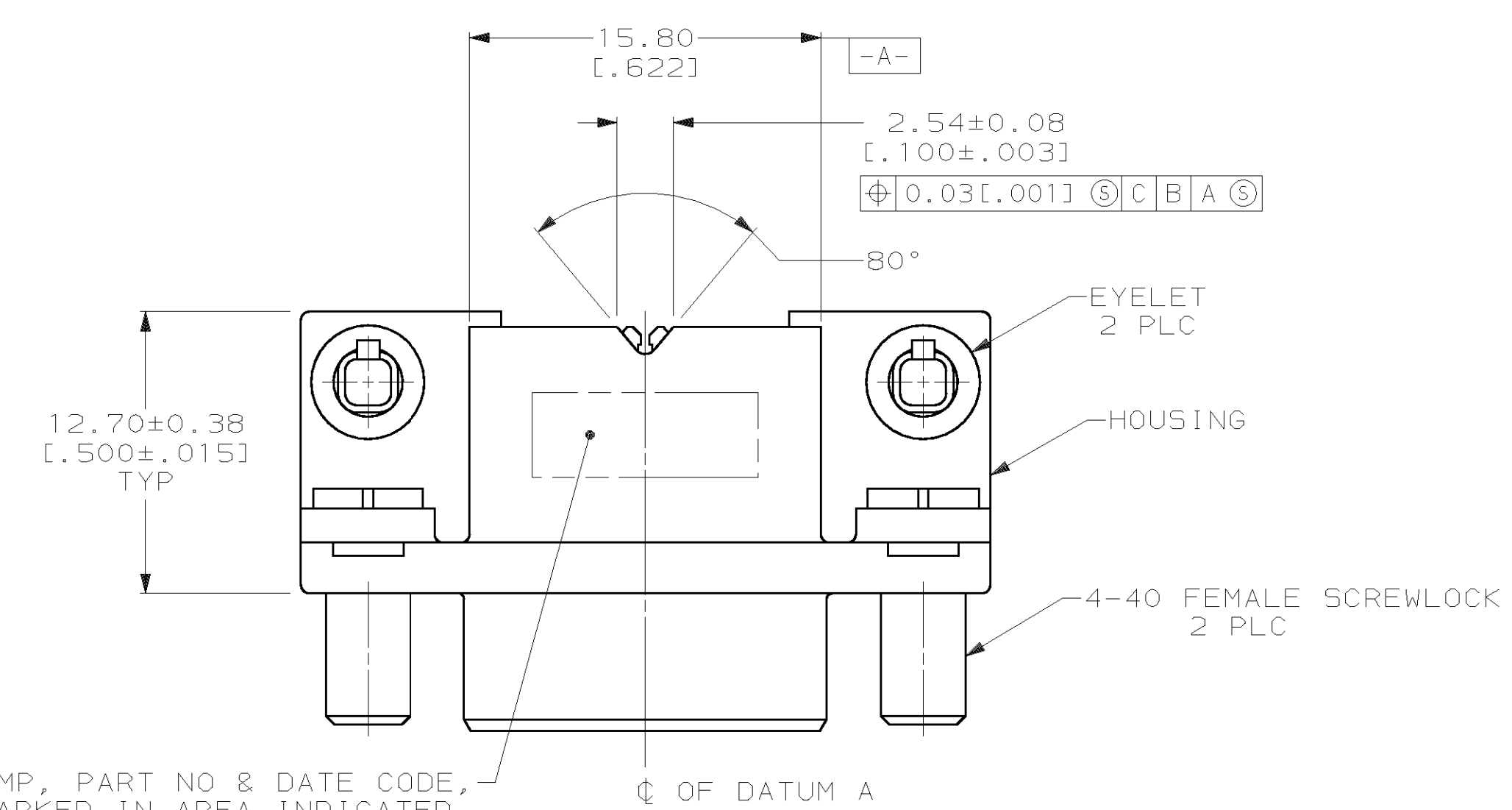


REVISONS		DATE	APPO
LOC	Q1ST	DESCRIPTION	
GP	00	F	JG
		REVISED PER EC 0513-0017-03	12MAY03



- 1 POSITION TOLERANCE APPLIES AT TIP ONLY.
- 2 NYLON OR POLYESTER, UL94V-0 RATED, BLACK.
- 3 PHOSPHOR BRONZE PER QQ-B-750.
- 4 EYELETS: BRASS; SCREWLOCKS: ZINC; BOARDLOCKS: COPPER ALLOY.
- 5 GOLD PLATING PER MIL-G-45204, NICKEL PLATING PER QQ-N-290, TIN PLATING PER MIL-T-10727.
- 6 EYELETS: 5.08 μm [0.000200] MIN TIN OVER COPPER FLASH; BOARDLOCKS: 5.08 μm [0.000200] MIN TIN-LEAD OVER 1.27 μm [0.000500] MIN NICKEL.
- 7 0.76 μm [0.000030] MIN GOLD FOR A LENGTH OF 1.52 [0.060] MIN FROM MATING END, 3.05 μm [0.000120] MIN TIN-LEAD FOR A LENGTH OF 3.68 [0.145] MIN FROM OPPOSITE END, BOTH OVER 1.27 μm [0.000500] MIN NICKEL.
- 8 GOLD FLASH FOR A LENGTH OF 1.52 [0.060] MIN FROM MATING END, 3.05 μm [0.000120] MIN TIN-LEAD FOR A LENGTH OF 3.68 [0.145] MIN FROM OPPOSITE END, BOTH OVER 1.27 μm [0.000500] MIN NICKEL.
- 9 0.25 μm [0.000010] MIN GOLD FOR A LENGTH OF 1.52 [0.060] MIN FROM MATING END, 3.05 μm [0.000120] MIN TIN-LEAD FOR A LENGTH OF 3.68 [0.145] MIN FROM OPPOSITE END, BOTH OVER 1.27 μm [0.000500] MIN NICKEL.

OBSOLETE	7	748979-3
OBSOLETE	8	748979-2
	9	748979-1

DO NOT SCALE PRINT. UNLESS SPECIFIED DIMENSIONS IN mm [INCHES] TOLERANCES - ON : 2 PLC DEC ± 0.13 [0.005] 3 PLC DEC ± - ANGLES ± 2°	DR 08/03/89 S. WELDON CHK 8/29/89 R. STONE APPD 9/18/89 W. SWAIN APPD 9/18/89 C. ROHDE	NAME RECEPTACLE ASSEMBLY, SIZE 1, 9 POSN, ALL PLASTIC, RIGHT ANGLE, .318 SERIES, AMPLIMITE® III
MATERIAL HOUSING: 2 CONTACTS: 3 HARDWARE: 4	PRODUCT SPEC 108-1226	SIZE D
FINISH 5 CONTACTS: SEE TABLE SCREWLOCKS: CLEAR CHROMATE	APPLICATION SPEC 114-40027	CAGE CODE 00779
	WEIGHT	DRAWING NO 748979
		SCALE 4:1
		SHEET 1 OF 1