



COMMON MODE CHOKES

ACM0439CI

- SMD Common mode choke
- High Impedance to minimize common mode noise
- Excellent EMI performance
- Industrial Op Temp: -40°C to +85°C

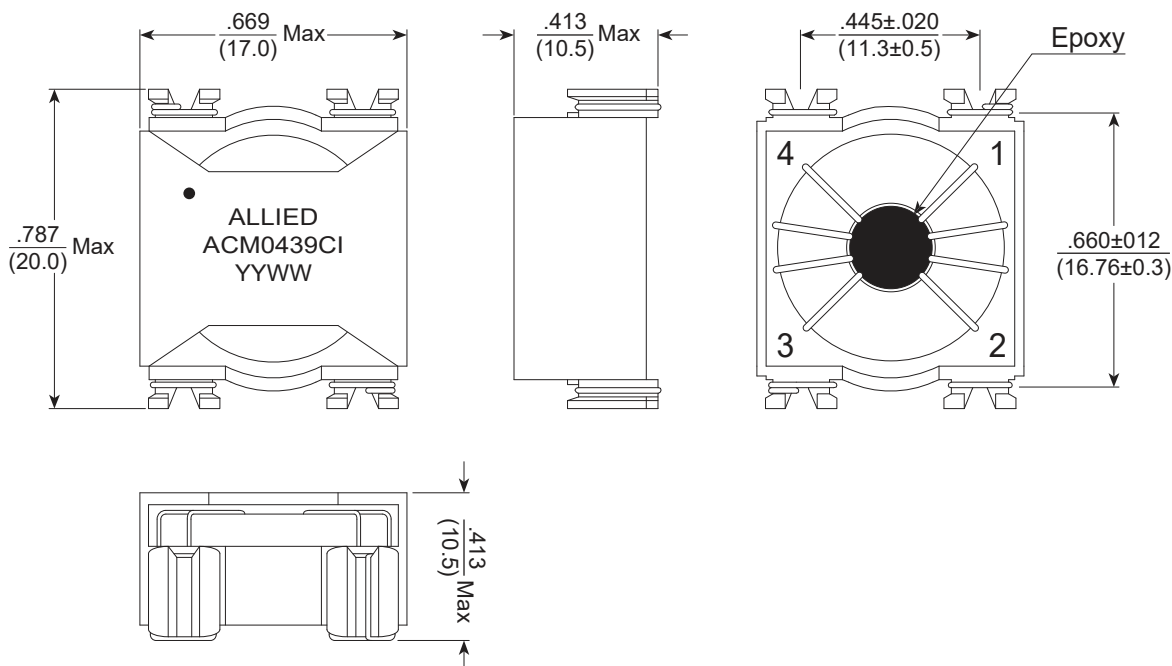


Electrical Specifications @25°C					
Inductance @10KHz/0.1mA	Turns Ratio @20KHz, 1.0V	DCR (mΩ) Max	Rated Current (A) Max	Isat @ 10KHz, 0.1V	HI-POT 5mA/2Sec/50Hz
(1-2) = (4-3)	(1-2) : (4-3)	(1-2) = (4-3)		@ 50mADC	Wdg - Wdg
100μH ±30%	1 : 1 ±1%	80	1.5	63μH	1500Vac

All specifications subject to change without notice.

MECHANICAL

Dimensions:  $\frac{\text{inch}}{\text{mm}}$



SCHEMATIC

