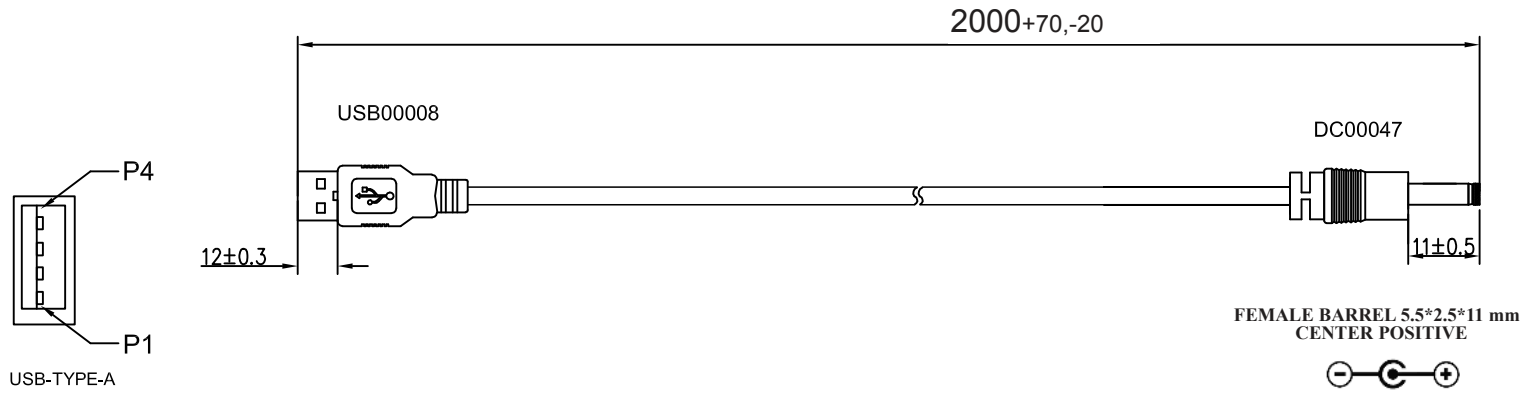


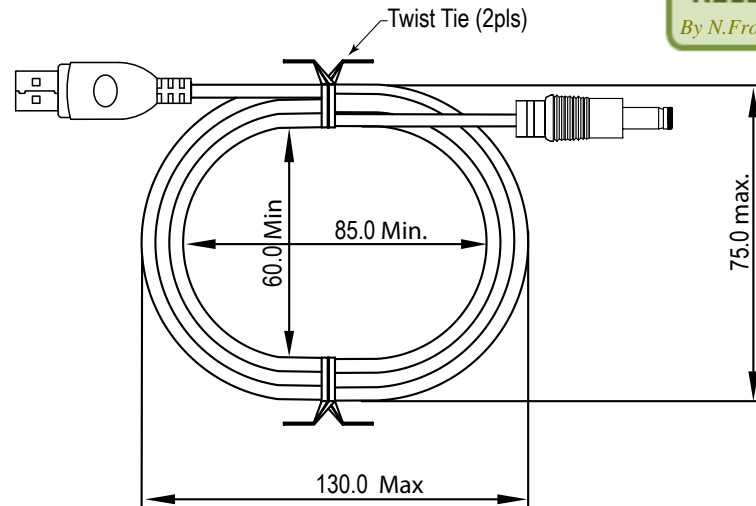
PROPRIETARY INFORMATION:  
 PROPRIETARY OF GLOBTEK, INC. ANY REPRODUCTION, DISCLOSURE OR  
 USE OF THIS DRAWING, IN WHOLE OR IN PART, IS HEREBY  
 PROHIBITED EXCEPT AS SPECIFIED IN WRITING BY GLOBTEK, INC.

REVISION			
REV	DESCRIPTION	DATE	APPROVED
A	INITIAL RELEASE, RFS. 26850, RC	08/07/17	BS



Pin ASSIGNMENT


USB TYPE-A	DC 5.5*2.5*11
1 — RED —	#22*1C BARREL CENTER
2 — White —	CONNECTED TOGETHER (NO CONNECTION TO BARREL)DC
3 — Green —	
4 — Black —	#22*1C BARREL OUTSIDE
Shell — Drain+Braid —	NC



**RELEASED**  
 By N.Frost at 2:05 pm, Aug 07, 2017



TITLE	DESCRIPTION
HEAT SHRINK TUBE	O.D. 0.8, COLOR: BLACK
CABLE	UL2725 BLACK 28 AWG TWISTED PAIR + 2X 22 AWG, SHIELDED
USB TYPE A PLUG	CONTACT GOLD PLATED 30u"

DASH NO.	PART NO	REV.	DESCRIPTION	NOTES
<b>TABULATION BLOCK</b>				
		<b>TOLERANCES:</b> DECIMALS    ANGULAR .xx +/- 0.1    +/- 1° .xxx +/- .005		 <b>GlobTek, Inc.</b> 186 Veterans Dr. Northvale, NJ 07647 www.globtek.com    Tel. 201-784-1000    Fax 201.784.0111
		MILLIMETERS    ANGULAR .xx +/- 0.3    +/- 1° .xxx +/- .013		
INIT.BY: RC	DATE: 08/07/17	DWG TITLE: DETACHABLE USB CORD USB TYPE-A TO FEMALE BARREL		
DRAWN: NF	DATE: 08/07/17	FSCN No.: G, CC	SIZE: A	REV. A
APRVD: MK	DATE: 08/07/17	SCALE: NONE	PART NO: <b>USBA2M0LCP-CHG(R)</b>	SHEET 1/1

Foot Note:  
 Globtek Inc. will not be liable for the safety and performance of these power product if unauthorized access and repair occurs. End user should consult the applicable UL, CSA or EN Standards for proper installation instruction.

Limitation of Use:  
 Globtek product are not authorized for use as mission critical components in life support, hazardous environment, nuclear or aircraft applications without prior written approval from the CEO of Globtek Inc.

Contents of this document are subject to change without prior notice