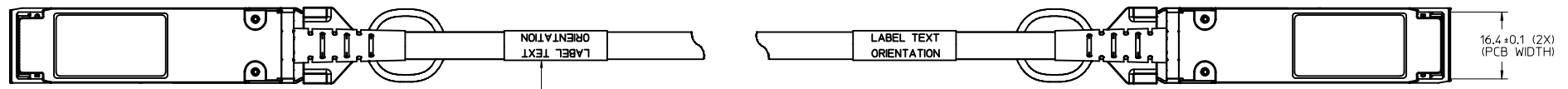
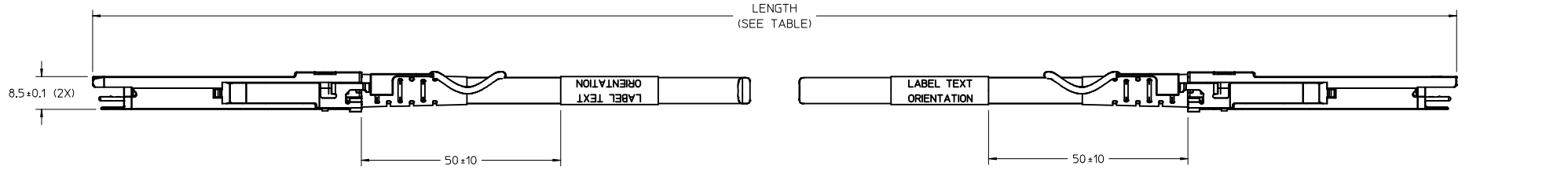
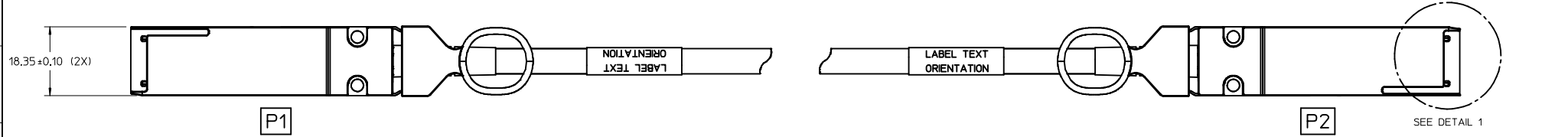
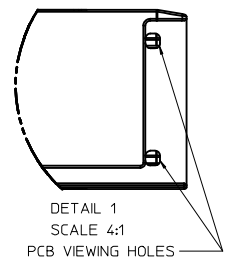
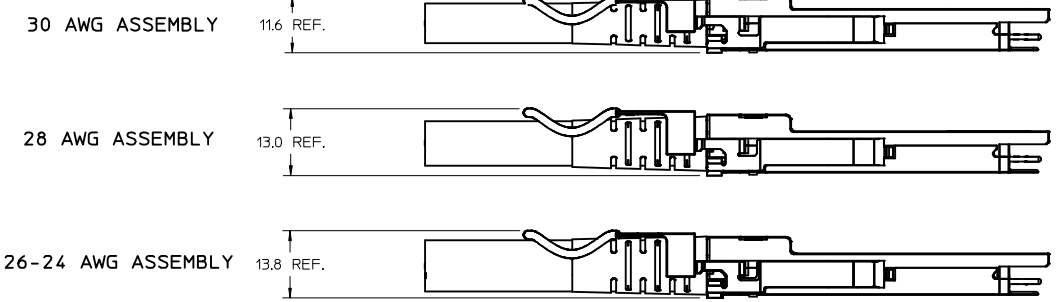


20 19 18 17 16 15 14 13 12 11 10 9 8 7 6 5 4 3 2 1



SEE SHEET 3 FOR LABEL DETAIL FOR CABLES UNDER 2M, LABEL ON P1 END ONLY

SEE SHEET 3 FOR P/N TABLE



- NOTES:
1. CABLE DISTANCE DEPENDS ON WIRE GAUGE, DATA RATE, AND HOST BOARD DRIVER CAPABILITIES
 2. MATERIALS:
 - BACKSHELLS - ZINC DIE CAST WITH BRIGHT NICKEL PLATING
 - DELATCH - STAINLESS STEEL WITH OVERMOLDED NYLON
 - PCB - FR4
 - RIVETS - STAINLESS STEEL
 3. IMPEDANCE - 100 OHMS DIFFERENTIAL
 4. RoHS COMPLIANT, NO EXEMPTIONS

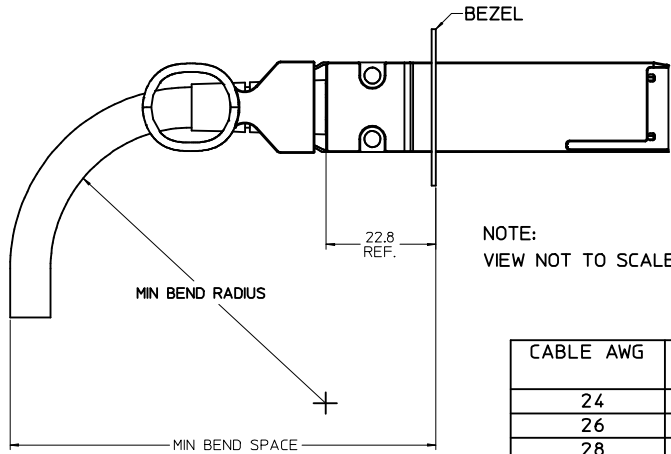
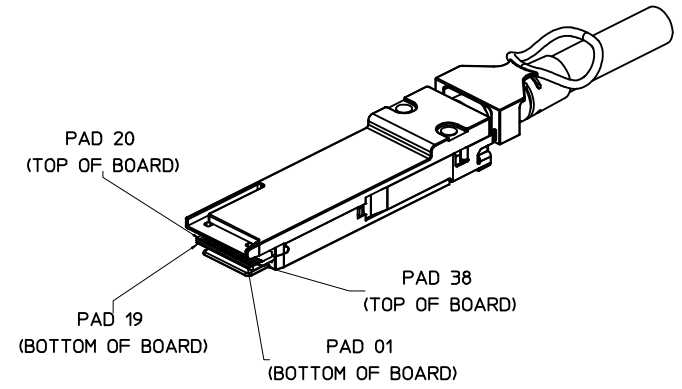
ADDED P/N 110402255 EC NO: CPG2017-0314 DRAWN BY: CHYOKUKIMARR CHECKED BY: CHYOKUKAGANNA APPR: ARAYBURN DATE: 2016/08/24 DATE: 2016/08/26 DATE: 2016/08/26	QUALITY SYMBOLS	GENERAL TOLERANCES (UNLESS SPECIFIED)	DIMENSION STYLE	SCALE	DESIGN UNITS	THIRD ANGLE PROJECTION	
	∇=0 ∇=0 ∇=0	mm INCH 4 PLACES ±--- ±--- 3 PLACES ±--- ±--- 2 PLACES ±0.13 ±--- 1 PLACE ±0.25 ±--- 0 PLACE ± ±	MM ONLY	2:1	METRIC	DRAWN BY: JENGRAVE CHECKED BY: RAGYEI APPROVED BY: ARAYBURN DATE: 2014/10/20 DATE: 2015/01/30 DATE: 2014/11/11	TITLE: QSFP+ COPPER PATCH CABLE ASSEMBLY DOCUMENT NO: SD-11040-0005 SHEET NO: 1 OF 3
	DRAFT WHERE APPLICABLE MUST REMAIN WITHIN DIMENSIONS		SEE P/N TABLE	MATERIAL NO. SEE P/N TABLE THIS DRAWING CONTAINS INFORMATION THAT IS PROPRIETARY TO MOLEX INCORPORATED AND SHOULD NOT BE USED WITHOUT WRITTEN PERMISSION			
			SIZE D				

19 18 17 16 15 14 13 12 11 10 9 8 7 6 5 4 3 2 1

WIRING DIAGRAM					
P1 END			P2 END		
PAD	SIGNAL		PAD	SIGNAL	
01	GND (TX)	----	20	GND (RX)	
02	TX2n	---->	21	RX2n	
03	TX2p	---->	22	RX2p	
04	GND (TX)	----	23	GND (RX)	
05	TX4n	---->	24	RX4n	
06	TX4p	---->	25	RX4p	
07	GND (TX)	----	26	GND (RX)	
08	ModSelL	■ ■	27	ModPrsL	
09	ResetL	■ ■	28	IntL	
10	VccRx	■ ■	29	VccTx	
11	SCL	■ NC	30	Vcc1	
12	SDA	■ ■	31	LPMode	
13	GND (RX)	----	32	GND (TX)	
14	RX3p	<----	33	TX3p	
15	RX3n	<----	34	TX3n	
16	GND (RX)	----	35	GND (TX)	
17	RX1p	<----	36	TX1p	
18	RX1n	<----	37	TX1n	
19	GND (RX)	----	38	GND (TX)	
20	GND (RX)	----	01	GND (TX)	
21	RX2n	<----	02	TX2n	
22	RX2p	<----	03	TX2p	
23	GND (RX)	----	04	GND (TX)	
24	RX4n	<----	05	TX4n	
25	RX4p	<----	06	TX4p	
26	GND (RX)	----	07	GND (TX)	
27	ModPrsL	■ ■	08	ModSelL	
28	IntL	■ ■	09	ResetL	
29	VccTx	■ ■	10	VccRx	
30	Vcc1	■ NC	11	SCL	
31	LPMode	■ ■	12	SDA	
32	GND (TX)	----	13	GND (RX)	
33	TX3p	---->	14	RX3p	
34	TX3n	---->	15	RX3n	
35	GND (TX)	----	16	GND (RX)	
36	TX1p	---->	17	RX1p	
37	TX1n	---->	18	RX1n	
38	GND (TX)	----	19	GND (RX)	

LEGEND:

- = THRU LINES
- > = TRANSMIT TO RECEIVE ON HIGH SPEED CIRCUITS
- C = COMMON GROUND CONNECTION
- NC = NOT CONNECTED
- = CONNECTION TO A DEVICE ON THE PCB



NOTE:
VIEW NOT TO SCALE.

CABLE BEND RADIUS

CABLE AWG	MIN BEND RADIUS (mm)	MIN BEND SPACE (mm)
24	50	83
26	44	76
28	39	69
30	33	62

NOTES:

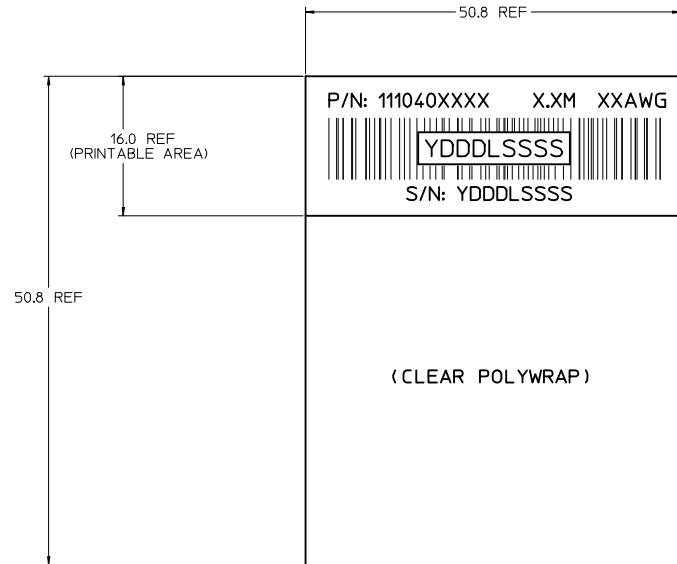
1. DC BLOCKING CAPS ON RECEIVE SIDE ONLY
2. CABLE COILED AND PACKAGED IN BEST FIT ESD BAG AND SEALED WITH ESD LABEL FOR SHIPPING

ADDED P/N 110402255 EC NO: CPG2017-0314 DRWNG: KUMARR 2016/08/24 CHKD: KAGANNA 2016/08/26 APPR: ARAYBURN 2016/08/26 REV DESCRIPTION	QUALITY SYMBOLS	GENERAL TOLERANCES (UNLESS SPECIFIED)	DIMENSION STYLE	SCALE	DESIGN UNITS	THIRD ANGLE PROJECTION
	▽=0	mm INCH	MM ONLY	1:1	METRIC	
	▽=0	4 PLACES ± --- ± ---	DRAWN BY	DATE	TITLE	
	▽=0	3 PLACES ± --- ± ---	JENGRIVE	2014/10/20	QSPF+ COPPER PATCH CABLE ASSEMBLY	
	2 PLACES ± 0.13 ± ---	CHECKED BY	DATE			
	1 PLACE ± 0.25 ± ---	RAGYEI	2015/01/30			
	0 PLACE ± ±	APPROVED BY	DATE			
		ARAYBURN	2014/11/11			
		MATERIAL NO.	DOCUMENT NO.			
		SEE P/N TABLE	SD-111040-0005			
		THIS DRAWING CONTAINS INFORMATION THAT IS PROPRIETARY TO MOLEX INCORPORATED AND SHOULD NOT BE USED WITHOUT WRITTEN PERMISSION				

PART NUMBER TABLE

MOLEX P/N	LENGTH (M)	LENGTH TOLERANCE (mm)	AWG
1110401045	0.35	±30	30
1110401055	0.5	±30	30
1110401075	0.75	±30	30
1110401105	1.0	±50	30
1110401155	1.5	±50	30
1110401205	2.0	±50	30
1110401255	2.5	±50	30
1110401305	3.0	±50	30
1110401325	3.2	±50	30
1110401405	4.0	±50	30
1110401505	5.0	±80	30
1110401705	7.0	±80	30
1110402055	0.5	±30	28
1110402105	1.0	±50	28
1110402205	2.0	±50	28
1110402255	2.5	±50	28
1110402305	3.0	±50	28
1110401358	3.5	±50	28
1110402405	4.0	±50	28
1110402505	5.0	±80	28
1110402605	6.0	±80	28
1110402705	7.0	±80	28
1110403055	0.5	±30	26
1110403105	1.0	±50	26
1110403205	2.0	±50	26
1110403305	3.0	±50	26
1110403405	4.0	±50	26
1110403505	5.0	±80	26
1110403605	6.0	±80	26
1110403705	7.0	±80	26
1110404055	0.5	±30	24
1110404105	1.0	±50	24
1110404205	2.0	±50	24
1110404305	3.0	±50	24
1110404405	4.0	±50	24
1110404505	5.0	±80	24
1110404605	6.0	±80	24
1110404705	7.0	±80	24

LABEL DETAIL



P/N: SEE TABLE
 S/N: Y = YEAR, LAST DIGIT OF YEAR
 DDD = DAY OF THE YEAR (ISO-8601 FORMAT)
 L = LOCATION - 1 = USA
 2 = MEXICO
 3 = CHINA
 4 = PHILIPPINES
 SSSS = SERIAL NUMBER (0001-9999)
 X.XM: CABLE LENGTH, AS SHOWN ON P/N TABLE
 XXAWG: WIRE GAGE, SEE TABLE

ADDED P/N 1110402255 EC NO: CFG2017-0314 DRWNG: KUMARR 2016/08/24 CHKD: KAGANNA 2016/08/26 APPR: ARAYBURN 2016/08/26 REV DESCRIPTION	QUALITY SYMBOLS	GENERAL TOLERANCES (UNLESS SPECIFIED)	DIMENSION STYLE	SCALE	DESIGN UNITS	THIRD ANGLE PROJECTION
	▽=0	4 PLACES ±---+---+---	MM ONLY	1:1	METRIC	☉
	▽=0	3 PLACES ±---+---+---	mm			
	▽=0	2 PLACES ±0.13+---+---	INCH			
		1 PLACE ±0.25+---+---				
		0 PLACE ±+---+---				
		ANGULAR ±----°				
		DRAFT WHERE APPLICABLE MUST REMAIN WITHIN DIMENSIONS				
			DRAWN BY DATE	TITLE		
			JENGRAVE 2014/10/20	QSFP+ COPPER PATCH CABLE ASSEMBLY		
			CHECKED BY DATE			
			RAGYEJ 2015/01/30			
			APPROVED BY DATE			
			ARAYBURN 2014/11/11			
			MATERIAL NO.	DOCUMENT NO.	SHEET NO.	
			SEE P/N TABLE	SD-111040-0005	3 OF 3	
			THIS DRAWING CONTAINS INFORMATION THAT IS PROPRIETARY TO MOLEX INCORPORATED AND SHOULD NOT BE USED WITHOUT WRITTEN PERMISSION			