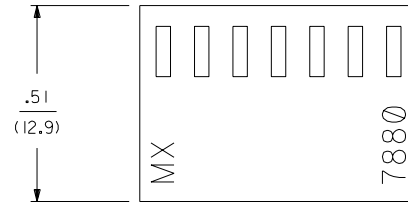
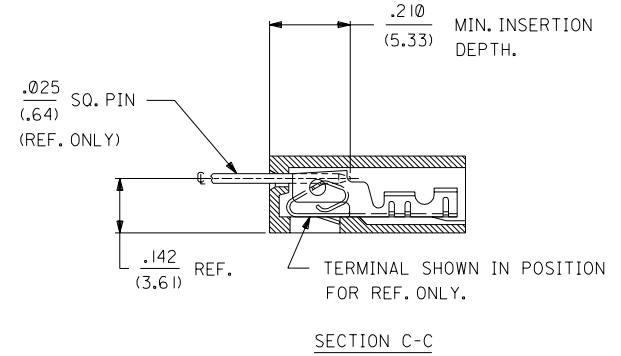
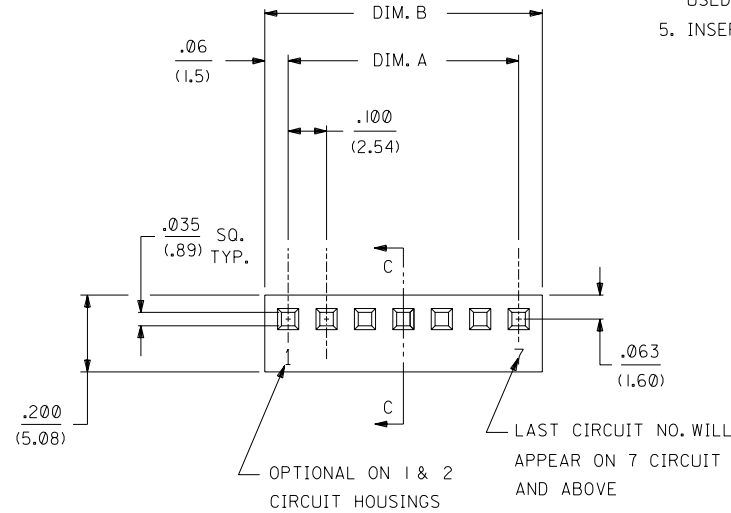


| | 13 | 12 | 11 | 10 | 9 | 8 | 7 | 6 | 7880 | 4 | 3 | 2 | 1 |
|---|---------------|---------------------------|---------------------------|----|---|---|---|---|------|---|---|---|---|
| J | NO. OF CKT'S. | DIM. A | DIM. B | | | | | | | | | | |
| | 1 | | .122±.010 (3.10±.25) | | | | | | | | | | |
| | 2 | .100±.004 (2.54±.10) | .222±.010 (5.64±.25) | | | | | | | | | | |
| | 3 | .200±.004 (5.08±.10) | .322±.010 (8.18±.25) | | | | | | | | | | |
| I | 4 | .300±.004 (7.62±.10) | .422±.010 (10.72±.25) | | | | | | | | | | |
| | 5 | .400±.004 (10.16±.10) | .522±.010 (13.26±.25) | | | | | | | | | | |
| H | 6 | .500±.005 (12.70±.13) | .622±.010 (15.80±.25) | | | | | | | | | | |
| | 7 | .600±.005 (15.24±.13) | .722±.011 (18.34±.28) | | | | | | | | | | |
| | 8 | .700±.005 (17.78±.13) | .822±.011 (20.88±.28) | | | | | | | | | | |
| G | 9 | .800±.006 (20.32±.15) | .922±.011 (23.42±.28) | | | | | | | | | | |
| | 10 | .900±.006 (22.86±.15) | 1.022±.012 (25.96±.30) | | | | | | | | | | |
| | 11 | 1.000±.006 (25.40±.15) | 1.122±.012 (28.50±.30) | | | | | | | | | | |
| F | 12 | 1.100±.006 (27.94±.15) | 1.222±.012 (31.04±.30) | | | | | | | | | | |
| | 13 | 1.200±.007 (30.48±.18) | 1.322±.012 (33.58±.30) | | | | | | | | | | |
| | 14 | 1.300±.007 (33.02±.18) | 1.422±.013 (36.12±.33) | | | | | | | | | | |
| | 15 | 1.400±.011 (35.56±.28) | 1.522±.013 (38.66±.33) | | | | | | | | | | |
| E | 16 | 1.500±.011 (38.10±.28) | 1.622±.013 (41.20±.33) | | | | | | | | | | |
| | 17 | 1.600±.011 (40.64±.28) | 1.722±.013 (43.74±.33) | | | | | | | | | | |
| | 18 | 1.700±.011 (43.18±.28) | 1.822±.014 (46.28±.36) | | | | | | | | | | |
| D | 19 | 1.800±.011 (45.72±.28) | 1.922±.014 (48.82±.36) | | | | | | | | | | |
| | 20 | 1.900±.011 (48.26±.28) | 2.022±.014 (51.36±.36) | | | | | | | | | | |
| | 21 | 2.000±.012 (50.80±.30) | 2.122±.015 (53.90±.38) | | | | | | | | | | |
| C | 22 | 2.100±.012 (53.34±.30) | 2.222±.015 (56.44±.38) | | | | | | | | | | |
| | 23 | 2.200±.012 (55.88±.30) | 2.322±.015 (59.98±.38) | | | | | | | | | | |
| | 24 | 2.300±.012 (58.42±.30) | 2.422±.016 (61.52±.41) | | | | | | | | | | |
| B | 25 | 2.400±.013 (60.96±.33) | 2.522±.016 (64.06±.41) | | | | | | | | | | |
| | 26 | 2.500±.013 (63.50±.33) | 2.622±.016 (66.60±.41) | | | | | | | | | | |
| | 27 | 2.600±.013 (66.04±.33) | 2.722±.016 (69.14±.41) | | | | | | | | | | |
| A | 28 | 2.700±.013 (68.58±.33) | 2.822±.017 (71.68±.43) | | | | | | | | | | |

NOTES:

1. DIMENSIONS GIVEN ACROSS CENTERLINES ARE SYMMETRICAL ABOUT THOSE CENTERLINES WITHIN HALF THE TOTAL TOLERANCES.
2. THIS HOUSING FOR USE WITH SHROUDED TERMINAL 7879.
3. THIS PRODUCT COMPLIES WITH MOLEX PRODUCT SPEC. NO. 7879.
4. SPECIAL SUPPORT MAY BE REQUIRED FOR PRINTED CIRCUIT BOARDS USED WITH 10 OR MORE CIRCUIT CONNECTORS.
5. INSERTION AND WITHDRAWL FORCES RANGE FROM 1.3 TO 1.9 POUNDS PER CIRCUIT.



7880 - N * - *

NO. OF CKTS.

VOID CODE
NO. CORRESPONDS TO
CKT. NO. VOIDED.
MULT. VOIDS START WITH 51.

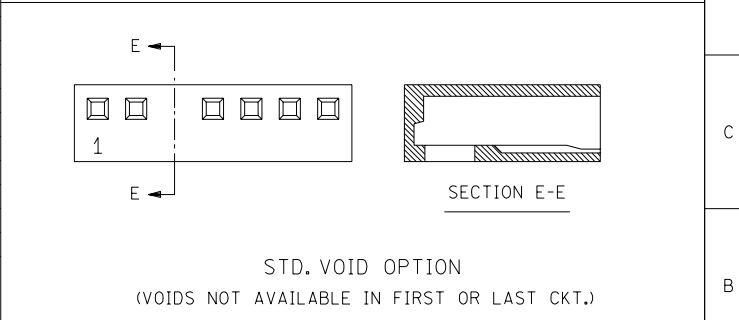
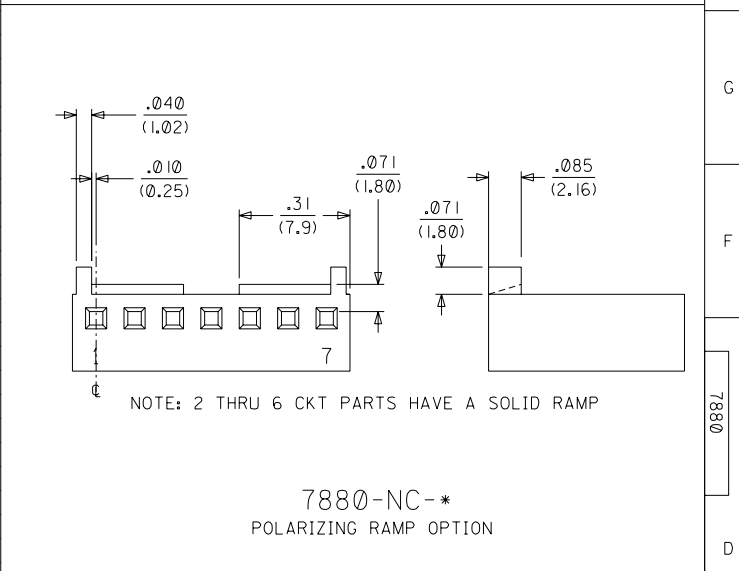
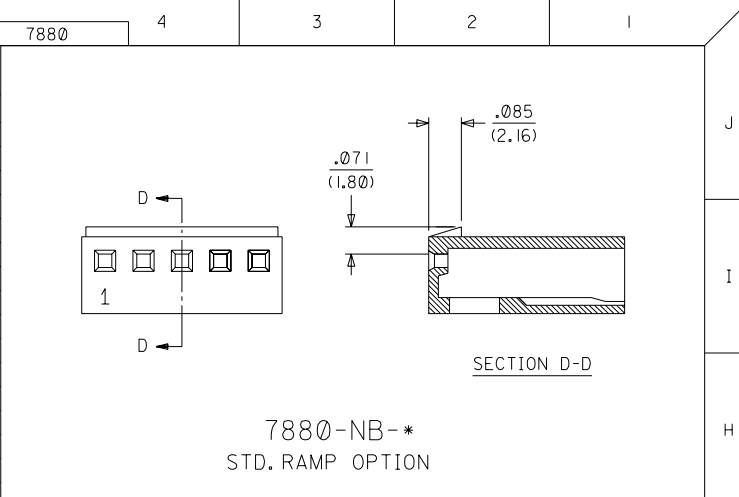
| OPTION CODE | | |
|-------------|-----------|---------------------------|
| OPT. CODE | RAMP | MATERIAL |
| A | NONE | NYLON, 94V-0, COLOR-WHITE |
| B | STD. RAMP | NYLON, 94V-0, COLOR-WHITE |
| C | POL. RAMP | NYLON, 94V-0, COLOR-WHITE |

| | | | |
|--|--------------------------|---|-----------|
| DIMENSIONS SHOWN (METRIC) INCH UNLESS OTHERWISE SPECIFIED TOLERANCES: ANGULAR ± 1/2° | | ▽ = 0 ▼ = 0 REVISE ONLY ON CAD SYSTEM | |
| 3 PLACE ± .010 --- | | TITLE (2.54)/.100 KK, HOUSING FOR SHROUDED CRIMP TYPE TERMINAL | |
| 2 PLACE ± .014 ± 0.25 | | MOLEX INCORPORATED SHEET NO. DATE U.S.A. 1 OF 2 08/24/88 | |
| 1 PLACE --- ± 0.35 | | PART NO. DRWG. NO. SEE CHART SD-7880 | |
| DRAWING INFORMATION | | THIS DRAWING CONTAINS INFORMATION THAT IS PROPRIETARY TO MOLEX INC. AND SHOULD NOT BE USED WITHOUT WRITTEN PERMISSION. | |
| DRWG. BY: GUZIK | CHK'D. BY: PATEL | FILE NAME | DIV. SIZE |
| APP'D. BY: LENZ | SCALE : | | |
| LTR. REVISIONS | LTR. REVISIONS | | |
| | ADD REGRIND UCP2003-1447 | | |
| | 12/26/2002 SAMIEC | | |

| | |
|---|-----|
| 2 | L |
| 1 | L I |

MFG. SH. REV.

| 7880-NA-* | | | 7880-NB-* | | | 7880-NC-* | | |
|------------|----------|-----------|------------|------------|-----------|------------|----------|-----------|
| PART NO. | ENG. NO. | VOID CKT. | PART NO. | ENG. NO. | VOID CKT. | PART NO. | ENG. NO. | VOID CKT. |
| 10-01-2019 | 7880-1A | | 10-11-2013 | 7880-1B | | N/A | 7880-1C | |
| 10-01-2029 | 7880-2A | | 10-11-2023 | 7880-2B | | 10-11-2024 | 7880-2C | |
| 10-01-2039 | 7880-3A | | 10-11-2033 | 7880-3B | | 10-11-2034 | 7880-3C | |
| 10-01-2049 | 7880-4A | | 10-11-2043 | 7880-4B | | 10-11-2044 | 7880-4C | |
| 10-01-2059 | 7880-5A | | 10-11-2053 | 7880-5B | | 10-11-2054 | 7880-5C | |
| 10-01-2069 | 7880-6A | | 10-11-2063 | 7880-6B | | 10-11-2064 | 7880-6C | |
| 10-01-2079 | 7880-7A | | 10-11-2073 | 7880-7B | | 10-11-2074 | 7880-7C | |
| 10-01-2089 | 7880-8A | | 10-11-2083 | 7880-8B | | 10-11-2084 | 7880-8C | |
| 10-01-2099 | 7880-9A | | 10-11-2093 | 7880-9B | | 10-11-2094 | 7880-9C | |
| 10-01-2109 | 7880-10A | | 10-11-2103 | 7880-10B | | 10-11-2104 | 7880-10C | |
| 10-01-2119 | 7880-11A | | 10-11-2113 | 7880-11B | | 10-11-2114 | 7880-11C | |
| 10-01-2129 | 7880-12A | | 10-11-2123 | 7880-12B | | 10-11-2124 | 7880-12C | |
| 10-01-2139 | 7880-13A | | 10-11-2133 | 7880-13B | | 10-11-2134 | 7880-13C | |
| 10-01-2149 | 7880-14A | | 10-11-2143 | 7880-14B | | 10-11-2144 | 7880-14C | |
| 10-01-2159 | 7880-15A | | 10-11-2153 | 7880-15B | | 10-11-2154 | 7880-15C | |
| 10-01-2169 | 7880-16A | | 10-11-2163 | 7880-16B | | 10-11-2164 | 7880-16C | |
| 10-01-2179 | 7880-17A | | 10-11-2173 | 7880-17B | | 10-11-2174 | 7880-17C | |
| 10-01-2189 | 7880-18A | | 10-11-2183 | 7880-18B | | 10-11-2184 | 7880-18C | |
| 10-01-2199 | 7880-19A | | 10-11-2193 | 7880-19B | | 10-11-2194 | 7880-19C | |
| 10-01-2209 | 7880-20A | | 10-11-2203 | 7880-20B | | 10-11-2204 | 7880-20C | |
| 10-01-2219 | 7880-21A | | 10-11-2213 | 7880-21B | | 10-11-2214 | 7880-21C | |
| 10-01-2229 | 7880-22A | | 10-11-2223 | 7880-22B | | 10-11-2224 | 7880-22C | |
| 10-01-2239 | 7880-23A | | 10-11-2233 | 7880-23B | | 10-11-2234 | 7880-23C | |
| 10-01-2249 | 7880-24A | | 10-11-2243 | 7880-24B | | 10-11-2244 | 7880-24C | |
| 10-01-2259 | 7880-25A | | 10-11-2253 | 7880-25B | | 10-11-2254 | 7880-25C | |
| 10-01-2269 | 7880-26A | | 10-11-2263 | 7880-26B | | 10-11-2264 | 7880-26C | |
| 10-01-2279 | 7880-27A | | 10-11-2273 | 7880-27B | | 10-11-2274 | 7880-27C | |
| 10-01-2289 | 7880-28A | | 10-11-2283 | 7880-28B | | 10-11-2284 | 7880-28C | |
| | | | 10-11-2052 | 7880-5B-2 | 2 | | | |
| | | | 10-11-2092 | 7880-9B-2 | 2 | | | |
| | | | 10-11-2105 | 7880-10B-4 | 4 | | | |



| | |
|----------------|----------------|
| SEE SHEET I | SEE SHEET I |
| SEE SHEET I | SEE SHEET I |
| SEE SHEET I | SEE SHEET I |
| SEE SHEET I | SEE SHEET I |
| SEE SHEET I | L SEE SHEET I |
| SEE SHEET I | K3 SEE SHEET I |
| SEE SHEET I | H SEE SHEET I |
| LTR. REVISIONS | LTR. REVISIONS |

DIMENSIONS SHOWN (METRIC) INCH
UNLESS OTHERWISE SPECIFIED
TOLERANCES: ANGULAR ± 1/2°

| | INCH | METRIC |
|---------|--------|--------|
| 3 PLACE | ± .010 | |
| 2 PLACE | ± .014 | ± 0.25 |
| 1 PLACE | | ± 0.36 |

DRAFT WHERE APPLICABLE MUST REMAIN WITHIN DIMENSIONS

DRWG. BY: GUZIK CHK'D. BY: PATEL
APP'D. BY: LENZ SCALE: :

THIS DRAWING CONTAINS INFORMATION THAT IS PROPRIETARY TO MOLEX INC. AND SHOULD NOT BE USED WITHOUT WRITTEN PERMISSION

REVISE ONLY ON CAD SYSTEM

TITLE: (2.54)/.100 KK, HOUSING FOR SHROUDED CRIMP TYPE TERMINAL

MOLEX INCORPORATED U.S.A. SHEET NO. 2 DATE 08/24/88

PART NO. SD-7880 DRWG. NO. SD-7880