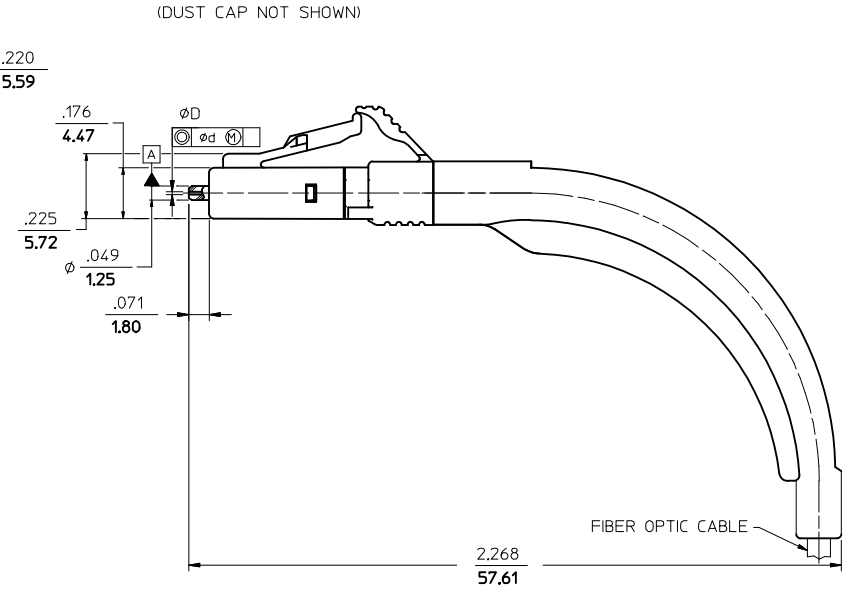
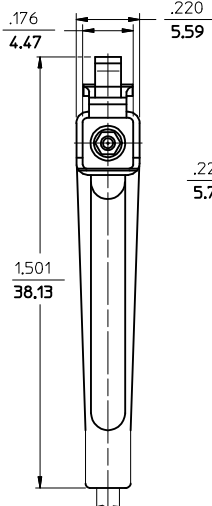


| CONNECTOR P/N | ∅D (Hm) | ∅d (Hm) | CONNECTOR BODY COLOR | BOOT COLOR | CABLE ∅ (mm) | CABLE TYPE |
|---------------|--|---------|----------------------|------------|--------------|-------------|
| 106024-2400 | 125.50 ^{+0.50} / ₀ | 1.0 | BLUE | WHITE | 1.6 | SINGLE MODE |
| 106024-2600 | | | | | 2.0 | |
| 106024-3400 | 127.00 ^{+2.00} / ₀ | 3.0 | BEIGE | WHITE | 1.6 | MULTIMODE |
| 106024-3600 | | | | 2.0 | | |
| 106024-3610 | | | | 2.0 | | |
| 106024-4400 | 125.00 ^{+0.50} / ₀ | 1.0 | BLUE | WHITE | 1.6 | SINGLE MODE |
| 106024-4600 | | | | 2.0 | | |
| 106024-5400 | 126.00 ^{+1.00} / ₀ | 1.0 | BLUE | WHITE | 1.6 | |
| 106024-2610 | | | | BEIGE | 2.0 | |
| 106024-5600 | | | | WHITE | | |
| 106024-5610 | | | | YELLOW | | |
| 106024-5700 | RED | | | | | |
| 106024-6400 | 125.25 ^{+0.50} / ₀ | 1.0 | BLUE | WHITE | 1.6 | |
| 106024-6600 | | | | | 2.0 | |
| 106090-4150 | 125.10-125.50 | 0.5 | BLUE | WHITE | 1.6 | |
| 106090-4170 | | | | | 2.0 | |
| 106090-4180 | | | | | 1.6 | |
| 106090-4190 | 125.51-125.90 | 0.5 | BLUE | WHITE | 1.6 | |
| 106090-2940 | | | | | 2.0 | |
| 106090-2940 | 125.50 ^{+0.50} / ₀ | 0.5 | BLUE | WHITE | 1.6 | |
| 106090-4140 | | | | | 2.0 | |
| 106090-4160 | 125.00 ^{+0.50} / ₀ | 0.5 | BLUE | WHITE | 1.6 | |
| 106090-6140 | | | | | 2.0 | |
| 106090-6160 | | | | | 1.6 | |
| 106090-6170 | 125.25 ^{+0.50} / ₀ | 0.5 | BLUE | YELLOW | 1.6 | |
| 106090-6145 | | | | WHITE | 1.6 | |
| 106090-6165 | | | | 2.0 | | |
| 106090-6175 | | | | YELLOW | 1.6 | |



| ENTER DESCRIPTION EC NO: MF2013-0244 DRWNGKPEVZNER 2012/10/29 CHKD: LGJMIN APPR: LGJMIN 2012/10/31 | QUALITY SYMBOLS | GENERAL TOLERANCES (UNLESS SPECIFIED) <table border="1"> <tr> <th></th> <th>mm</th> <th>INCH</th> </tr> <tr> <td>4 PLACES</td> <td>± .010</td> <td>± .0004</td> </tr> <tr> <td>3 PLACES</td> <td>± .015</td> <td>± .0006</td> </tr> <tr> <td>2 PLACES</td> <td>± .020</td> <td>± .0008</td> </tr> <tr> <td>1 PLACE</td> <td>± .030</td> <td>± .0012</td> </tr> <tr> <td>0 PLACE</td> <td>± .040</td> <td>± .0016</td> </tr> </table> | | mm | INCH | 4 PLACES | ± .010 | ± .0004 | 3 PLACES | ± .015 | ± .0006 | 2 PLACES | ± .020 | ± .0008 | 1 PLACE | ± .030 | ± .0012 | 0 PLACE | ± .040 | ± .0016 | DIMENSION STYLE | SCALE | DESIGN UNITS | THIRD ANGLE PROJECTION |
|---|-----------------|---|--|---------|----------------------------------|----------|---|---------|----------|--------|---------|----------|--------|---------|---------|--------|---------|---------|--------|---------|-----------------|-------|--------------|------------------------|
| | | | mm | INCH | | | | | | | | | | | | | | | | | | | | |
| | 4 PLACES | | ± .010 | ± .0004 | | | | | | | | | | | | | | | | | | | | |
| | 3 PLACES | | ± .015 | ± .0006 | | | | | | | | | | | | | | | | | | | | |
| 2 PLACES | ± .020 | ± .0008 | | | | | | | | | | | | | | | | | | | | | | |
| 1 PLACE | ± .030 | ± .0012 | | | | | | | | | | | | | | | | | | | | | | |
| 0 PLACE | ± .040 | ± .0016 | | | | | | | | | | | | | | | | | | | | | | |
| | IN/MM | 4:1 | INCH | | | | | | | | | | | | | | | | | | | | | |
| | | | DRAWN BY DATE PGIBLIN 2005/09/02 | | TITLE LC CONNECTOR (90D BOOT) | | | | | | | | | | | | | | | | | | | |
| | | | CHECKED BY DATE | | molex | | | | | | | | | | | | | | | | | | | |
| | | | APPROVED BY DATE | | DOCUMENT NO. SD-1060BB-BBBB | | | | | | | | | | | | | | | | | | | |
| | | | MATERIAL NO. SEE TABLE | | SHEET NO. 1 OF 1 | | | | | | | | | | | | | | | | | | | |
| | | | DRAFT WHERE APPLICABLE MUST REMAIN WITHIN DIMENSIONS | | | | THIS DRAWING CONTAINS INFORMATION THAT IS PROPRIETARY TO MOLEX INCORPORATED AND SHOULD NOT BE USED WITHOUT WRITTEN PERMISSION | | | | | | | | | | | | | | | | | |