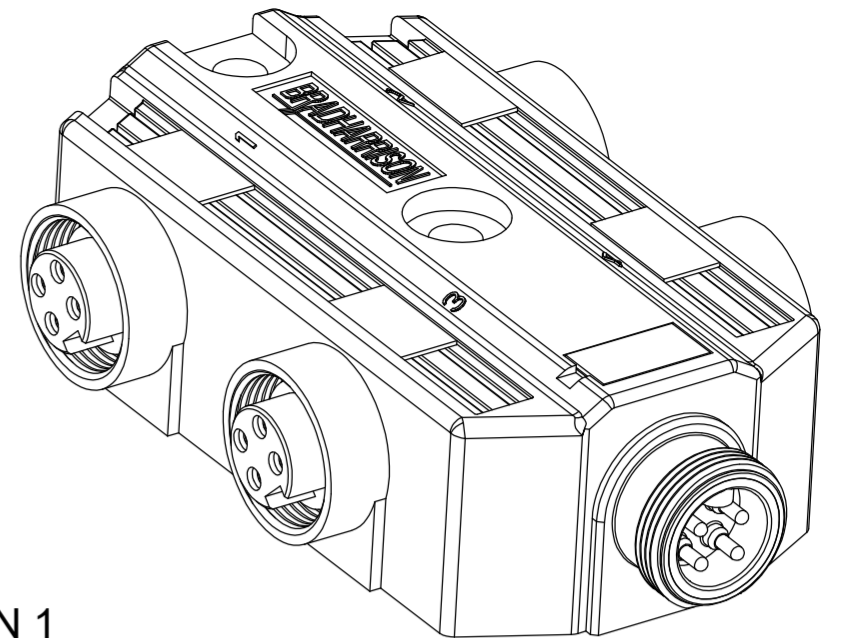
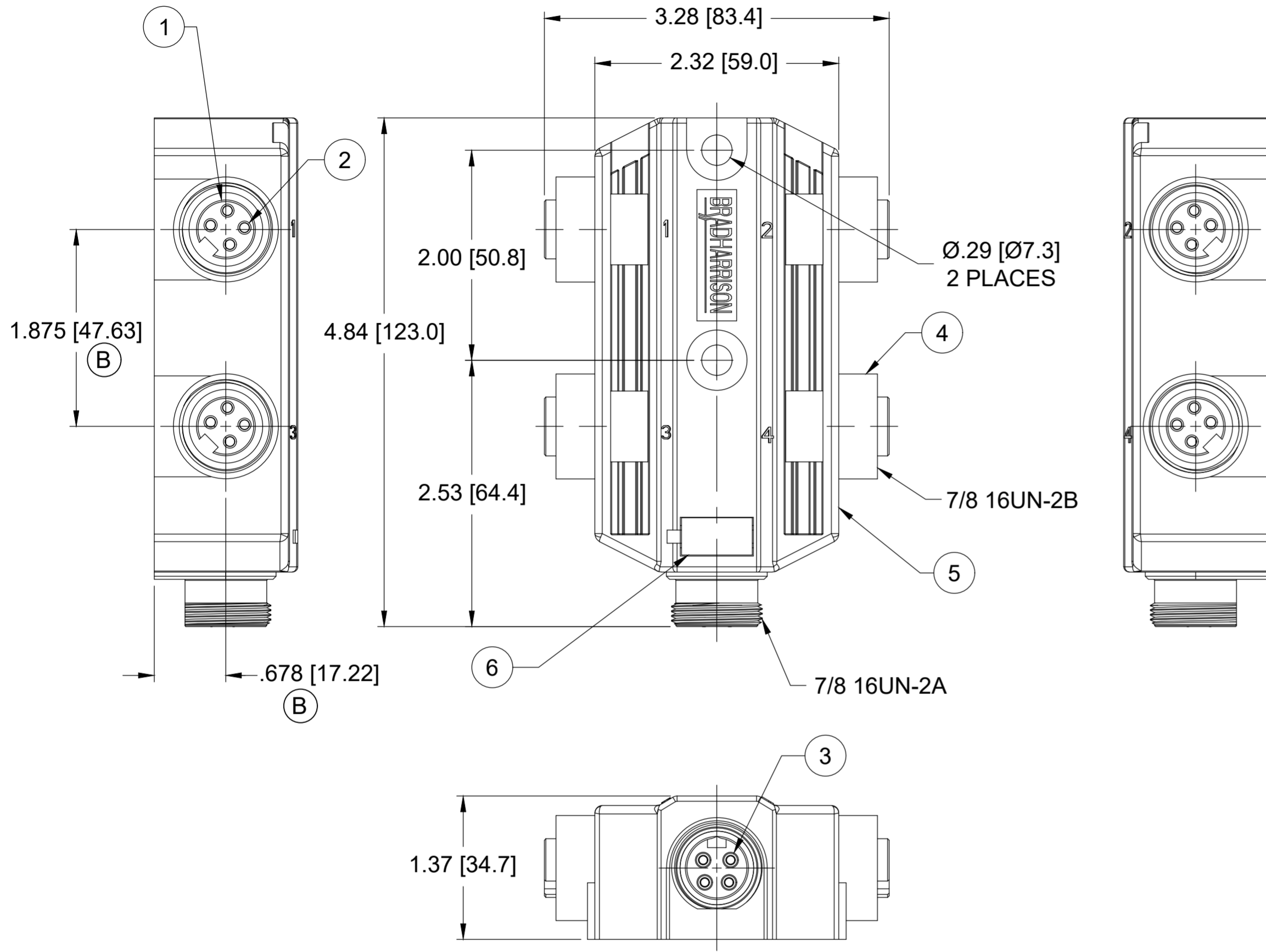
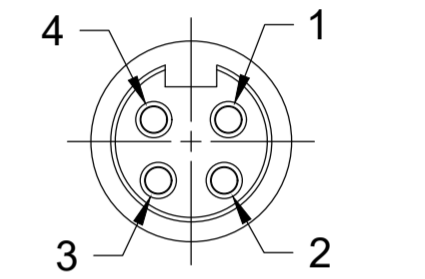
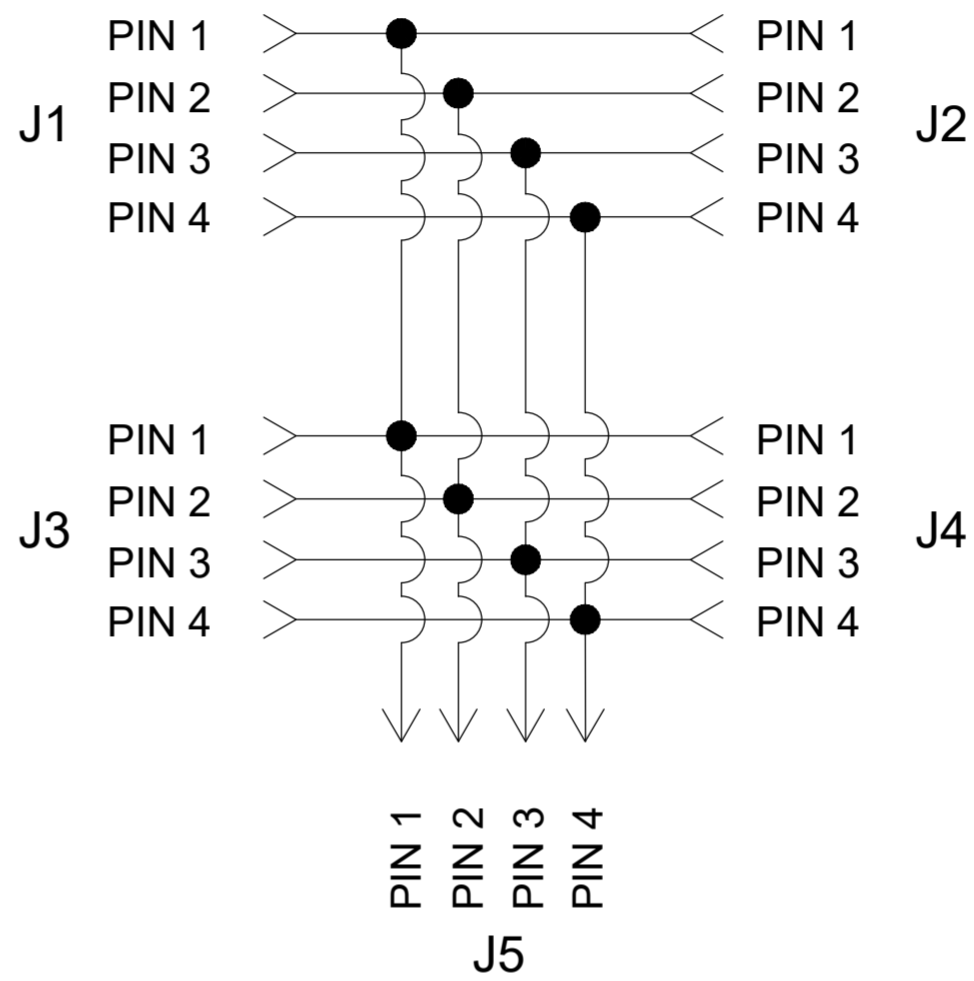


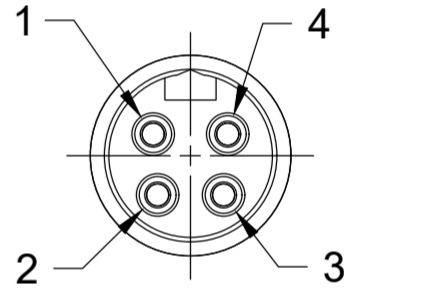
MATERIAL NUMBER	ENGINEERING NUMBER
1300600065	DNAUX4000



SCHEMATIC



FEMALE FACE VIEW



MALE FACE VIEW

NOTES:

- MATERIAL: AS NOTED
- FINISH: AS NOTED
- ELECTRICAL:
VOLTAGE RATING: 600 VAC/VDC
CURRENT: 10A
- TEMP RATING: 0° TO +60°C
- PROTECTION: IP67 (WHEN MATED)
- COUPLING THREAD- AS NOTED
- UL LISTED FILE: E152210 (B)
- ALL DIMENSIONS ARE FOR REFERENCE UNLESS TOLERANCED OR NOTED OTHERWISE

ITEM	COMPONENT	MATERIAL	FINISH
1	INSERT	TPE	YELLOW
2	CONTACT SOCKET	COPPER ALLOY	GOLD OVER NICKEL
3	CONTACT PIN	COPPER ALLOY	GOLD OVER NICKEL
4	RECEPTACLE SHELL	ZINC DIE CAST	BLACK E-COATED
5	HOUSING	PBT	YELLOW
6	LABEL	ABS	WHITE
	POTTING MATERIAL	EPOXY	TRANSLUCENT

THIS DRAWING CONTAINS INFORMATION THAT IS PROPRIETARY TO MOLEX ELECTRONIC TECHNOLOGIES, LLC AND SHOULD NOT BE USED WITHOUT WRITTEN PERMISSION											
FUNCTIONAL SYMBOLS	DIMENSION UNITS	SCALE	CURRENT REV DESC: ITEM#1 WAS PVC. ADDED UL LISTED NO. ADDED DIM.								
	INCH/MM	NTS	<p>molex</p> <p>MINI-CHANGE MPIS, A SIZE, 4 POLE, FEMALE-MALE, 4 PORT DROP, SINGLE KEY, 18 AWG, DEVICENET AUX POWER</p> <p>PRODUCT CUSTOMER DRAWING</p>								
GENERAL TOLERANCES (UNLESS SPECIFIED)		EC NO: 645633									
DIVISIONAL SYMBOLS	4 PLACES	±----	±----	DRWN: KJOZWIK 2010/01/25		APPR: JFMURPHY 2010/01/29		SERIES		DOC TYPE/DOC PART/REVISION	
	3 PLACES	±----	±----	INITIAL REVISION:		SD-130060-010		MATERIAL NUMBER		PSD 001 B	
	2 PLACES	±0.13	±0.01	DRWN: KJOZWIK 2010/01/25		APPR: JFMURPHY 2010/01/29		CUSTOMER		SHEET NUMBER	
	1 PLACE	±0.25	±0.02	DRAFT WHERE APPLICABLE MUST REMAIN WITHIN DIMENSIONS		THIRD ANGLE PROJECTION		DRAWING		1 OF 1	
	0 PLACES	±----	±----	ANGULAR TOL ± 0.5°		C-SIZE		130060		GENERAL MARKET	