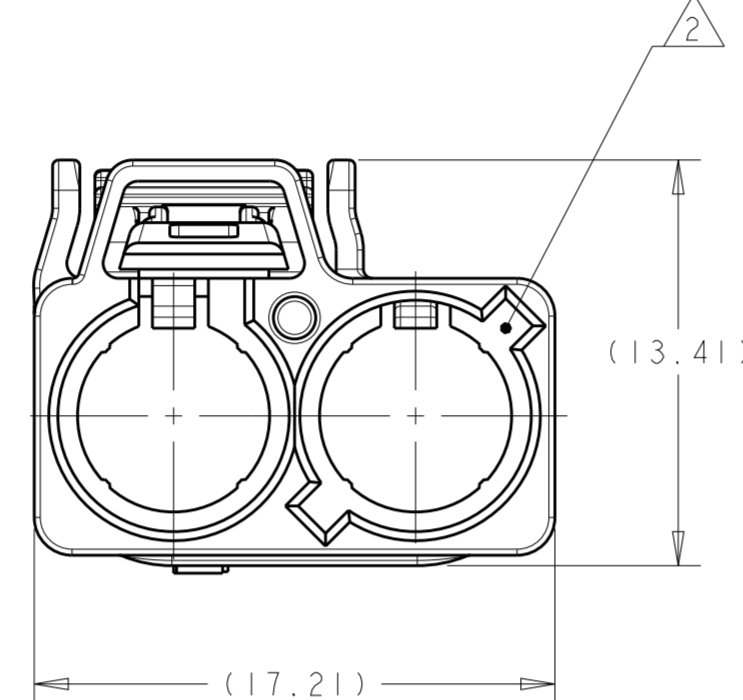
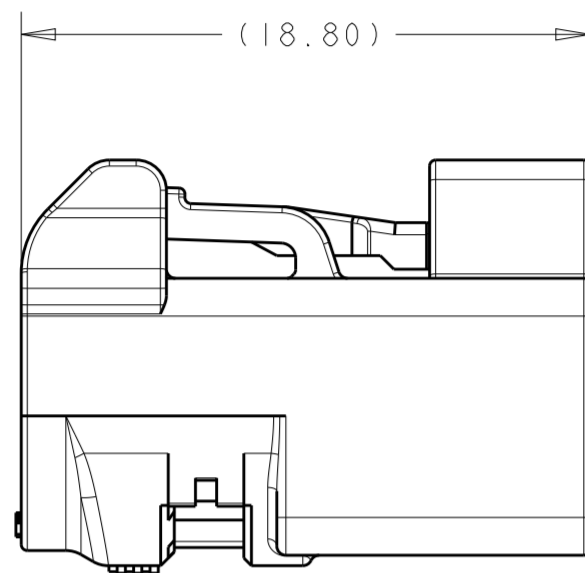
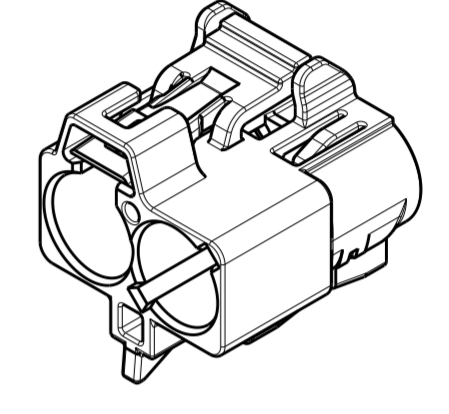
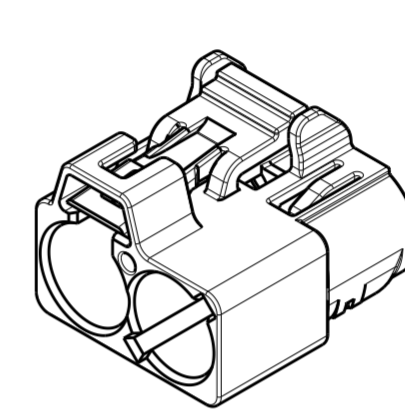


THIS DRAWING IS UNPUBLISHED. RELEASED FOR PUBLICATION 20  
 © COPYRIGHT 20 BY - ALL RIGHTS RESERVED.

REVISIONS				
P	LTR	DESCRIPTION	DATE	APVD
E1		REVISED ECO-14-004713	27MAR2014	KP LV
E2		REVISED ECO-16-001206	28JAN2016	DD LV
E3		ECO-16-010770	20JUL2016	KP LV

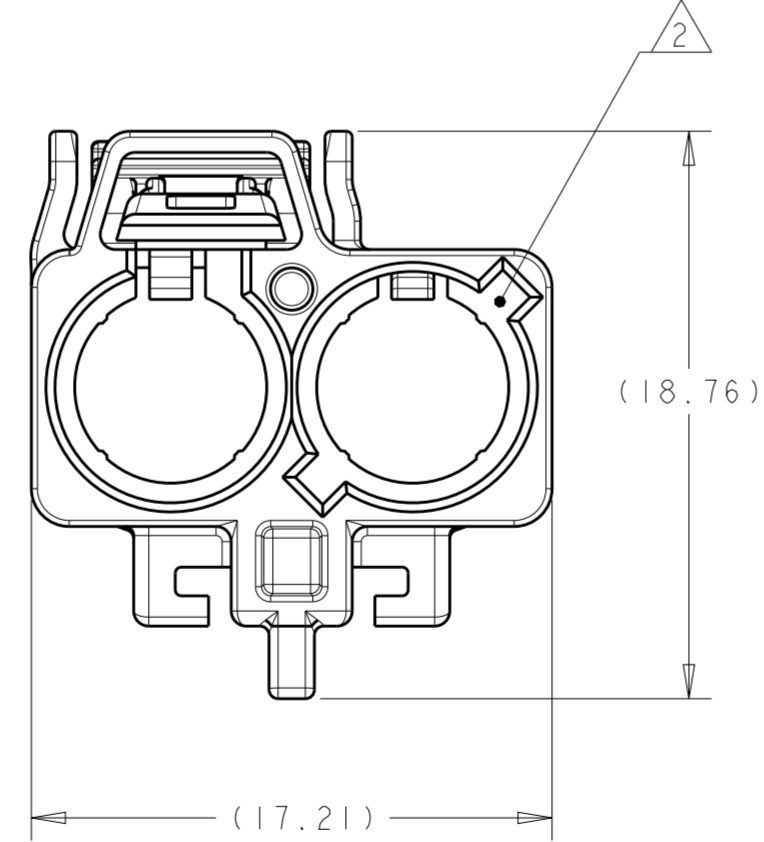
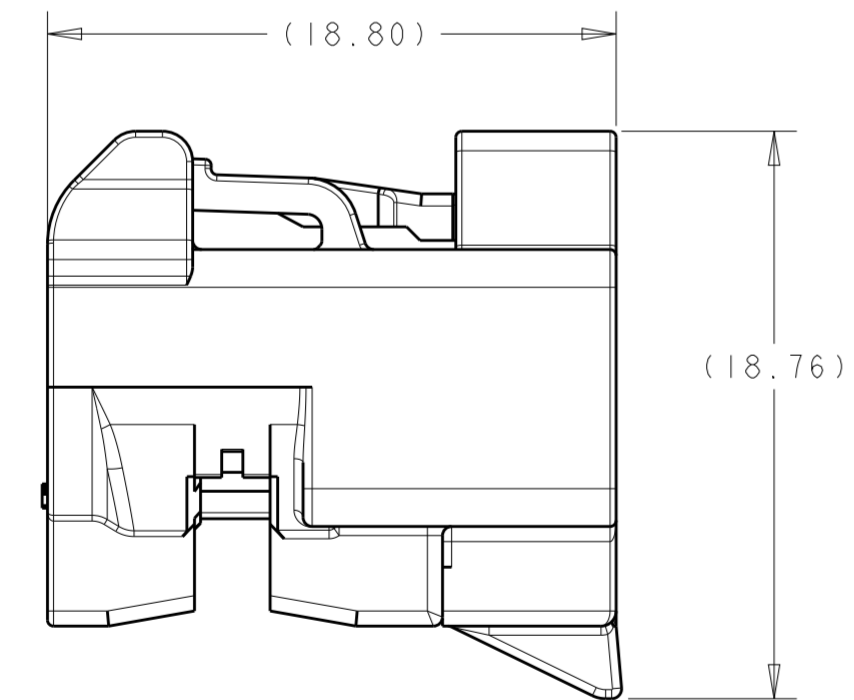


- ① POLYESTER PBT, COLOR: SEE TABLE.
- ② PLUG HOUSING ACCEPTS JACK HOUSINGS MEETING DIN 72594-1, ROAD VEHICLES - RADIO FREQUENCY INTERFACE - DIMENSIONS AND ELECTRICAL REQUIREMENTS.
- ③ PART CREATED WITH MOLDED CLIP SLOT.
- ④ PART HAS NOT BEEN TOOLED CONTACT TE.



ISOMETRIC VIEW  
SCALE 2:1

ISOMETRIC VIEW  
SHOWN WITH CLIP SLOT  
SCALE 2:1



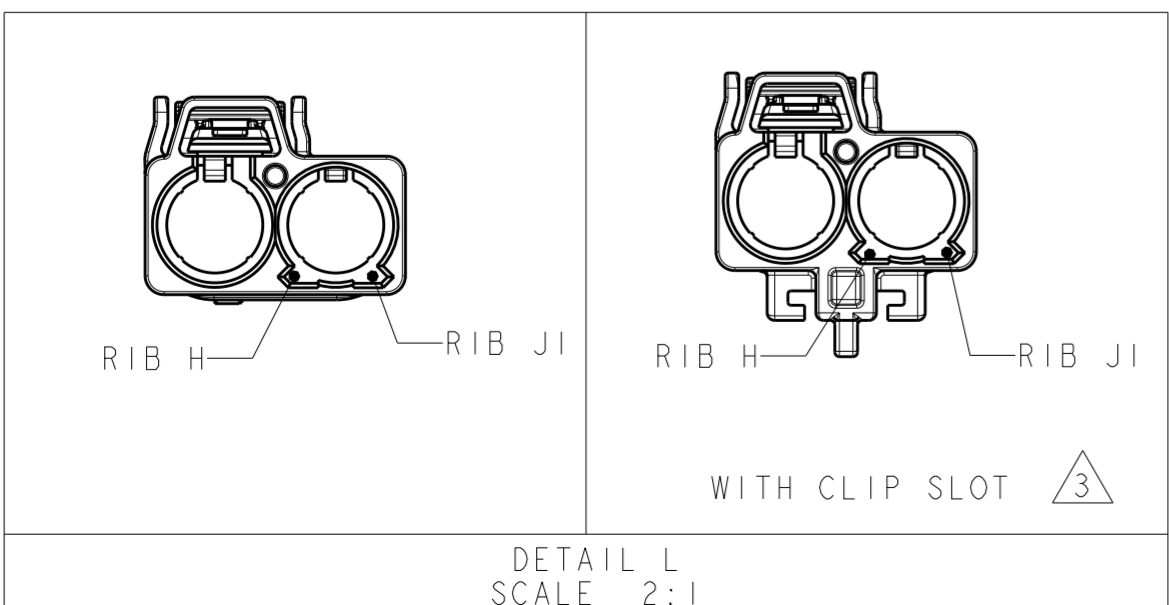
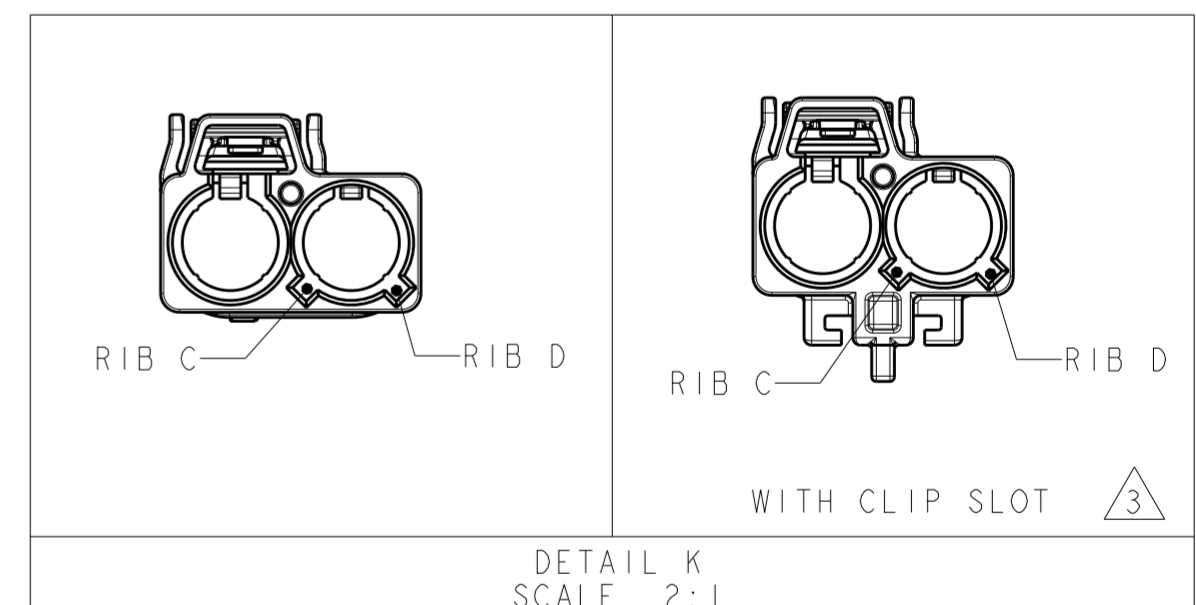
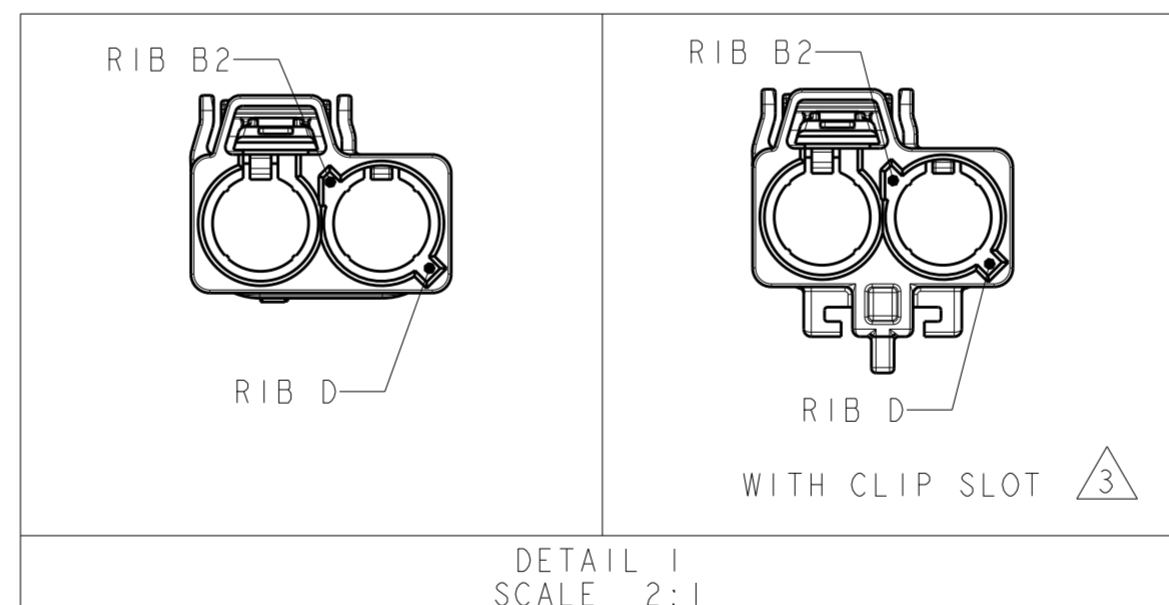
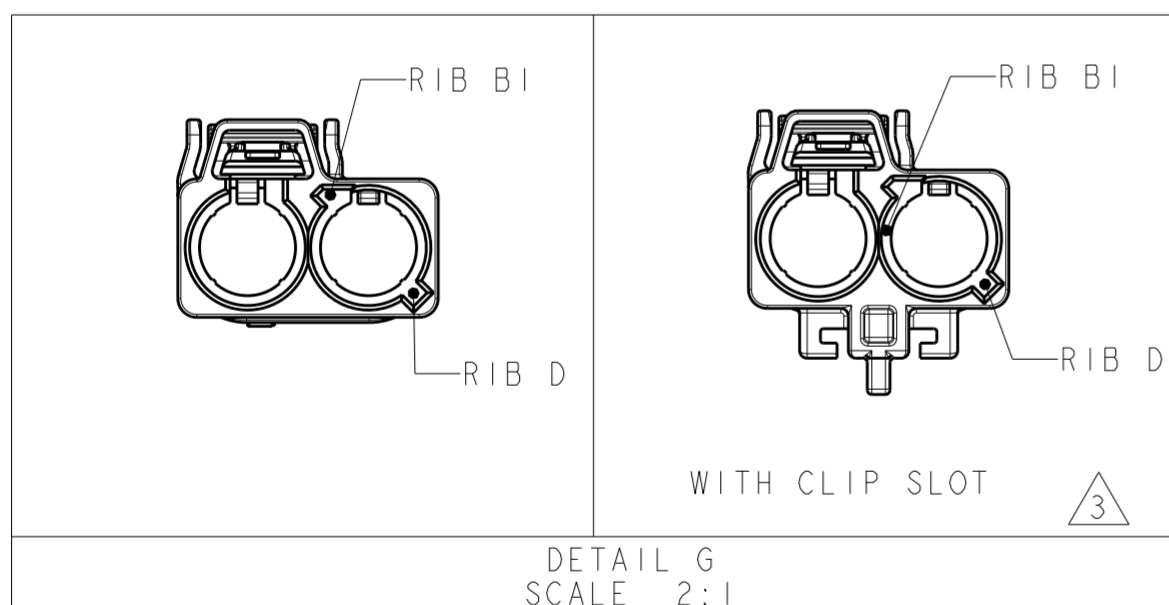
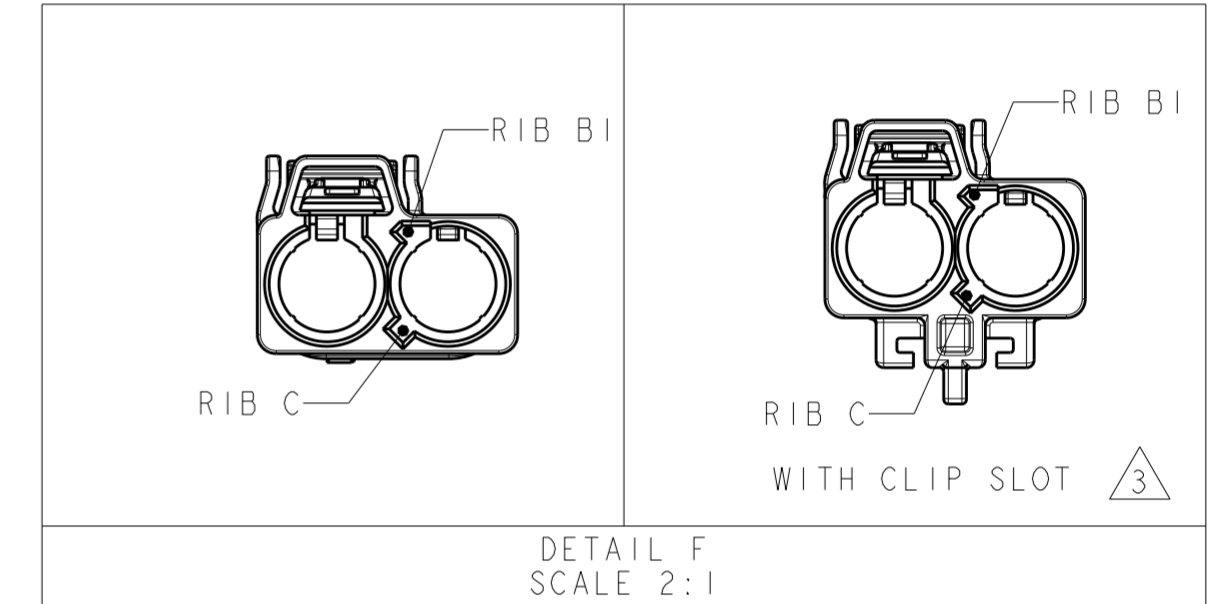
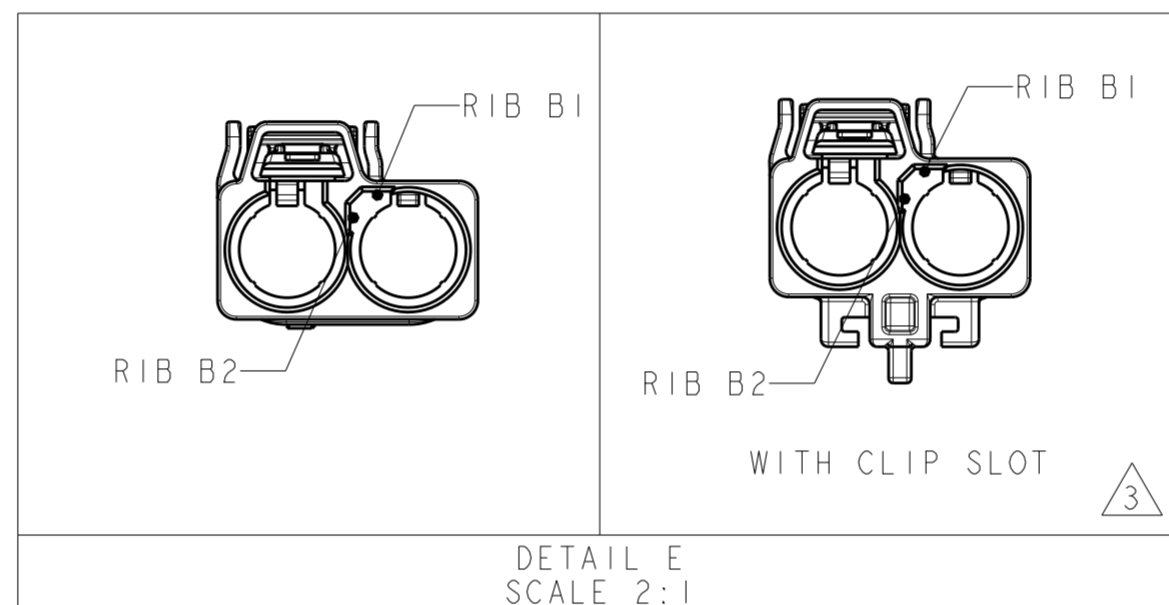
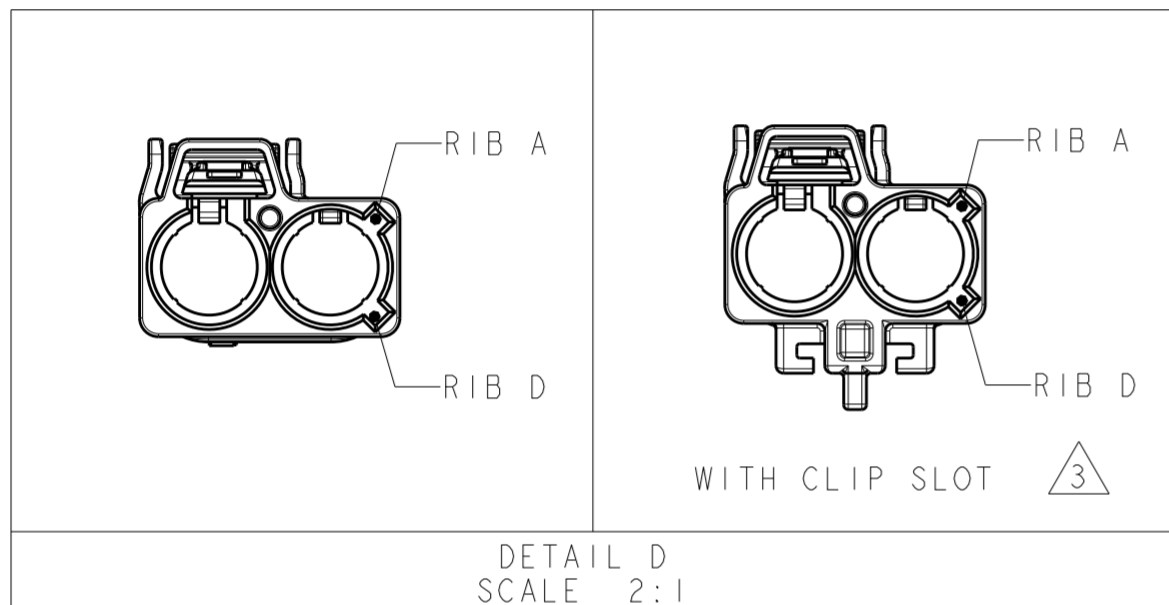
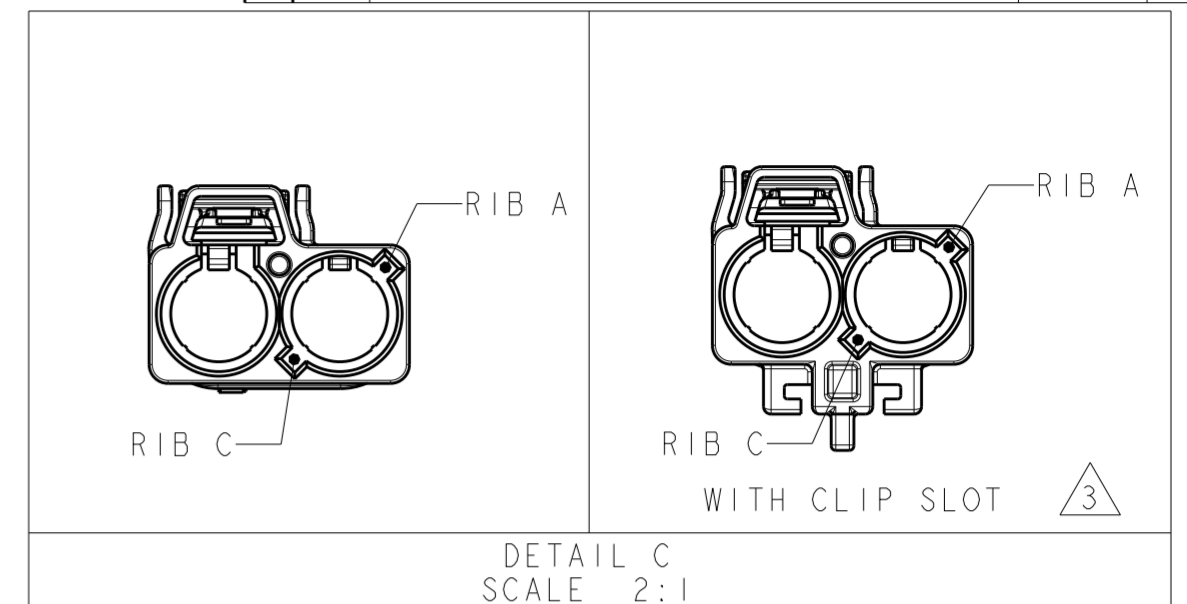
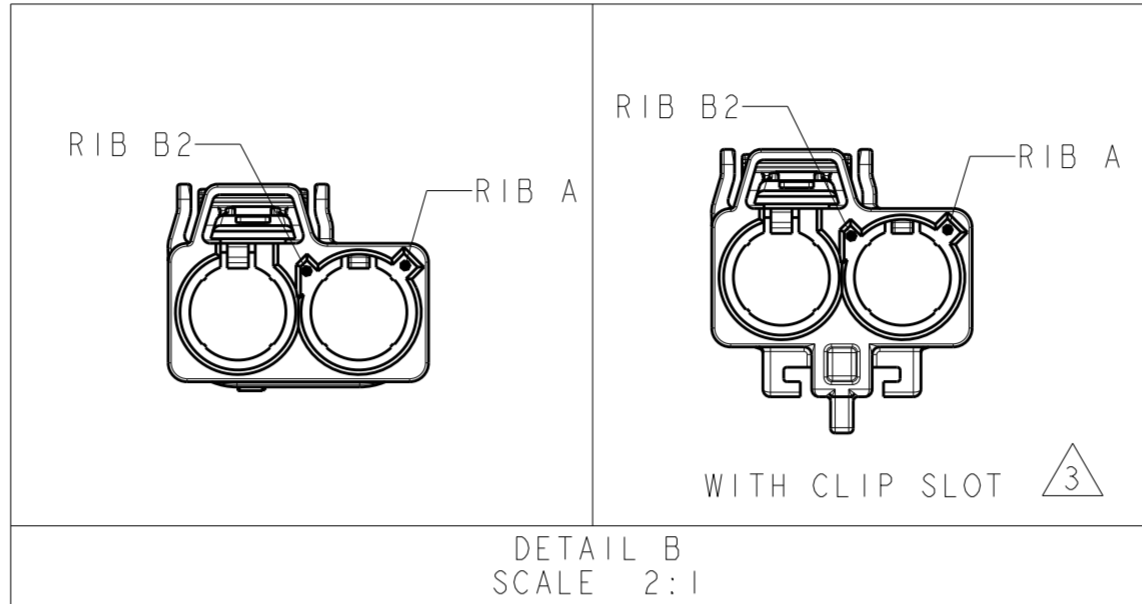
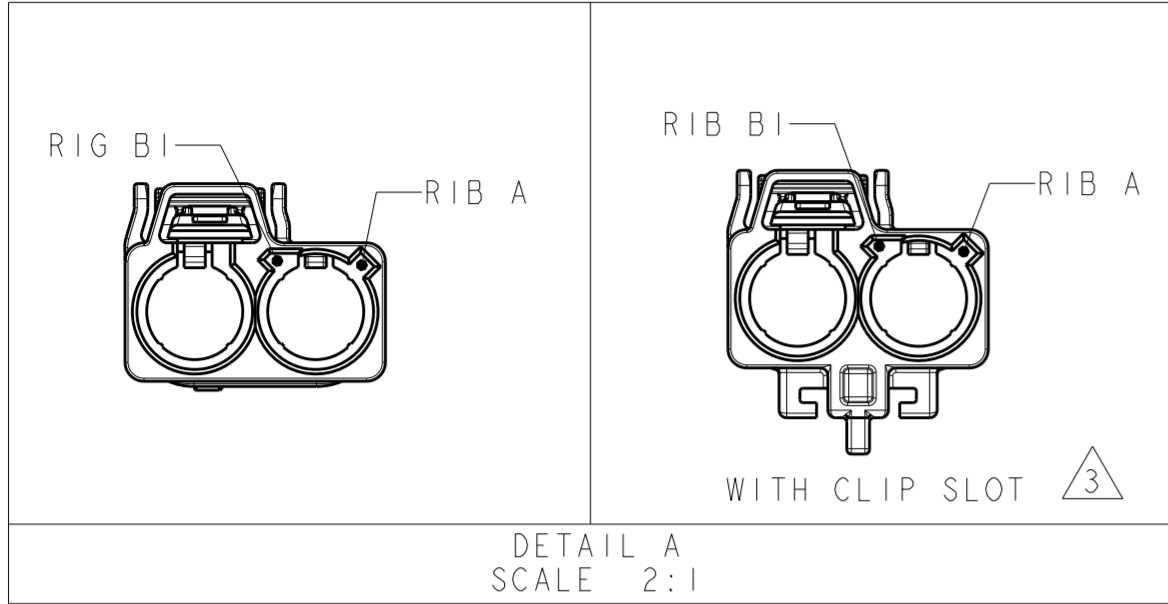
SHOWN WITH OPTIONAL CLIP SLOT

④ ③	PER DETAIL L	L	CARMINE RED	6-1924856-1
③	PER DETAIL K	K	CURRY	6-1924856-0
④ ③	PER DETAIL I	I	BEIGE	5-1924856-9
④ ③	PER DETAIL G	G	BLUE GREY	5-1924856-7
③	PER DETAIL F	F	NUT BROWN	5-1924856-6
④ ③	PER DETAIL E	E	LEAF GREEN	5-1924856-5
③	PER DETAIL D	D	CLARET VIOLET	5-1924856-4
③	PER DETAIL C	C	SIGNAL BLUE	5-1924856-3
③	PER DETAIL B	B	SIGNAL WHITE	5-1924856-2
③	PER DETAIL A	A	BLACK	5-1924856-1
④	PER DETAIL L	L	CARMINE RED	1-1924856-1
	PER DETAIL K	K	CURRY	1-1924856-0
④	PER DETAIL I	I	BEIGE	1924856-9
④	PER DETAIL G	G	BLUE GREY	1924856-7
④	PER DETAIL F	F	NUT BROWN	1924856-6
	PER DETAIL E	E	LEAF GREEN	1924856-5
	PER DETAIL D	D	CLARET VIOLET	1924856-4
	PER DETAIL C	C	SIGNAL BLUE	1924856-3
	PER DETAIL B	B	SIGNAL WHITE	1924856-2
	PER DETAIL A	A	BLACK	1924856-1
	KEYING	CODING REF	HOUSING COLOR	PART NUMBER.

THIS DRAWING IS A CONTROLLED DOCUMENT.		DWN K PETERSON 26AUG2004	TE Connectivity	
		CHK L VARSIK 26AUG2004		
DIMENSIONS: mm		APVD L VARSIK 26AUG2004	NAME PLUG HOUSING, 2 POSITION, 8.0mm,	
TOLERANCES UNLESS OTHERWISE SPECIFIED: 0 PLC ± 1 PLC ± 2 PLC ± 3 PLC ± 4 PLC ± ANGLES ± FINISH		PRODUCT SPEC -	RESTRICTED TO	
MATERIAL - ①		APPLICATION SPEC 114-13157	SIZE A200779	DRAWING NO C-1924856
		WEIGHT -	SCALE 4:1	SHEET 1 OF 2
		CUSTOMER DRAWING	REV E3	

THIS DRAWING IS UNPUBLISHED. RELEASED FOR PUBLICATION 20  
 © COPYRIGHT 20 BY - ALL RIGHTS RESERVED.

REVISIONS				
P	LTR	DESCRIPTION	DATE	APVD
-		SEE SHEET 1	-	-



THIS DRAWING IS A CONTROLLED DOCUMENT.

DIMENSIONS:	TOLERANCES UNLESS OTHERWISE SPECIFIED:	DWN	26 AUG 2004
mm	0 PLC ±	K PETERSON	
	1 PLC ±	CHK	26 AUG 2004
	2 PLC ±	L VARSIK	
	3 PLC ±	APVD	26 AUG 2004
	4 PLC ±	L VARSIK	
	ANGLES ±	PRODUCT SPEC	
	FINISH	APPLICATION SPEC	
MATERIAL		114-13157	
		WEIGHT	
		CUSTOMER DRAWING	

STE TE Connectivity

NAME: PLUG HOUSING, 2 POSITION, 8.0mm,

SIZE: A2 CAGE CODE: 00779 DRAWING NO: C-1924856 RESTRICTED TO: -

SCALE: 4:1 SHEET: 2 OF 2 REV: E3