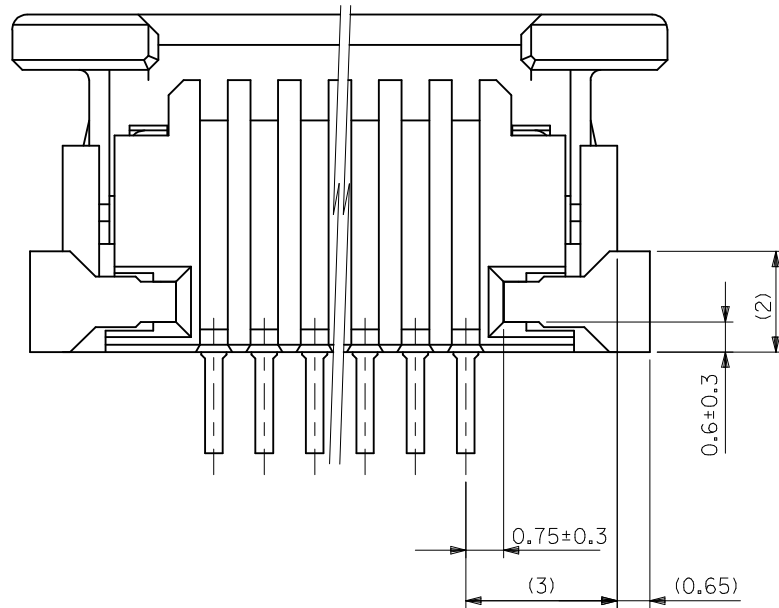


- 注記 NOTES**
- △ 接点部までの嵌合長さ。 LENGTH TO CONTACT POINT.
 - 2. 使用材料 MATERIAL
 - ハウジング : 46ナイロン, UL94V-0
 - ハウジング : 46NYLON, UL94V-0
 - アクチュエータ : PPS, UL94V-0
 - アクチュエータ : PPS, UL94V-0
 - ターミナル : リン青銅 (t=0.25)
 - ターミナル : PHOS-BRO.(t=0.25)
 - メッキ : Sn-Pb(9:1), 下地Cu
 - メッキ : Sn-Pb(9:1), Cu(UNDER PLATING)
 - 金具 : 銅合金 (t=0.25)
 - 金具 : COPPER ALLOY (t=0.25)
 - メッキ : Sn-Pb(9:1), 下地Cu
 - メッキ : Sn-Pb(9:1), Cu(UNDER PLATING)
 - △ パターンはくり止め用金具。 FITTING NAIL FOR PREVENTION OF PEELING OF P.C.B.PATTERN.
 - 4. エンボステープ梱包時は、アクチュエータがロックした状態とする。 WHEN CONNECTOR IS SHIPPED, ACTUATOR SHOULD BE LOCKED.

35	31.2	29	52271-3017	30
31	27.2	25	-2617	26
29	25.2	23	-2417	24
28	24.2	22	-2317	23
22	18.2	16	-1717	17
20	16.2	14	-1517	15
18	14.2	12	-1317	13
16	12.2	10	-1117	11
15	11.2	9	-1017	10
14	10.2	8	-0917	9
13	9.2	7	-0817	8
10	6.2	4	52271-0517	5
C	B	A	ENG. NO.	種数 CKT.

REVISED EC NO: J2016-1029 DRWN: SKITAZAWA 2016/04/04 CHKD: APPR: TKSUJHARA01 2016/04/15	GENERAL TOLERANCES (UNLESS SPECIFIED)		DIMENSION STYLE MM ONLY		SCALE ---	DESIGN UNITS METRIC	THIRD ANGLE PROJECTION
	0.25 UNDER	UNDER	±0.2	DRAWN BY TNIITSU	DATE 1996/10/15	TITLE 1.0 FPC CONN ZIF SMT (BOTTOM CONTACT)	
DESCRIPTION REV Z	0.25 OVER	0.5 UNDER	±0.2	CHECKED BY MFUKUSHIMA	DATE 1997/07/14		DOCUMENT NO. SD-52271-042
	0.5 OVER	1.0 UNDER	±0.2	APPROVED BY KMORIKAWA	DATE 2011/02/22		
	1.0 OVER	10 UNDER	±0.2	MATERIAL NO.	SEE CHART		
	10 OVER	30 UNDER	±0.25	SIZE A3	THIS DRAWING CONTAINS INFORMATION THAT IS PROPRIETARY TO MOLEX ELECTRONIC TECHNOLOGIES, LLC AND SHOULD NOT BE USED WITHOUT WRITTEN PERMISSION		
	30 OVER		±0.3			SHEET NO. 1 OF 2	
	ANGULAR		±3 °	DRAFT WHERE APPLICABLE MUST REMAIN WITHIN DIMENSIONS			

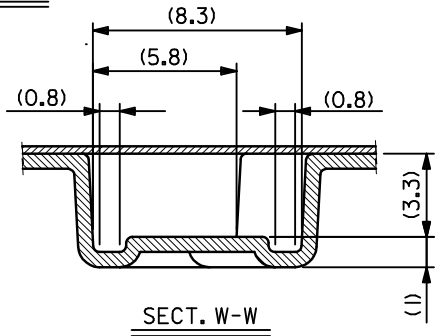
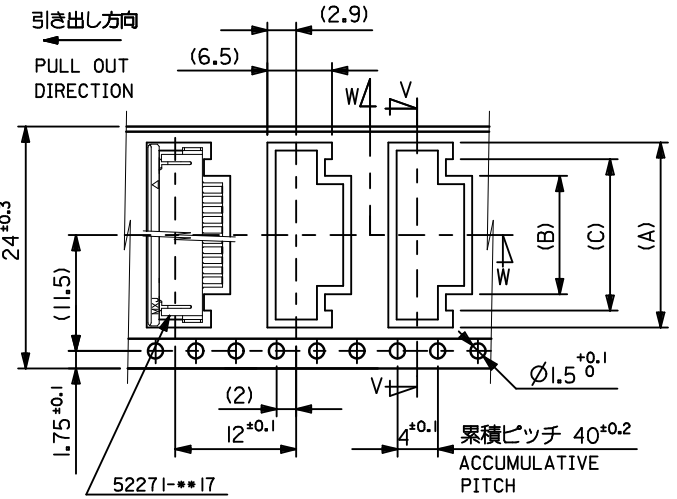
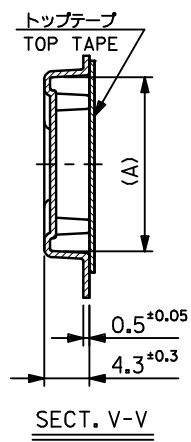
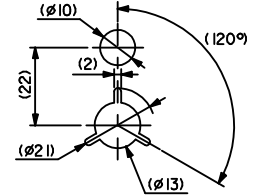
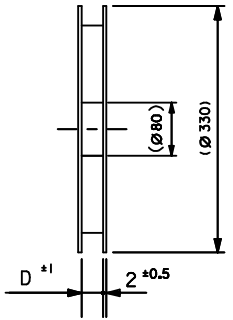
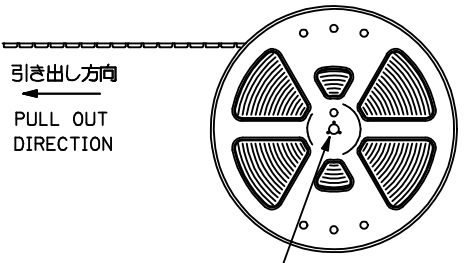
10 9 8 7 6 5 4 3 2 1



下面図

SEE SHEET 1 OF 2 EC NO: J2016-1029 DRWNSKI:TAZAWA 2016/04/04 CHKD: APPR:TKUJHARA01 2016/04/15	GENERAL TOLERANCES (UNLESS SPECIFIED)			DIMENSION STYLE MM ONLY		SCALE ---	DESIGN UNITS METRIC	THIRD ANGLE PROJECTION	
	0.25 UNDER	UNDER	±0.2	DRAWN BY	DATE	TITLE			
	0.25 OVER	0.5 UNDER	±0.2	TNIITSU	1996/10/15	1.0 FPC CONN ZIF SMT (BOTTOM CONTACT)			
	0.5 OVER	1.0 UNDER	±0.2	CHECKED BY	DATE	<div style="text-align: center; font-weight: bold; font-size: 1.2em;">molex</div> DOCUMENT NO. SD-52271-042 SHEET NO. 2 OF 2			
	1.0 OVER	10 UNDER	±0.2	MFUKUSHIMA	1997/07/14				
10 OVER	30 UNDER	±0.25	APPROVED BY	DATE	THIS DRAWING CONTAINS INFORMATION THAT IS PROPRIETARY TO MOLEX ELECTRONIC TECHNOLOGIES, LLC AND SHOULD NOT BE USED WITHOUT WRITTEN PERMISSION				
30 OVER		±0.3	KMORIKAWA	2011/02/22					
ANGULAR	±3 °		MATERIAL NO.		SEE SHEET 1 OF 2				
DRAFT WHERE APPLICABLE MUST REMAIN WITHIN DIMENSIONS			SIZE A3						

9 8 7 6 5 4 3 2 1

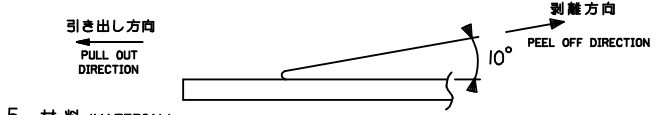


NOTES

- 製品番号 52271-***17 の梱包状態はアクチュエータがロックした状態とする。
詳細寸法については 図面 SD-52271-042 を参照下さい。
IN THE PACKAGE, ACTUATOR OF PART NO. 52271-***17 SHOULD BE LOCKED RE DETAILED DIMENSIONS, SEE SD-52271-042
- 梱包数量：1000個/リール
NUMBER OF CONNECTORS：1000 PCS/REEL
- リードテープ長さ LEAD TAPE LENGTH

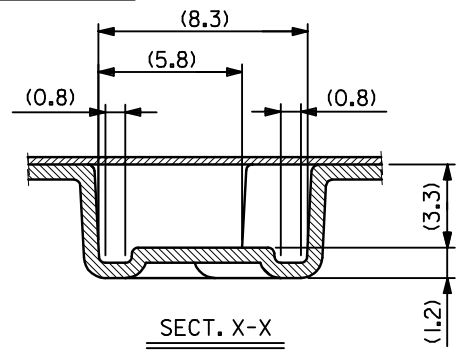
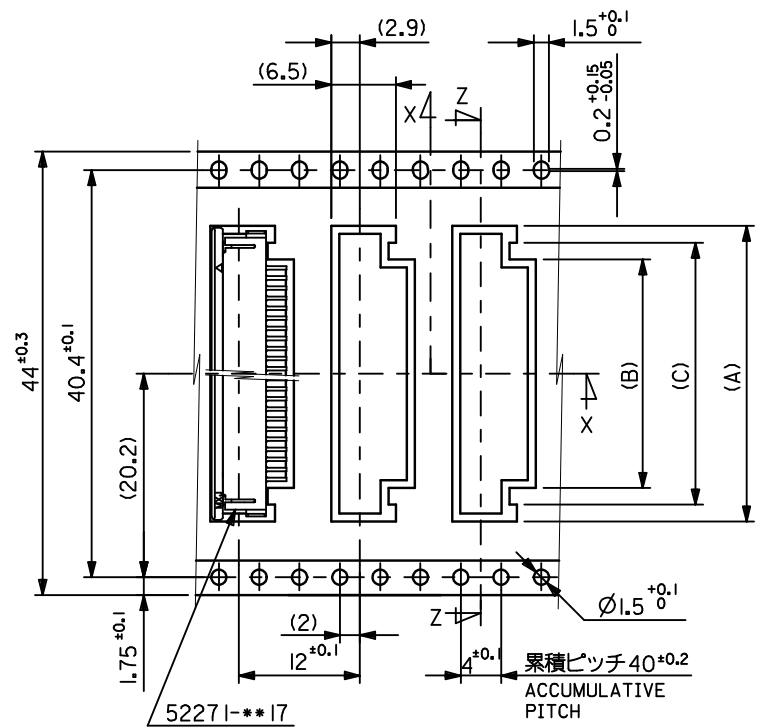
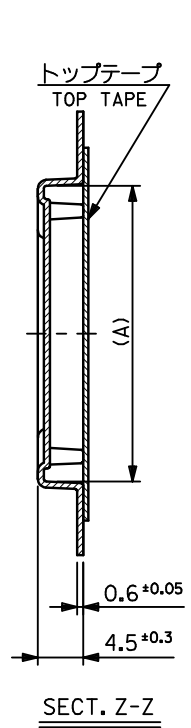
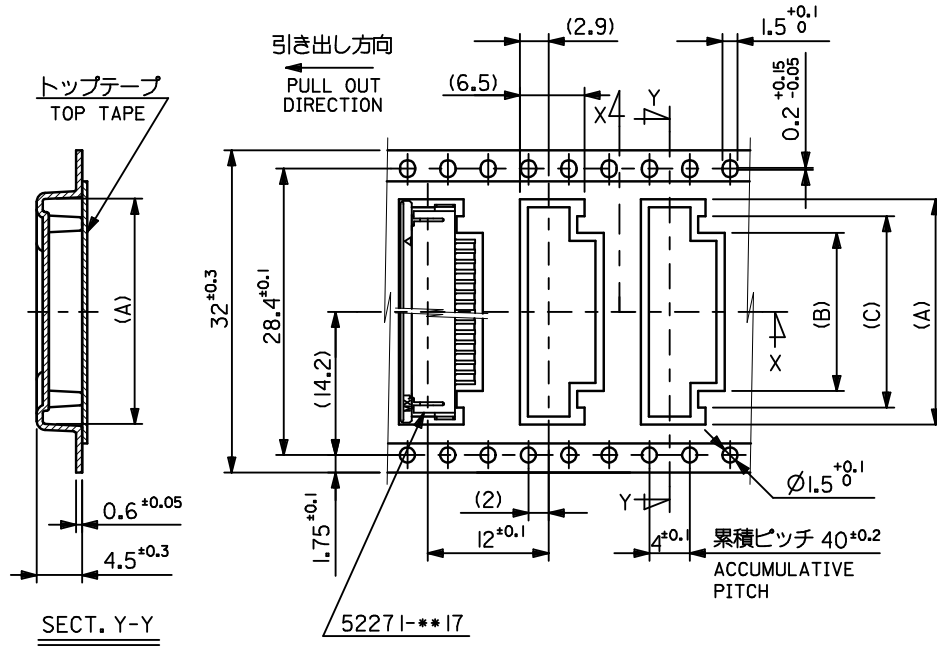
トップテープ リーダー部 TOP TAPE LEADER PART	トップテープ 未接着部 TOP TAPE NON-BONDED PART
175 ±25	25 ±5
- トップテープの剥離強度：60gf MAX. (剥離方向は下図参照)
尚、本規格値は、出荷時に適用。(但し、輸送時に剥離が発生しない事。)
PEELING OFF FORCE OF TOP TAPE：60gf MAX.
(PEELING DIRECTION AS SHOWN IN FOLLOWING FIG.)
THIS REQUIREMENT SHOULD BE APPLIED AT SHIPMENT
PEEL OFF SHOULD NOT BE ALLOWED, DURING TRANSPORTATION

リーダー部 (空部) LEADER PART (EMPTY)	部品挿入部 COMPONENT SUPPLIER	末端部 (空部) TAIL PART (EMPTY)
120 ±20		150 ±40
- 材料 (MATERIAL)
キャリアテープ (CARRIER TAPE)：ポリプロピレン (POLYPROPYLENE)
トップテープ (TOP TAPE)：PET, PE, PEF
リール (REEL)：ポリスチレン (PS) <リサイクル材を含む>
POLYSTYREN (PS) <RECYCLE MATERIAL CONTAINED>



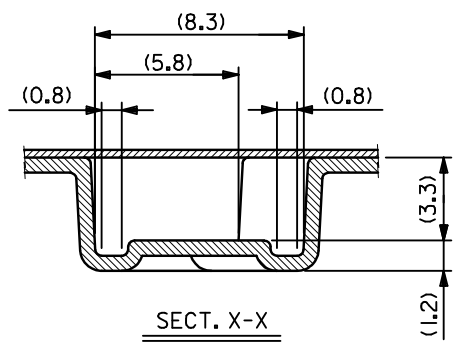
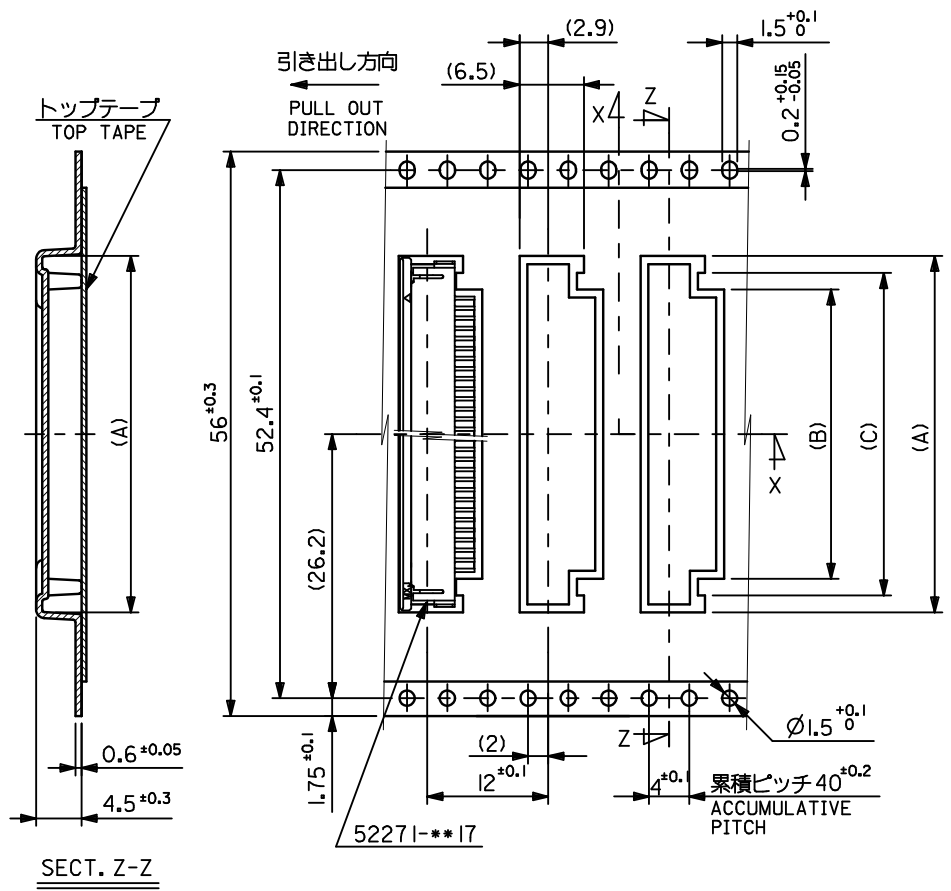
24	25.5	15	11.4	18.3	52271-1190	11	
		14	10.4	17.3	-1090	10	
		13	9.4	16.3	-0990	9	
		12	8.4	15.3	-0890	8	
		9	5.4	12.3	52271-0590	5	
キャリアテープ幅 CARRIER TAPE WIDTH		D	(C)	(B)	(A)	MATERIAL NO.	極数 CKT.

REVISED EC NO: J2016-1029 DRWN: SKITAZAWA 2016/04/04 CHKD: APPR: IKUSUHARA01 2016/04/15	GENERAL TOLERANCES (UNLESS SPECIFIED)		DIMENSION STYLE MM ONLY		SCALE ---		DESIGN UNITS METRIC		THIRD ANGLE PROJECTION	
	0.25 UNDER	UNDER	±0.2	DRAWN BY	DATE	TITLE				
	0.25 OVER	0.5 UNDER	±0.2	STADOKORO	1988/09/29	EMBOSSED TAPE PACKAGE FOR 52271-***17				
	0.5 OVER	1.0 UNDER	±0.2	CHECKED BY	DATE	molex				
	1.0 OVER	10 UNDER	±0.2	SKUNISHI	2000/12/20					
10 OVER	30 UNDER	±0.25	APPROVED BY	DATE	DOCUMENT NO.		SHEET NO.			
30 OVER		±0.3	KMORIKAWA	2011/02/22	SD-52271-043		1 OF 3			
ANGULAR ±3 °			SEE CHART		THIS DRAWING CONTAINS INFORMATION THAT IS PROPRIETARY TO MOLEX ELECTRONIC TECHNOLOGIES, LLC AND SHOULD NOT BE USED WITHOUT WRITTEN PERMISSION					
DRAFT WHERE APPLICABLE MUST REMAIN WITHIN DIMENSIONS			SIZE A3							



44	45.5	30	26.4	33.35	52271-2690	26
		28	24.4	31.35	-2490	24
		27	23.4	30.35	-2390	23
		21	17.4	24.35	-1790	17
32	33.5	19	15.4	22.35	-1590	15
		17	13.4	20.35	52271-1390	13
		(C)	(B)	(A)	MATERIAL NO.	種数 CKT.

REVISED EC NO.: J2016-1029 DRWN: SKITAZAWA 2016/04/04 CHKD: APPR: KUSUHARA01 2016/04/15	GENERAL TOLERANCES (UNLESS SPECIFIED)		DIMENSION STYLE MM ONLY		SCALE ---	DESIGN UNITS METRIC	THIRD ANGLE PROJECTION
	0.25 UNDER	UNDER	±0.2	DRAWN BY STADOKORO	DATE 1988/09/29	TITLE EMBOSSD TAPE PACKAGE FOR 52271-**-17	
	0.25 OVER	0.5 UNDER	±0.2	CHECKED BY SKUNISHI	DATE 2000/12/20		
	0.5 OVER	1.0 UNDER	±0.2	APPROVED BY KMORIKAWA	DATE 2011/02/22		
	1.0 OVER	10 UNDER	±0.2	MATERIAL NO.	DOCUMENT NO.	SD-52271-043	SHEET NO. 2 OF 3
10 OVER	30 UNDER	±0.25	SEE CHART				
30 OVER		±0.3	DRAFT WHERE APPLICABLE MUST REMAIN WITHIN DIMENSIONS		THIS DRAWING CONTAINS INFORMATION THAT IS PROPRIETARY TO MOLEX ELECTRONIC TECHNOLOGIES, LLC AND SHOULD NOT BE USED WITHOUT WRITTEN PERMISSION		
	ANGULAR	±3 °	SIZE A3				



REVISED	EC NO: J2016-1029	DRWN: SKITAZAWA	2016/04/04	CHKD:	APPR: KUSUHARA01	2016/04/15	DESCRIPTION	GENERAL TOLERANCES (UNLESS SPECIFIED)	56	57.5	34	30.4	37.35	52271-3090	30
5								0.25 UNDER UNDER ±0.2	56	D	(C)	(B)	(A)	MATERIAL NO.	種数 CKT.
								0.25 OVER 0.5 UNDER ±0.2	DIMENSION STYLE			SCALE		DESIGN UNITS	THIRD ANGLE PROJECTION
								0.5 OVER 1.0 UNDER ±0.2	MM ONLY			---		METRIC	⊙ □
								1.0 OVER 10 UNDER ±0.2	DRAWN BY	DATE	TITLE				
								10 OVER 30 UNDER ±0.25	STADOKORO	1988/09/29	EMBOSSD TAPE PAKEGE FOR 52271-**17				
								30 OVER ±0.3	CHECKED BY	DATE					
								ANGULAR ±3 °	SKUNISHI	2000/12/20					
									APPROVED BY	DATE					
									KMORIKAWA	2011/02/22					
									MATERIAL NO.	DOCUMENT NO.				SHEET NO.	
									SEE CHART	SD-52271-043				3 OF 3	
									SIZE	THIS DRAWING CONTAINS INFORMATION THAT IS PROPRIETARY TO MOLEX ELECTRONIC TECHNOLOGIES, LLC AND SHOULD NOT BE USED WITHOUT WRITTEN PERMISSION					
									A3						