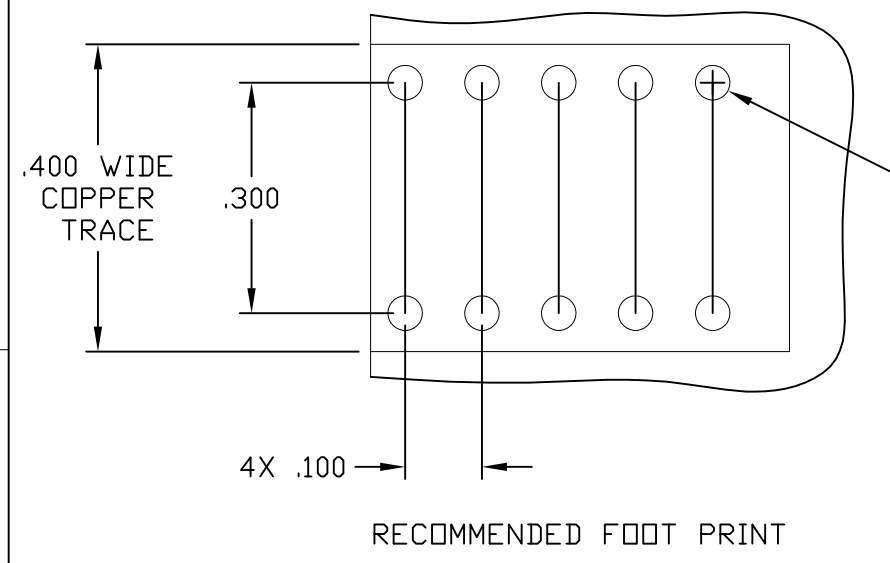


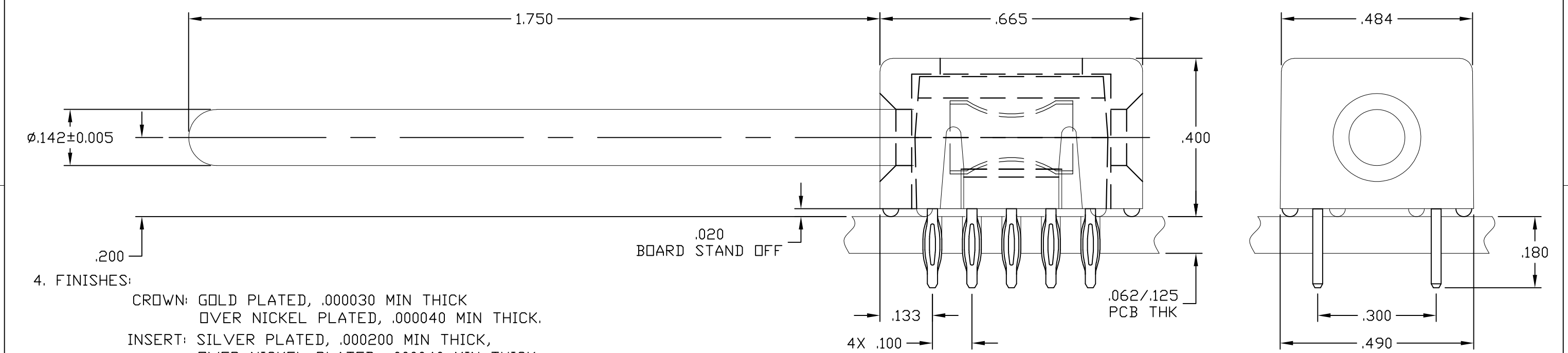
THIS DRAWING IS UNPUBLISHED. RELEASED FOR PUBLICATION
 © COPYRIGHT - By - ALL RIGHTS RESERVED.

LOC	DIST	REVISIONS					
GP	00	P	LTR	DESCRIPTION	DATE	DWN	APVD
		C		REV ER ECO-11-007678	11JUL2011	RG	DO



RECOMMENDED PRINTED CIRCUIT HOLE
 COMPLIANT PRESS FIT
 DRILLED HOLE: Ø.0453±.0005
 COPPER PLATE: .0010 - .0020 (PER SURFACE)
 TIN PLATE: .00002 MINIMUM (PER SURFACE)
 10X

RECOMMENDED FOOT PRINT



4. FINISHES:

- CROWN: GOLD PLATED, .000030 MIN THICK
OVER NICKEL PLATED, .000040 MIN THICK.
- INSERT: SILVER PLATED, .000200 MIN THICK,
OVER NICKEL PLATED, .000040 MIN THICK.
- COMPLIANT TAIL: SILVER PLATED, .000200 MIN THICK,
OVER NICKEL PLATED, .000040 MIN THICK.
- CONTACT: SILVER PLATED, .000200 MIN THICK,
OVER NICKEL PLATED, .000040 MIN THICK.

3. MATERIALS:

- HOUSING: THERMOPLASTIC, GLASS REINFORCED, COLOR-BLACK
UL94V-0 FLAMMABILITY RATED
- CROWN: COPPER ALLOY
- INSERT: ZINC ALLOY, CASTING
- CONTACT: BRASS ALLOY
- COMPLIANT TAIL: PHOSPHOR BRONZE ALLOY

2. ITEMS PROVIDED TO THIS SPECIFICATION SHALL BE IDENTIFIED ON THE CONTAINER WITH THE FOLLOWING INFORMATION:
 PART NUMBER & DATE CODE OF MANUFACTURE.

1. PART NUMBER CHANGES AND OR DESIGN CHANGES AFFECTING ITEM INTERCHANGEABILITY REQUIRE PRIOR TE APPROVAL AND AUTHORIZATION BY REVISION TO THIS DRAWING.

5. FOR APPLICATIONS UTILIZING AN IMMERSION SILVER PLATED PCB. CONSULT TYCO ENGINEERING.

6643447-1
 PART NUMBER

THIS DRAWING IS A CONTROLLED DOCUMENT.		DWN	12JAN2011	TE Connectivity			
		CHK	HA/GRZYBOWSKI				
DIMENSIONS: INCHES		TOLERANCES UNLESS OTHERWISE SPECIFIED:		NAME			
		0 PLC	± -	APVD			
		1 PLC	± -	12JAN2011			
		2 PLC	± .02	ORRIS			
		3 PLC	± .010	FLICKINGER/ORRIS			
		4 PLC	± -	PRODUCT SPEC			
		ANGLES	± .5	APPLICATION SPEC			
MATERIAL		FINISH		SIZE	CAGE CODE	DRAWING NO	RESTRICTED TO
				—	—	A3 00779 C-6643447	—
CUSTOMER DRAWING				SCALE	SHEET	REV	
				4:1	1 OF 1	C	