

W48M- X X X X XX

| SWITCH FUNCTION CODE | SWITCH FUNCTION DESCRIPTION |
|----------------------|---|
| 1 | MECHANICAL, MOMENTARY, SOLDER TERMINAL |
| 2 | MECHANICAL, MAINTAINED, SOLDER TERMINAL |
| 5 | MECHANICAL, MOMENTARY, P.C. TERMINAL |
| 6 | MECHANICAL, MAINTAINED, P.C. TERMINAL |
| A | MACHANICAL, MOMENTARY, WIRELEADS |
| B | MACHANICAL, MAINATINED, WIRELEADS |

| HOUSING MATERIAL CODE | HOUSING DECSRIPTION |
|-----------------------|---------------------------|
| 1 | STAINLESS STEEL |
| 2 | ZINC ALLOY, CHROME PLATED |
| 3 | AL ALLOY, ANODIZED BLACK |

| ILLU. TYPE CODE | ILLUMINATION TYPE DESCRIPTION |
|-----------------|-----------------------------------|
| 0 | NON-ILLUMINATION |
| 1 | CENTER SPOT ILLUMINATION |
| 2 | RING ILLUMINATION |
| 3 | POWER/STANDBY SYMBOL ILLUMINATION |

| LED COLOR CODE | LED COLOR |
|----------------|-----------|
| N | NONE |
| A | AMBER |
| R | RED |
| Y | YELLOW |
| B | BLUE |
| G | GREEN |
| W | WHITE |
| RB | RED/BLUE |
| RG | RED/GREEN |

| LED INLET VOLTAGE CODE | | LED INLET VOLTAGE |
|------------------------|-----------|-------------------|
| NON-WIRELEADS | IF BLANK* | (SEE NOTE) |
| | 05 | 5V (SEE NOTE3) |
| WIRELEADS | IF BLANK* | (SEE NOTE) |
| | 05 | 5V (SEE NOTE3) |
| | 12 | 12V |
| | 24 | 24V |

MECHANICAL CHARACTERISTICS:
 SWITCH CIRCUITRY: SPST-NO-DB (CONTACT FORM X)
 SWITCH ACTION: MOMENTARY AND MAINTAINED (PER CHART)
 BUTTON TRAVEL: 2.3mm [.090] NOMINAL
 OPERATING FORCE: 306g [3N] NOMINAL
 CONTACT BOUNCE: 1ms NOMINAL
 PANEL THICKNESS: 0.5 - 4.5mm [.020 - .177]
 CONTACTS: GOLD PLATED
 NUT TORQUE FORCE: MAX11.5 kgf-cm [10 LB-in]

ENVIROMENTAL SPECIFICATIONS:
 ACTUATOR INGRESS PROTECTION: IP67

OPERATING TEMPERATURE:
 NON-ILLUMINATION TYPE: -40°C to +85°C [-40°F to +185°F]
 ILLUMINATION TYPE: -40°C to +85°C [-40°F to +185°F]

ELECTRICAL SPECIFICATIONS:
 CURRENT RATING:
 MOMENTARY: 250mA@12VDC, 100K cycles
 150mA@28VDC, 150K cycles
 100mA@48VDC, 100K cycles
 10mA@12VDC, 1,000K cycles

MAINTAINED : 50,000 CYCLES NOMINAL

DIELECTRIC STRENGTH: 1,000VAC
 INSULATION RESISTANCE: 1G OHM
 CONTACT RESISTANCE:
 50m OHMS MAX INITIAL(NON-WIRELEADS)
 250m OHMS MAX INITIAL(WIRELEADS)

LED SPECIFICATIONS:
 SEE LED SPECIFICATION

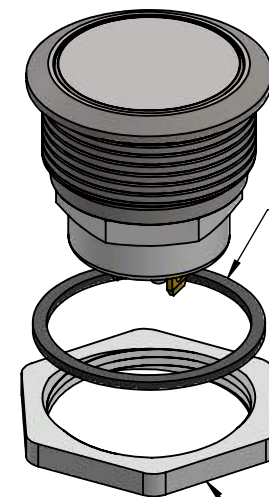
NOTE
 1.CURRENT LIMITING RESISTOR IS REQUIRED TO LIMIT LED FORWARD CURRENT TO 20mA
 2. SUPPLY HEX NUT AND SEALING WASHER BULK PACKED.
 3.INNER RESISTOR ONLY FOR LED :RED / BLUE / GREEN / WHITE.

| LED SPECIFICATION | | | | | |
|-------------------|------------------|---------|------------------------|-----------|-----------|
| LED CODE | LED SINGLE COLOR | Vf(VDC) | If (mA) | CIRCUITRY | |
| | | TYP. | | | |
| R | RED | 2.0 | 20 | | |
| A | AMBER | 2.0 | 20 | | |
| Y | YELLOW | 2.0 | 20 | | |
| G | GREEN | 3.0 | 20 | | |
| B | BLUE | 3.1 | 20 | | |
| W | WHITE | 3.3 | 20 | | |
| LED CODE | BICOLOR LED | | Vf(VDC) | If (mA) | CIRCUITRY |
| | COLOR1 | COLOR2 | TYP. | | |
| RB | RED | BLUE | 2.0(RED) 3.3(BLUE) | 20 | |
| RG | RED | GREEN | 2.0(RED) 3.4(GREEN) | 20 | |

NOTE:
 Hand Soldering Temperature (4mm above from Body) : 320°C for 3 seconds

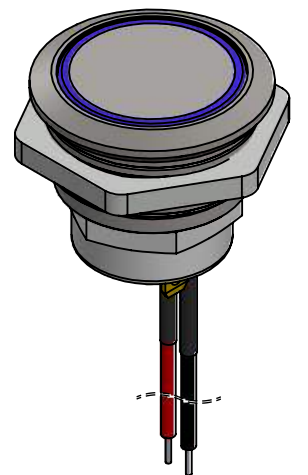
| WIRELEADS SPECIFICATION | | | | | |
|-------------------------|-------------------------|-------------|------|-----|-------|
| WIRELEADS TYPE | WIRELEADS SPECIFICATION | SW TERMINAL | | LED | |
| | | / | O | + | - |
| ILLUMINATION | AWG26 / UL1007 | BLUE | BLUE | RED | BLACK |
| NON-ILLUMINATION | | BLUE | BLUE | -- | -- |

NON-ILLUMINATION TYPE

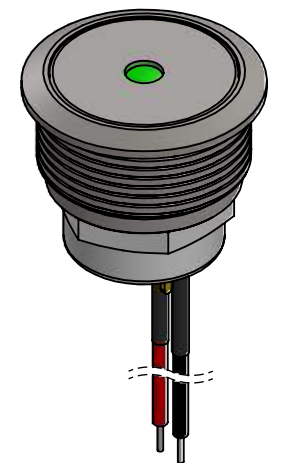


SPECIAL HEX NUT
 HEX 22.1, M19*P1.0
 T=2.2
 (SUPPLIED IN BULK)

RING ILLUMINATION TYPE



CENTER SPOT ILLUMINATION



| | | | |
|--|----------------------|---|--|
| DWG TYPE SALES DRAWING | DRAWN <i>K.Y.</i> | TOLERANCES: UNLESS OTHERWISE NOTED X.X ± 0.5 X.XX ± 0.25 ANGULAR ± 5° | DWG TITLE W48M-MECHANICAL MOMENTARY/MAINTAIN, NONE/CENTER SPOT/ POWER STANDBY SYMBOL ILLUMINATION |
| STATUS RELEASE | REVIEW | THIRD ANGLE PROJECTION | DWG NO. W48M-1,2,5,6,A,B |
| <small>This document is the intellectual property of ITW Electronic Business Asia Co., Limited and may contain confidential, proprietary, privileged information protected by law. Neither this document nor any information it contains can be reproduced, transformed to any other format, or distributed, without written permission by ITW Electronic Business Asia Co., Limited. 本文件為安達維百電股份有限公司之智慧財產，非經許可不得翻取、複製、轉變成其他形式使用或散佈</small> | | DATE 2017/8/26 | REF: 48M-1,2,5,6,A,B |

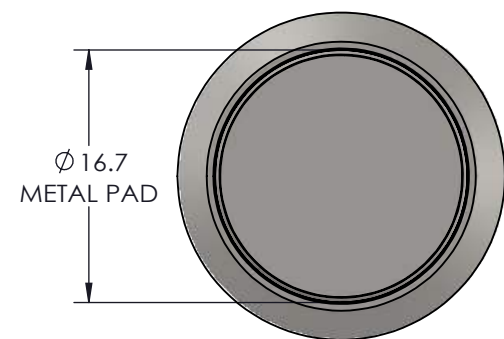
| | | | |
|--|------------|--------------|----------|
| <input checked="" type="checkbox"/> 管制文件 | Unit mm | SCALE 3:2 | REV 7 |
| <input type="checkbox"/> 非管制文件 | | | |

ITW SWITCH LUMEX

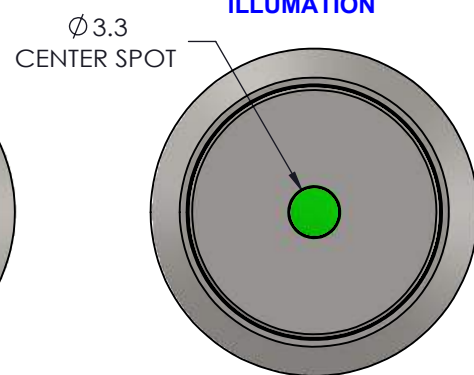
RoHS Compliant

SHEET 1 OF 3

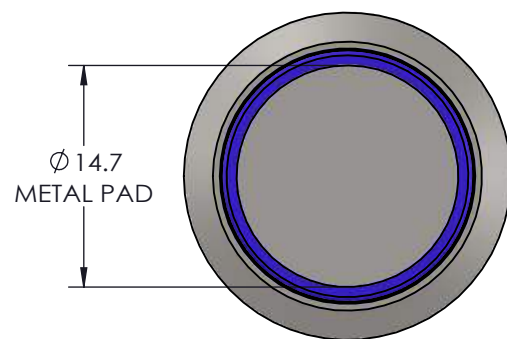
NONE ILLUMINATION



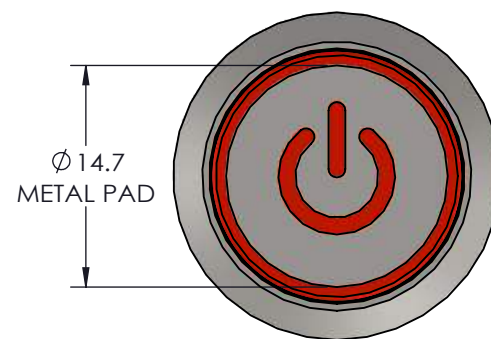
CENTER SPOT ILLUMINATION



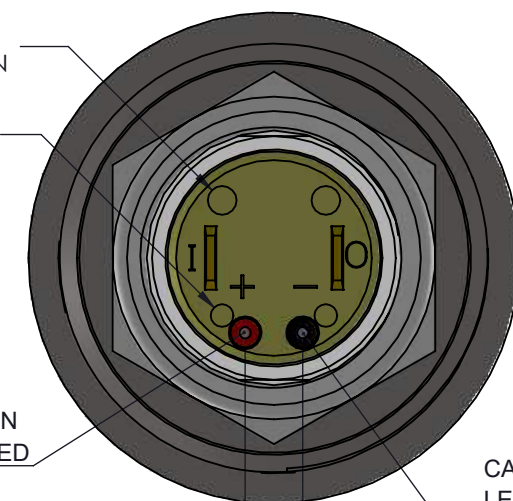
RING ILLUMINATION



POWER/STANDBY SYMBOL ILLUMINATION



Ø 1.3(X2)
ALIGNMENT PIN
Ø 1.0(X2)
STOPPER PIN



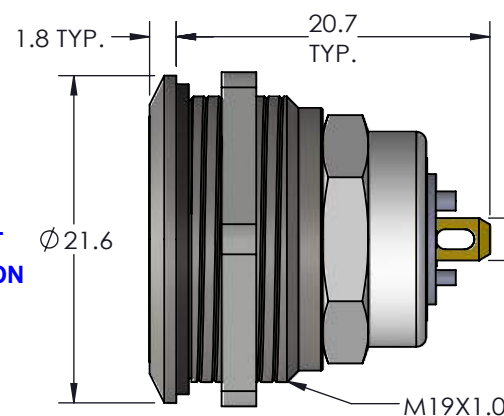
ANODE(+)
LED WIRE
INSULATION
COLOR : RED

CATHODE(-)
LED WIRE
INSULATION
COLOR : BLACK

2.54
LED TERMINALS

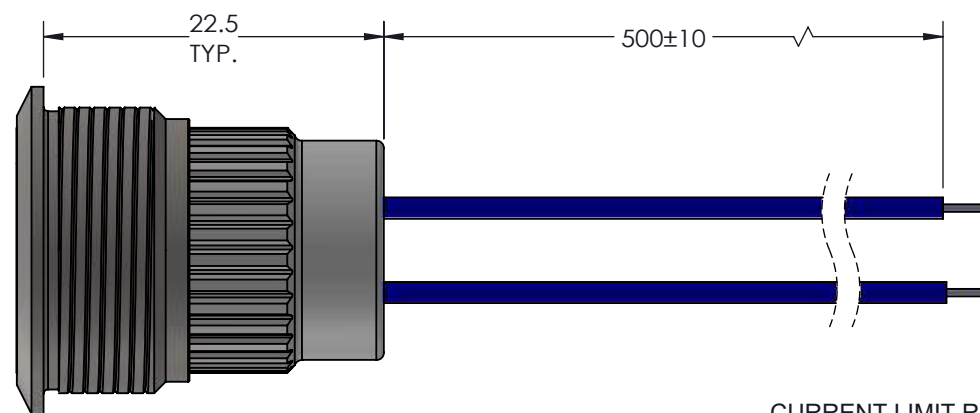
DETAIL FOR TERMINAL POSITION

SOLDER
TERMINAL
NONE
ILLUMINATION



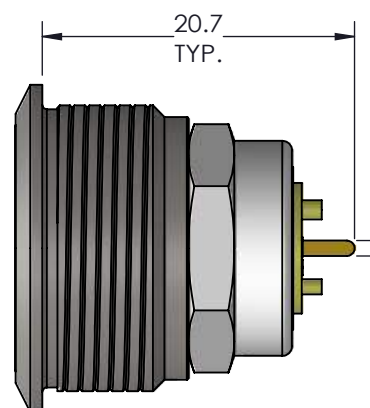
2.8X0.5THICK(X2)
S/W TERMINALS

NON-ILLUMINATION
WIRELEADS



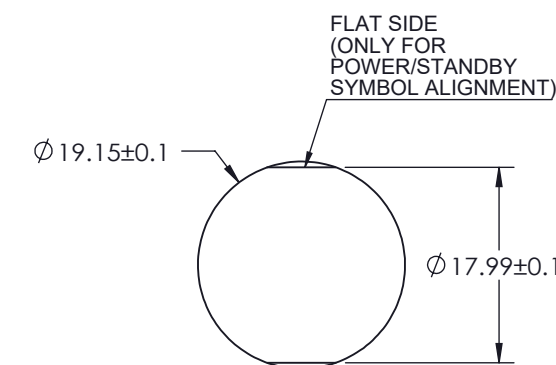
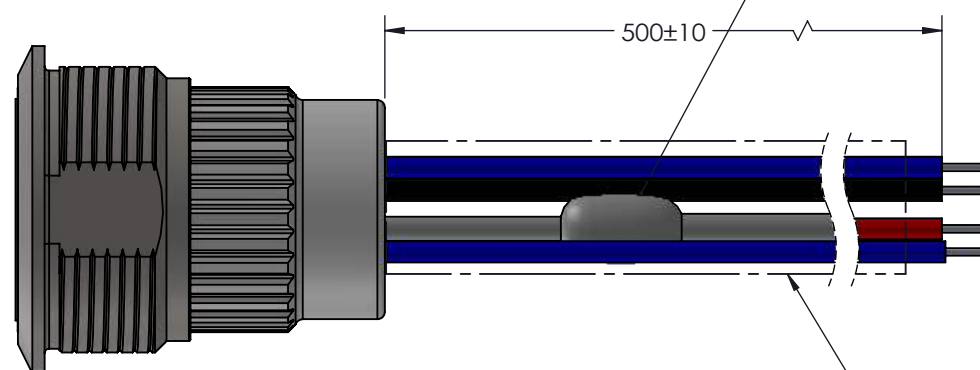
CURRENT LIMIT RESISTOR ONLY FOR:
1. 5 VDC REQUIRES ONE EXTERNAL RESISTOR:
A/Y/RB/RG LED SUPPLY
2. 12 VDC, 24 VDC LED SUPPLY

PC
TERMINAL
NONE
ILLUMINATION



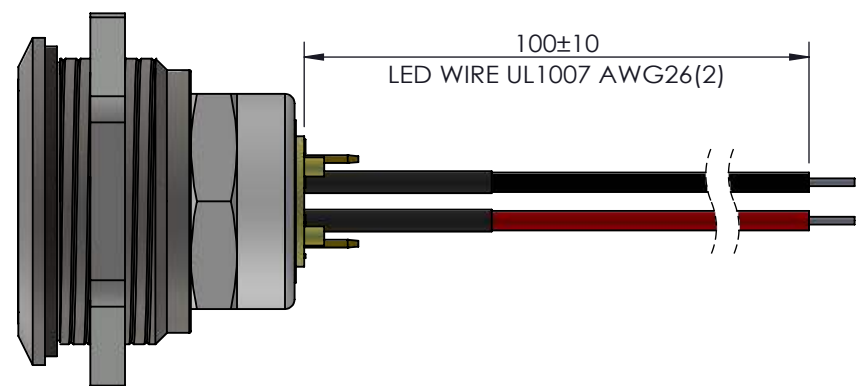
1.01X0.5 THICK(X2)
S/W TERMINALS

ILLUMINATION
WIRELEADS



RECOMMENDED
PANEL CUT-OUT

ILLUMINATION
TYPE



THE DOTTED LINE MEANS PVC COVER WHEN
5V, 12V, 24V EXTERNAL RESISTORS ARE ADDED.

| | | | | | | | | | | |
|--|----------------------|---|--|-------------------------|--|------------|--------------|----------|----------------|--------------|
| DWG TYPE SALES DRAWING | DRAWN <i>K.Y.</i> | TOLERANCES: UNLESS OTHERWISE NOTED X.X ± 0.5 X.XX ± 0.25 ANGULAR ± 5° | DWG TITLE W48M-MECHANICAL MOMENTARY/MAINTAIN, NONE/CENTER SPOT/ POWER STANDBY SYMBOL ILLUMINATION | | | | | | | |
| STATUS RELEASE | REVIEW | THIRD ANGLE PROJECTION | DWG NO. W48M-1,2,5,6,A,B | | | | | | | |
| <small>This document is the intellectual property of ITW Electronic Business Asia Co., Limited and may contain confidential, proprietary, privileged information protected by law. Neither this document nor any information it contains can be reproduced, transformed to any other format, or distributed, without written permission by ITW Electronic Business Asia Co., Limited. 本文作為安達維百電股份有限公司之智慧財產，非經許可不得翻取、複製、轉變成其他形式使用或散佈。</small> | | | DATE 2017/8/26 | REF: 48M-1,2,5,6,A,B | <input checked="" type="checkbox"/> 管制文件 <input type="checkbox"/> 非管制文件 | Unit mm | SCALE 3:2 | REV 7 | RoHS Compliant | SHEET 2 OF 3 |