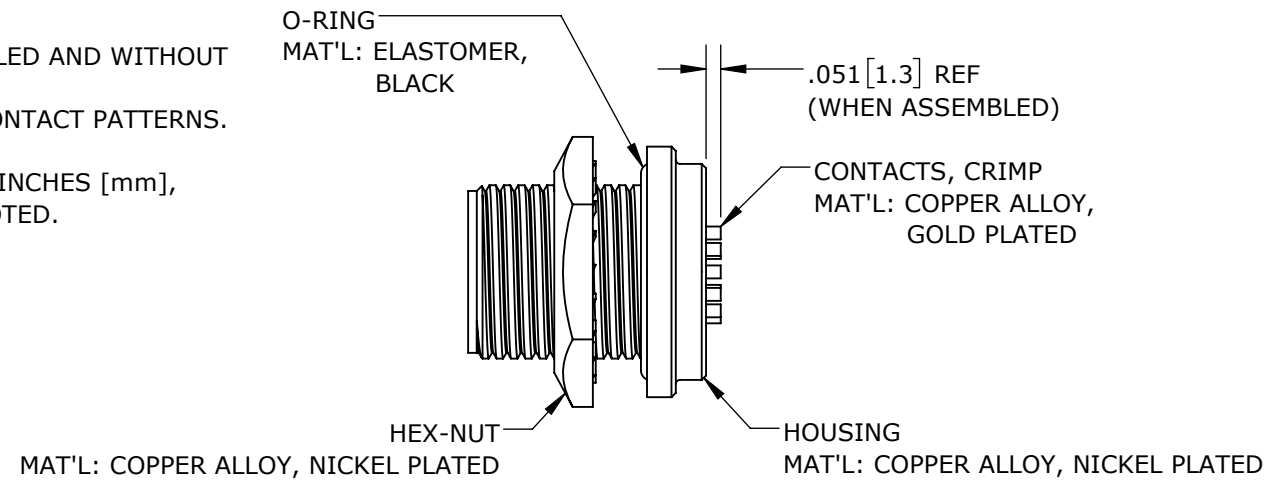


- NOTES:  
 1. CRIMP CONTACTS SUPPLIED UNASSEMBLED AND WITHOUT EPOXY BACKING.  
 2. REFER TO DRAWING HPSFMSTD FOR CONTACT PATTERNS.  
 3. HEX-NUT TORQUE: 10-12 IN-LB.  
 4. DIMENSIONS ARE REFERENCE ONLY, IN INCHES [mm], WITHIN ±0.015 UNLESS OTHERWISE NOTED.

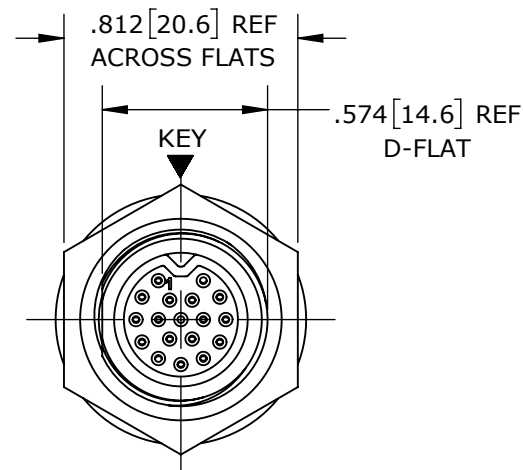


**CRIMP CONTACTS**  
 SF7980-18SG-300 SHOWN

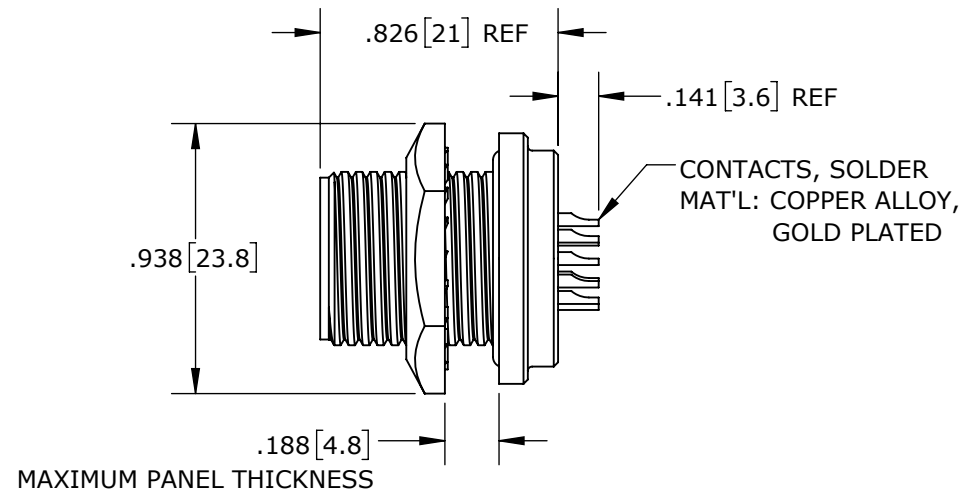
**PANEL-MOUNT CONNECTOR PART NUMBERS:**

**S F 7 9 8 X - X S G - 3 X X**

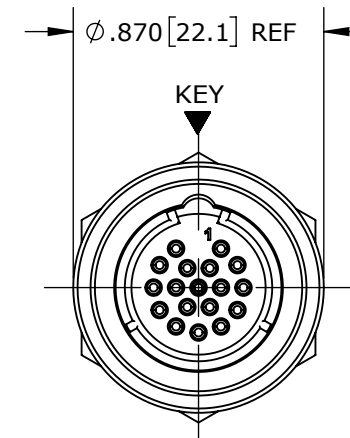
- EPOXY BACKING:  
 3ES = WITH EPOXY  
 300 = WITHOUT EPOXY
- # OF CONTACTS: 9 - 18
- CONTACTS STYLE:  
 0 = CRIMP  
 2 = SOLDER  
 4 = PC TAIL



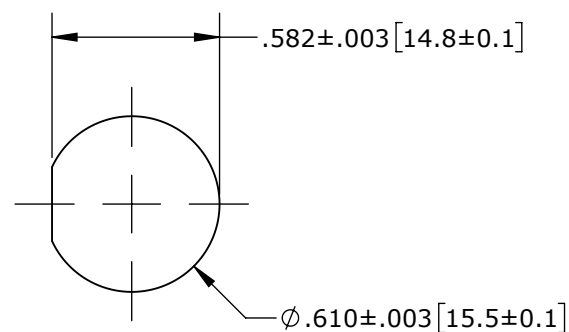
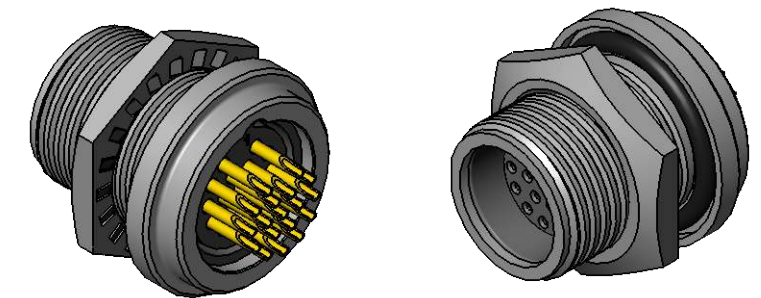
**FACE VIEW**  
 SF7982-18SG-300 SHOWN



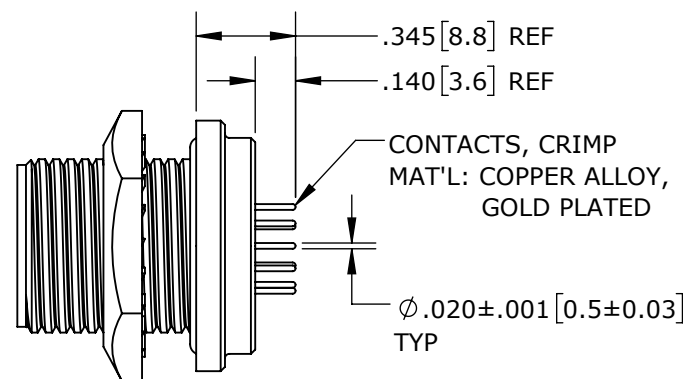
**SOLDER CONTACTS**  
 SF7982-18SG-300 SHOWN



**WIRING END**  
 SF7982-18SG-300 SHOWN



**RECOMMENDED PANEL CUT-OUT**



**PC TAIL CONTACTS**  
 SF7984-18SG-3ES SHOWN

**CUSTOMER APPROVAL**

THIS DOCUMENT CONTAINS CONFIDENTIAL INFORMATION PROPRIETARY TO CONXALL CORPORATION. ANY REPRODUCTION, DISCLOSURE, OR USE OF THIS DOCUMENT /INFORMATION IS EXPRESSLY PROHIBITED UNLESS AUTHORIZED IN WRITING BY CONXALL CORPORATION.

APPROVED BY: \_\_\_\_\_

DATE: \_\_\_\_\_

**RoHS COMPLIANT**

0A	PNK	1-30-18	DRAWING CREATED PER PDR17011	
REV.	INIT.	DATE	DESCRIPTION	
	PNK	1-30-18	ORIG. DRAWN BY: DATE: 1-30-18	
ALL INFORMATION ILLUSTRATED IS THE PROPERTY OF CONXALL CORPORATION. UNAUTHORIZED DUPLICATION OR DISTRIBUTION OF THIS DOCUMENT IS PROHIBITED.				
ALL UNITS ARE IN FEET, INCHES, FRACTION OF INCHES AND DECIMALS. UNLESS OTHERWISE SPECIFIED TOLERANCES: 3 PLACE DECIMALS ±.005 ANGLES ±1° FRACTIONS ±1/16			TITLE: PANEL-MOUNT CONNECTOR (9-18) #26 SOCKET CONTACTS SHIELDED MINI-CON-X STANDARD PRODUCT	
SCALE	SIZE	SHEET	CUSTOMER:	
NTS	B	1 OF 1	SF798X-XSG-3XX	
FILE:	DIRECTORY:	PART NUMBER:	REV	
SF798X-XSG-3XX_CD	SLW	SF798X-XSG-3XX	0A	