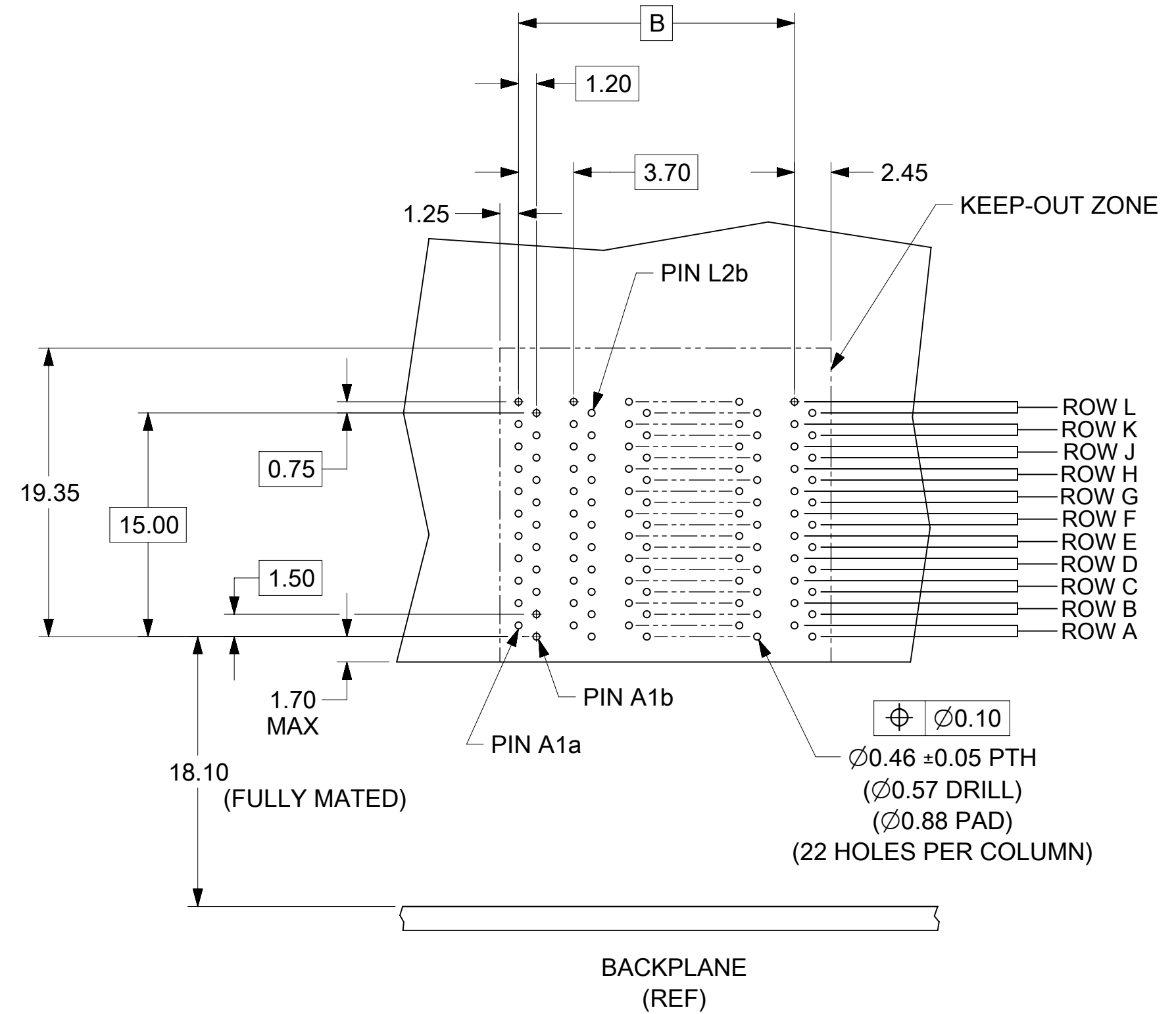
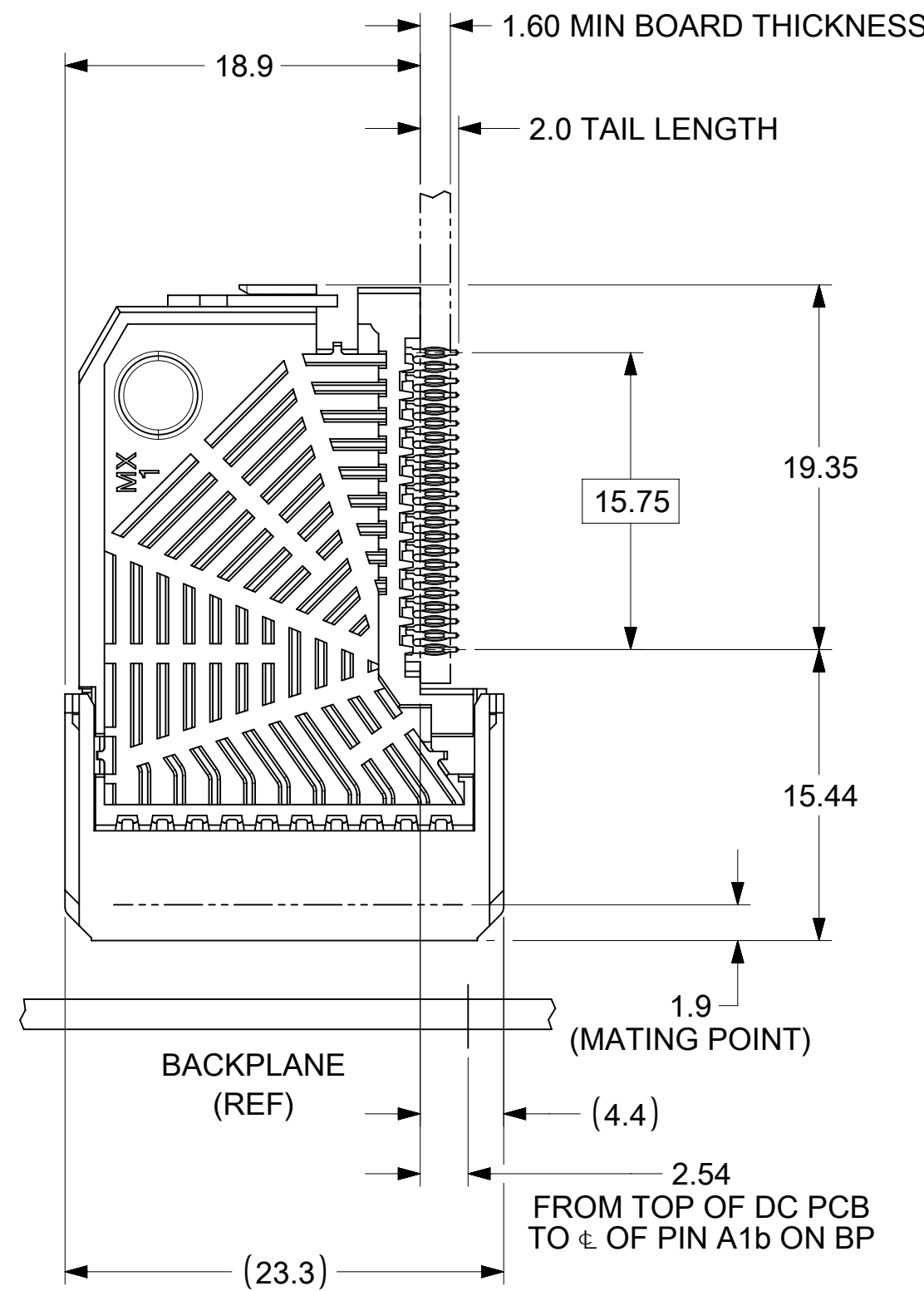
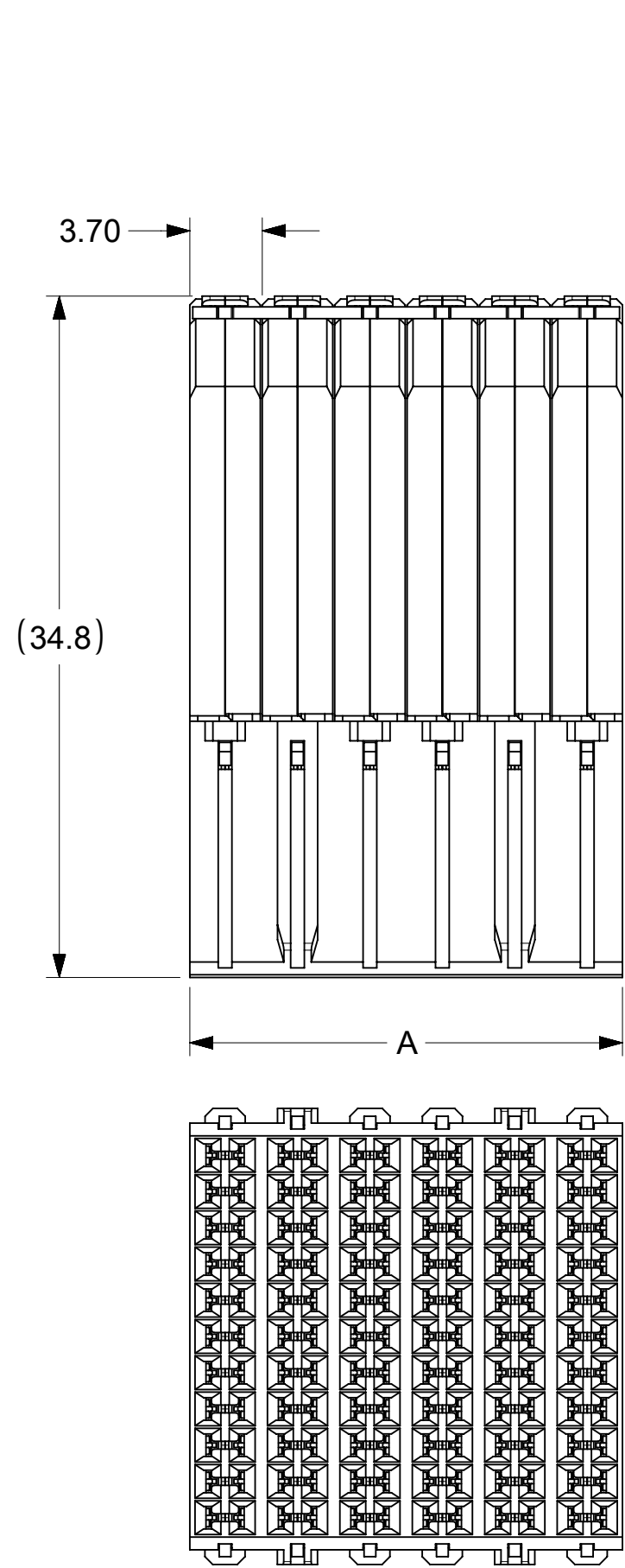
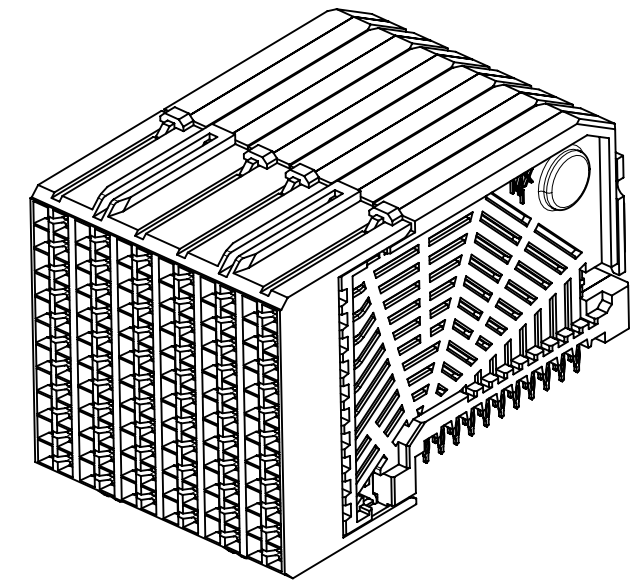


MATERIAL NUMBER	# OF COLUMNS	DIM "A" MAX	DIM "B"
75710-***5	5	18.50	14.80
75710-***6	6	22.20	18.50
75710-***8	8	29.60	25.90
75710-***0	10	37.00	33.30

75710- \* 0 \* \*

MODULE TYPE -- TAIL PLATING TYPE  
 UNGUIDED -- MATTE TIN (FORMERLY TIN/LEAD) = 0  
 UNGUIDED -- MATTE TIN = 1

# OF COLUMNS/PLATING  
 05 = 5 COL 30 GOLD  
 06 = 6 COL 30 GOLD  
 08 = 8 COL 30 GOLD  
 10 = 10 COL 30 GOLD  
 55 = 5 COL 10 GOLD (MAPS)  
 56 = 6 COL 10 GOLD (MAPS)  
 58 = 8 COL 10 GOLD (MAPS)  
 50 = 10 COL 10 GOLD (MAPS)



DAUGHTERCARD HOLE PATTERN  
(CONNECTOR SIDE)

NOTES:

- MATERIALS: HOUSING - LIQUID CRYSTAL POLYMER (LCP) GLASS-FILLED, UL94V-0  
TERMINALS - HIGH PERFORMANCE COPPER ALLOY
- FINISH: SELECTIVE GOLD IN CONTACT AREA.  
SELECTIVE MATTE TIN ON PCB TAILS. NICKEL OVERALL.
- REFER TO MOLEX PRODUCT SPEC PS-75710-999 FOR PERFORMANCE SPECIFICATIONS.
- PRODUCT IS PACKAGED PER PK-70873-609.
- THIS PART CONFORMS TO CLASS B REQUIREMENTS OF COSMETIC SPEC PS-45499-002.
- MAPS (MOLEX ADVANCED PLATING SYSTEM)

THIS DRAWING CONTAINS INFORMATION THAT IS PROPRIETARY TO MOLEX ELECTRONIC TECHNOLOGIES, LLC AND SHOULD NOT BE USED WITHOUT WRITTEN PERMISSION											
DIMENSION UNITS		SCALE		CURRENT REV DESC: REMASTERED TO NX							
mm		NTS									
GENERAL TOLERANCES (UNLESS SPECIFIED)				EC NO: 671119						I-TRAC DAUGHTERCARD 11 ROW SIGNAL MODULE UNGUIDED SALES DWG	
ANGULAR TOL ± 0.5°				DRWN: YOGEEB 2021/06/24							
4 PLACES ±				CHK'D: VINODM3 2022/02/03						PRODUCT CUSTOMER DRAWING	
3 PLACES ±				APPR: CWANG25 2022/02/18							
2 PLACES ± 0.13				INITIAL REVISION:						DOCUMENT NUMBER <b>SD-75710-001</b>	
1 PLACE ± 0.25				DRWN: MCARRANZA 2006/06/19							
0 PLACES ±				APPR: JLAURX 2006/06/21						DOC TYPE DOC PART REVISION PSD 001 E1	
DRAFT WHERE APPLICABLE MUST REMAIN WITHIN DIMENSIONS		THIRD ANGLE PROJECTION		DRAWING		SERIES		MATERIAL NUMBER		CUSTOMER	
				C-SIZE		75710		SEE TABLE		GENERAL MARKET	
DOCUMENT STATUS		P1		RELEASE DATE		2022/02/18 05:03:55		SHEET NUMBER		1 OF 1	