

Ratings

Voltage: 300 V

Temperature

Static: -40 to 105 °C

Dynamic: -20 to 105 °C

Flammability: VW-1

Water resistant: 75 °C

Oil resistant: 60 °C (jacket)

≥50% elongation and tensile strength after aging

UV resistance: jacket, 720 hours xenon or carbon arc exposure

≥80% tensile strength and elongation after aging

Conductor

Conductor count: 8

Gauge: 32 AWG 0.04 mm²

Material: tinned copper strands

Strand size: Ø 0.08 mm x 7

Resistance at 20 °C: 588 Ω /km Max

Insulator

Material: PVC

Color: red, black, white, yellow, blue, green, orange, purple

Diameter: Ø 1.05 ±0.10 mm

Nominal thickness: 0.38 mm

Resistance at 20 °C: 10 MΩ /km Min

Filler

Material: cotton rope

Drain

Stranding: Ø 0.08 mm x 7

Material: tinned copper strands

Shield

Type: aluminum mylar + tinned copper braid

Coverage: 65% min braid, 100% foil

Braid stranding: Ø0.10 mm

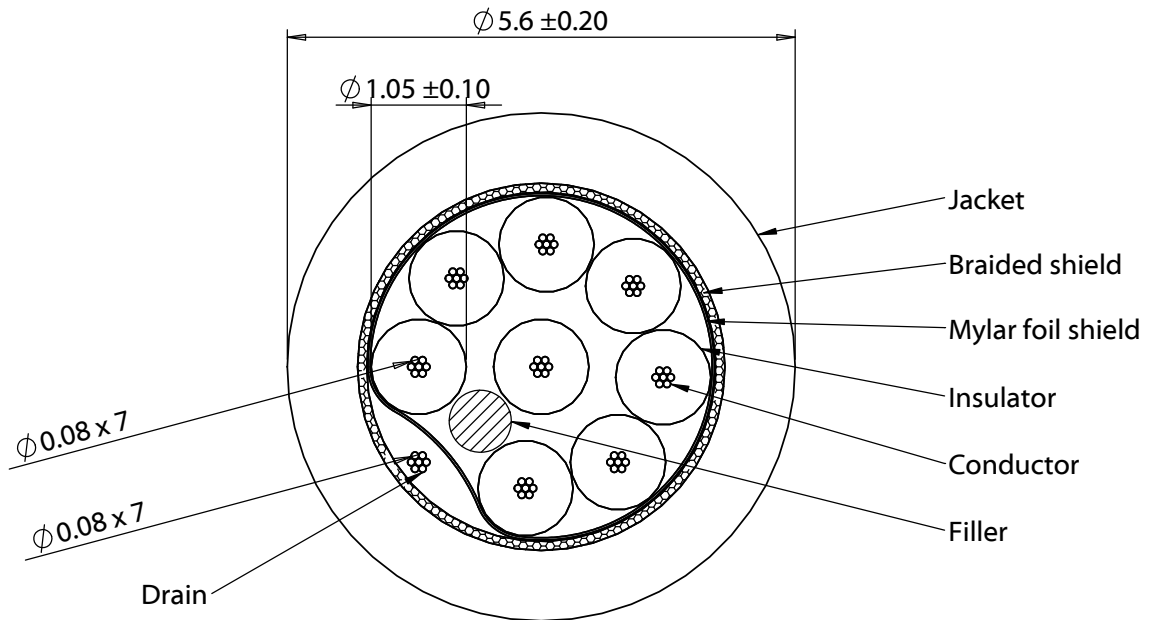
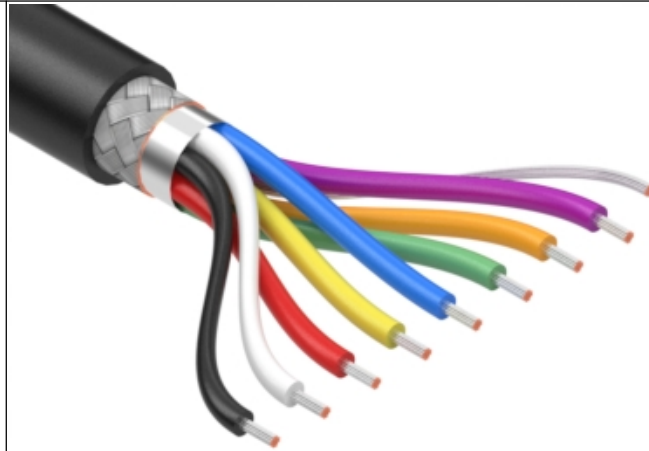
Outer jacket

Material: PVC, 80A

Color: black

Diameter: Ø 5.6 ±0.20 mm

Nominal thickness: 0.78 mm

Wire marking: E339579 UL AWM STYLE 20387 32 AWG 105°C 300V VW-1 60°C OIL RESISTANT UV RESISTANT TENSILITY**Use:** External wiring

Revision:	Date:	Description:	Prepared:	Notes:	<h1>TENSILITY</h1> <p>tel 1.541.323.3228 800 877.670.7118 fax 1.541.323.4202 web tensility.com</p>
A	8/25/2020	Initial release	JC <small>Digitally signed by JC Date: 2020.08.28 11:51:25 -07'00'</small>	RoHS compliant	
			Verified:	Function test: no open, no short circuit, no intermittent	Size:
			AW <small>Digitally signed by AW Date: 2020.08.28 14:44:03 -07'00'</small>	Description:	Part number:
			Dimensions are in millimeters.	Wire, 8C TS, 32 AWG, UL20387, 300V, 105C, 60C oil, UV, 5.6 mm, shielded, VW-1, PVC, 80A, black	A
			Tolerances:		30-01615
			X: ± 0.5 mm		Scale: 12:1
			X.X: ± 0.3 mm		☉ □
			X.XX: ± 0.05 mm		Sheet 1 of 1

5

4

3

2

1