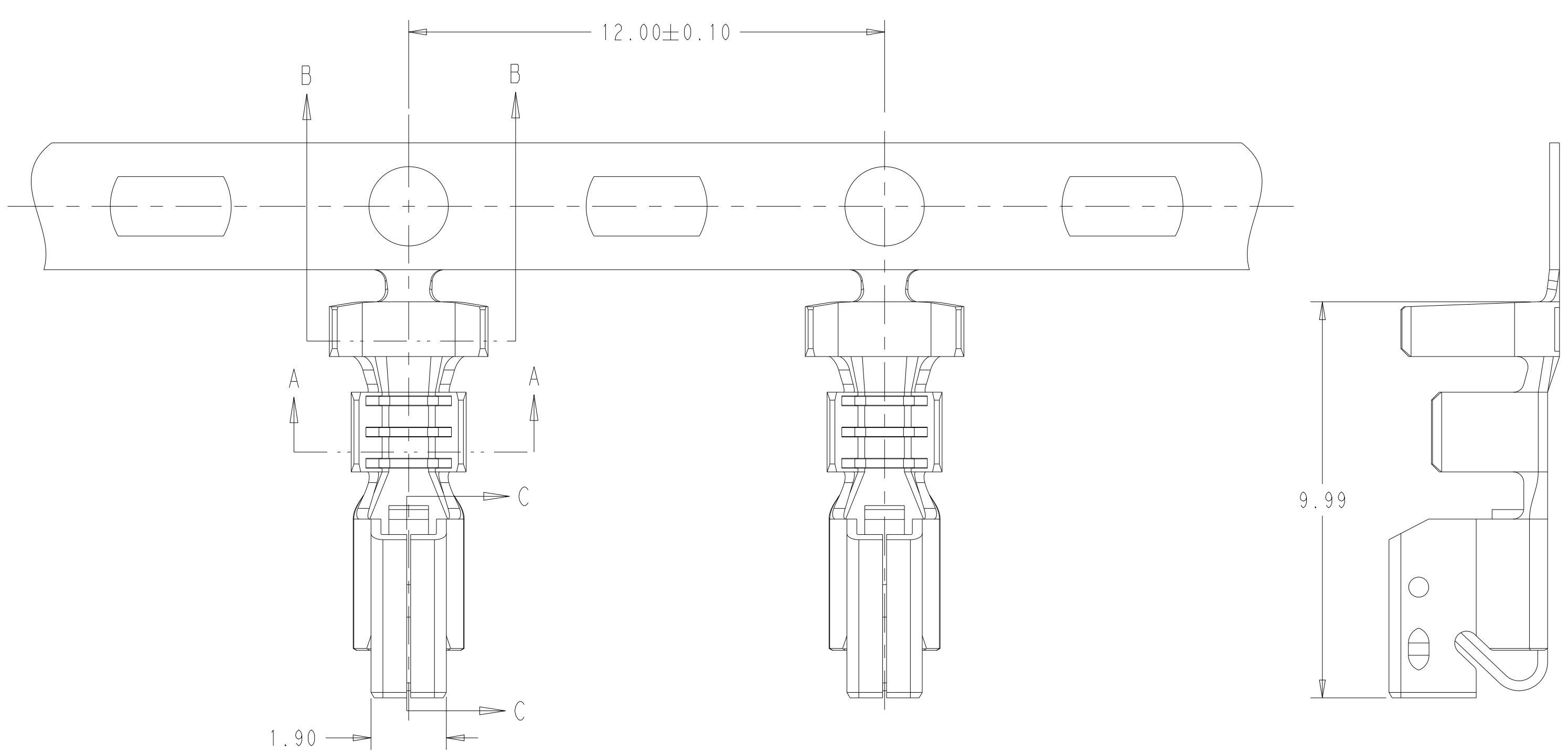
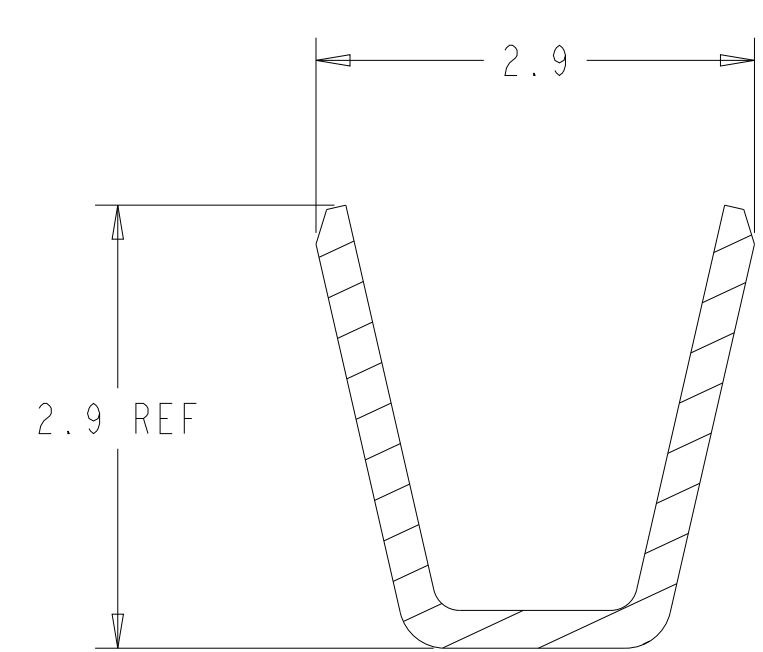
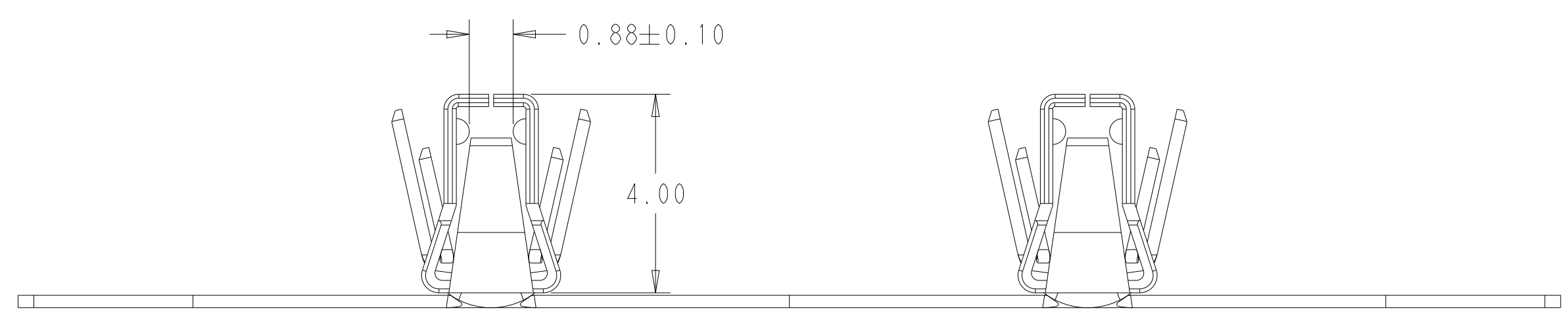
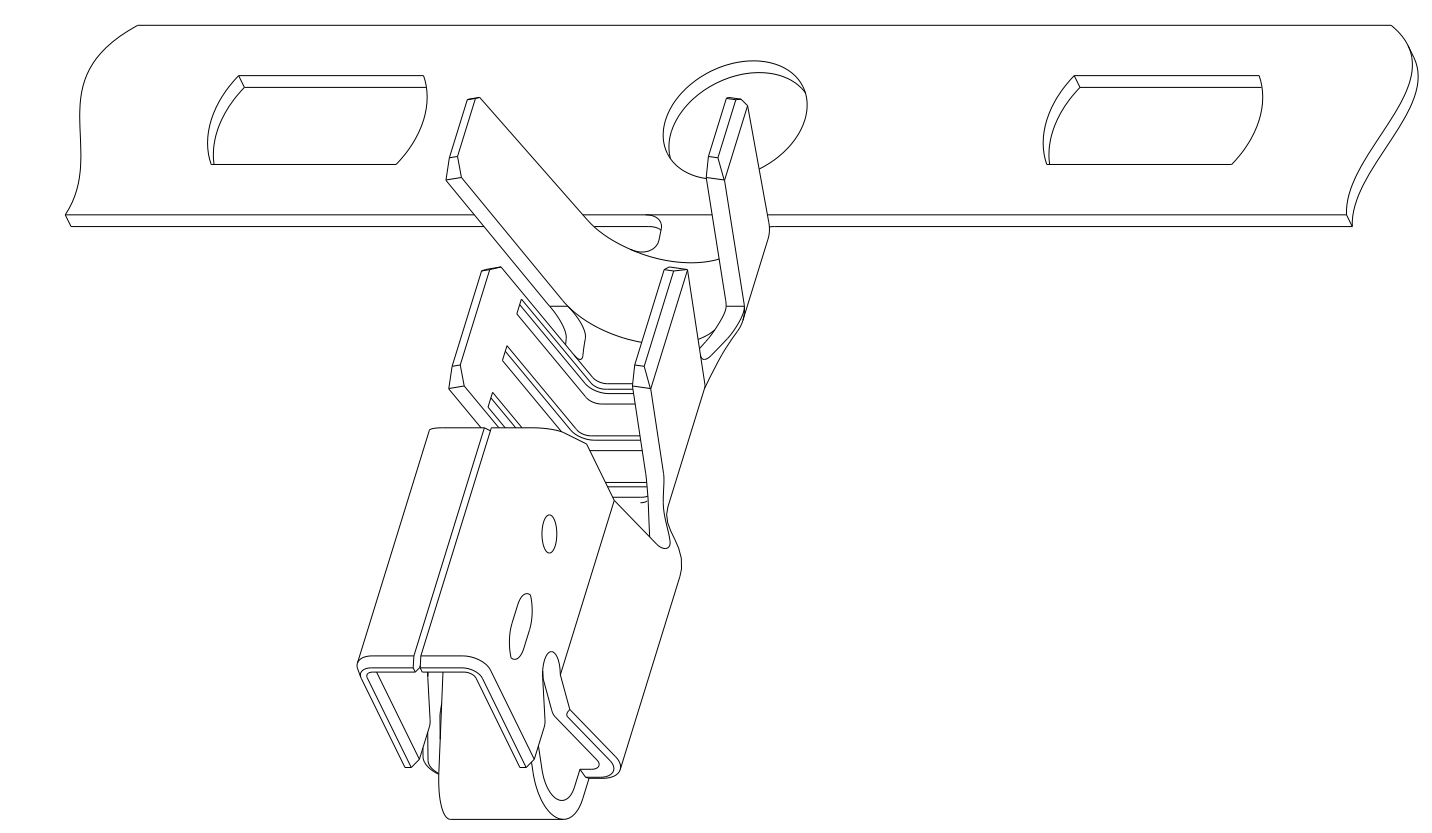


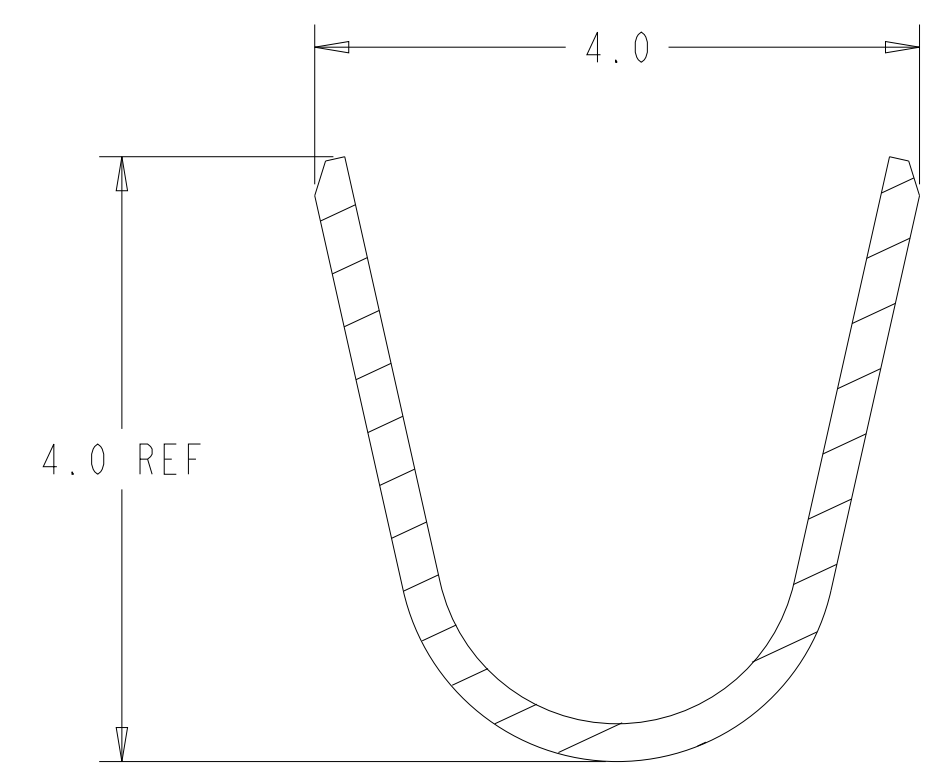
REVISIONS				
P	LTN	DESCRIPTION	DATE	APVD
A		REVISED PER ECN-21-111388	02AUG2021	W, H, D, Z



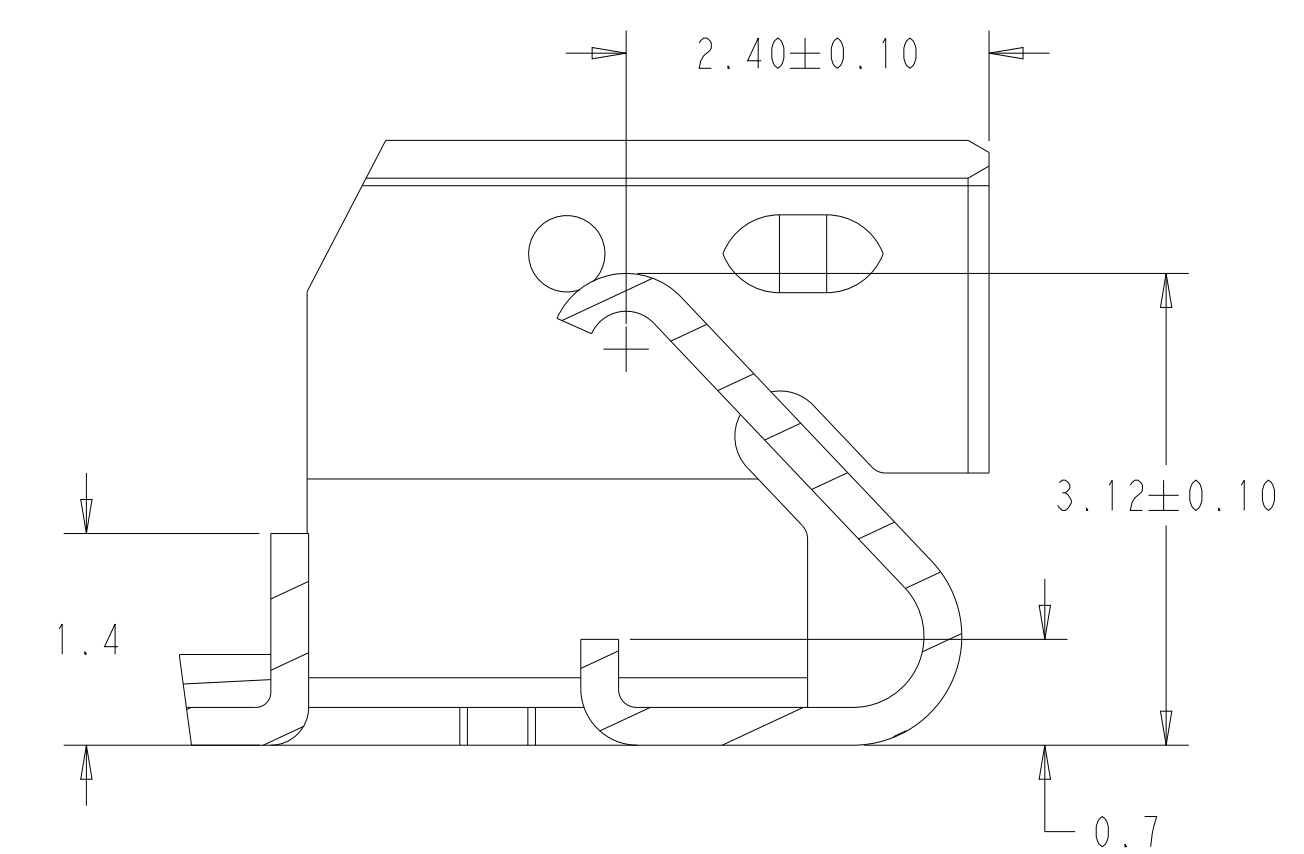
- ⚠ MATERIAL: PHOSPHOR BRONZE
FINISH: PRE-TIN
- 2. RECOMMENDED MATING PARTS: []-2371377-[] OR []-2377130-[]
- ⚠ CONTACTS COATED WITH ANTI-FRETTING LUBRICANT.
- 4. PACKAGING: ON REEL
- 5. REFERENCE CRIMP INFORMATION:
WIRE RANGE: 18-16 AWG [1.04-1.30MM²].
WIRE INSULATION RANGE: 1.70-2.90MM DIA.
- ⚠ THIS PRODUCT HAS NOT COMPLETED VALIDATION TESTING



SECTION A-A
SCALE 20:1



SECTION B-B
SCALE 20:1



SECTION C-C
SCALE 20:1

⚠	2377997-1
LUBRICANT	PART NO

THIS DRAWING IS A CONTROLLED DOCUMENT.

DIMENSIONS:	TOLERANCES UNLESS OTHERWISE SPECIFIED:	DWN: W. HUO 01JUN2021	TE Connectivity NAME: RECEPTACLE CONTACT, LANCE-LESS 16-18AWG, ECONOMY POWER II
mm	0 PLC ±.25	CHK: D. ZHANG 03JUN2021	
	1 PLC ±.20	APVD: D. ZHANG 03JUN2021	
	2 PLC ±.15	PRODUCT SPEC	
	3 PLC ±.10	APPLICATION SPEC	108-2297
	4 PLC ±.05	RESTRICTED TO	114-13265
	ANGLES ±3°	SCALE	10:1
MATERIAL: ⚠	FINISH: ⚠	WEIGHT	00779
		CUSTOMER DRAWING	©=2377997

SCALE 10:1 SHEET 1 OF 1 REV A