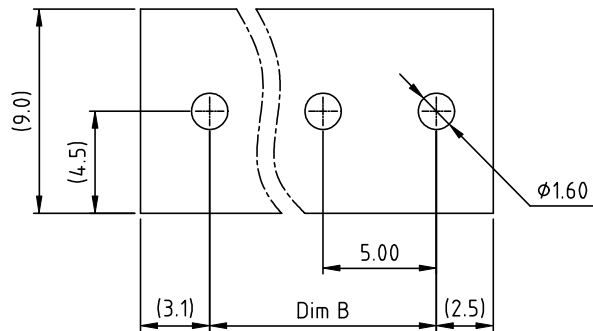
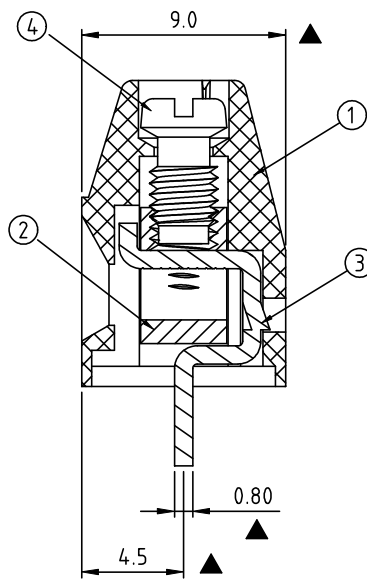
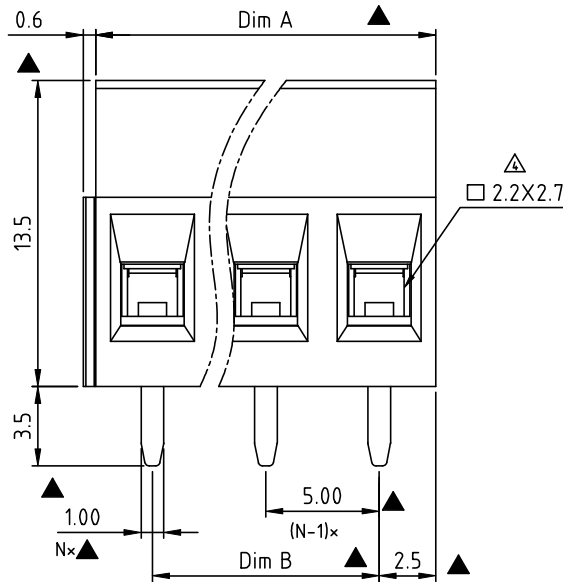
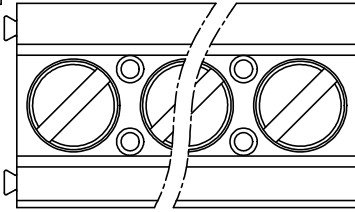


RoHS Compliant



P.C.B LAYOUT

N = Number of poles
 Dim A = N x 5.0
 Dim B = (N - 1) x 5.0

	Dim A	Dim B
2-6p	±0.15	±0.10
7-12p	±0.20	±0.20
13-18p	±0.30	±0.25
19-24p	±0.40	±0.30

SIGN	DATE	DESCRIPTION	APPROVER
△	8/07'06	Added FIMKO standard	LRS
△	01/18'07	Soldering temperature changed from 245° to 250°	Tason
△	01/18'07	Part NO is Changed	Tason
△	03/09'12	Part NO is Changed	Runner
△	04/27'18	Delete the FI mark, Update the drawing	Runner

THIS IS CAD DRAWING, DO NOT REVISE MANUALLY!!!

Material:

- Item 1 Terminal housing :Thermoplastic (UL 94V-0)
- Item 2 Clamp : Brass ,Ni plated
- Item 3 Wire guard solder pin : Brass ,Tin plated
- Item 4 Terminal screw: Steel Zinc plating"-slot type

△△ Electrical cULus

- Voltage rating: 300VAC
- Current rating: 16A
- Wire range:
- Solid wire(AWG): 12-28
- Stranded wire(AWG): 12-28
- Torque: 3.5Lb-In.
- Screw: M3
- Wire strip length: 6-7mm
- Withstanding Voltage: 1.6KV
- Operating temperature: -40°C to +115°C
- Soldering temperature: 260°C±5°C/5 Sec
- Safety Approval:
- Critical dimension: ▲

△ VI xx 01 x 2 xxxx G

No. of poles end stackable design	0	Black (RAL9005)	RoHS compliant (lead<4%) In copper Alloy
	2	Red (RAL3001/D)	
02	2 POLES	3	Orange(RAL2011/P)
03	3 POLES	4	Yellow(RAL1018/A)
...	...	5	Green(RAL6018/T)
24	24 POLES	6	Blue (RAL5015/A)
		8	Grey(RAL7035/D)
		c	Green(RAL6018/U)

0000:"@ "Logo (Standard)
 000A:"ANYTEK"Logo
 Any special item by customer request, please contact sales department.

Amphenol
ANYTEK

CUSTOMER COPY

ALL RIGHTS RESERVED. REPRODUCTION OR ISSUE TO THIRD PARTIES IN ANY FORM WHATSOEVER IS NOT PERMITTED WITHOUT WRITTEN AUTHORITY FROM THE PROPRIETOR. PROPERTY OF ANYTEK TECHNOLOGY CO., LTD

TITLE		VI 5.0 SERIES 180° wire inlet (without cover)			
PART NO.		VIxx01x2xxxxG		DWG NO. 8VI0003	
APPROVED	CHECKED	DESIGNED	DRAWN	CUST NO.	
		Guoxue 2018.04.27	Guoxue 2018.04.27		
				UNIT: mm	X. ±0.50
				SCALE: NONE	X.X ±0.30
				SHEET: 01/01	X.XX ±0.10
				REV.: G	X° ±1°