

ITEM	PART#	DESCRIPTION	QTY	UOM
A,B	5055700601	2.0W/B SINGLE REC HSG 6CKT BLK	2	PC
C	5055721000	2.0W/B REC CRIMP TERM CHAIN H>F	12	PC
D	--	PAPER PRINTED PAPER WHITE	1	PC

FROM	TO	DESCRIPTION	COLOR
A1	B6	1X22AWG DISC SR-PVC BK UL10002	BLACK
A2	B5	1X22AWG DISC SR-PVC BK UL10002	BLACK
A3	B4	1X22AWG DISC SR-PVC BK UL10002	BLACK
A4	B3	1X22AWG DISC SR-PVC BK UL10002	BLACK
A5	B2	1X22AWG DISC SR-PVC BK UL10002	BLACK
A6	B1	1X22AWG DISC SR-PVC BK UL10002	BLACK

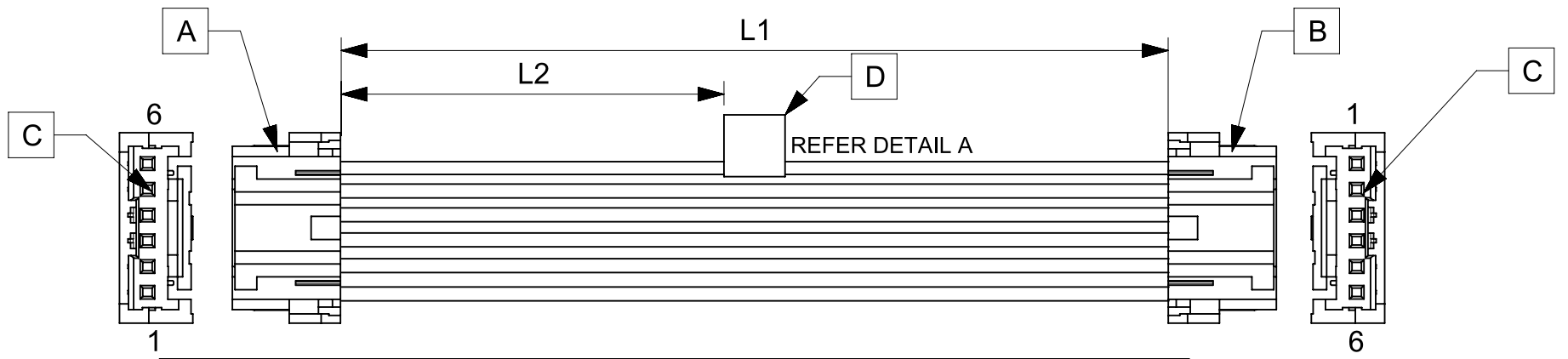


TABLE			
PART NUMBER	L1	L2(REF)	TITLE
2181011060	50±3	12	MICROLOCK PLUS 2.0 RR 6CKT 50MM DISC Sn
2181011061	100±5	37	MICROLOCK PLUS 2.0 RR 6CKT 100MM DISC Sn
2181011062	150±8	62	MICROLOCK PLUS 2.0 RR 6CKT 150MM DISC Sn
2181011063	300±10	137	MICROLOCK PLUS 2.0 RR 6CKT 300MM DISC Sn
2181011064	600±10	287	MICROLOCK PLUS 2.0 RR 6CKT 600MM DISC Sn

MOLEX P/N
MOLEX
BATCH WK/YR
DETAIL A

REVISION			
DATE	REV	DESCRIPTION	CHANGER
2021/03/12	A	INITIAL RELEASE	AS20

- NOTES**
- CONNECTOR VIEW SHOWN IS FROM MATING SIDE.
 - LABEL TEXT MUST BE 2MM MAX IN HEIGHT WITH ARIAL FONT.
 - LABEL MUST BE WRAPPED IN FLAG TYPE.
 - CABLE ASSEMBLY MUST BE TESTED 100% FOR CONTINUITY AND POLARITY.

FUNCTIONAL SYMBOLS FA = 0 FE = 0 FP = 0	THIS DRAWING CONTAINS INFORMATION THAT IS PROPRIETARY TO MOLEX ELECTRONIC TECHNOLOGIES, LLC AND SHOULD NOT BE USED WITHOUT WRITTEN PERMISSION	CURRENT REV DESC:		molex
	DIMENSION UNITS: mm	SCALE: NTS	GENERAL TOLERANCES (UNLESS SPECIFIED)	
DIVISIONAL SYMBOLS	ANGULAR TOL ± °	4 PLACES ±	3 PLACES ±	EC NO: 665161 DRWN: AS20 CHK'D: RDESAI01 APPR: RDESAI01
	2 PLACES ±	1 PLACE ±	0 PLACES ±	
DRAFT WHERE APPLICABLE MUST REMAIN WITHIN DIMENSIONS		THIRD ANGLE PROJECTION	DRAWING: A4-SIZE	SERIES: 218101
INITIAL REVISION: DRWN: AS20 APPR: RDESAI01		DOCUMENT NUMBER: 2181011060	DOC TYPE: PSD	DOC PART: 000
MATERIAL NUMBER: SEE TABLE		CUSTOMER: GENERAL MARKET	REVISION: A	
SHEET NUMBER: 1 OF 1				