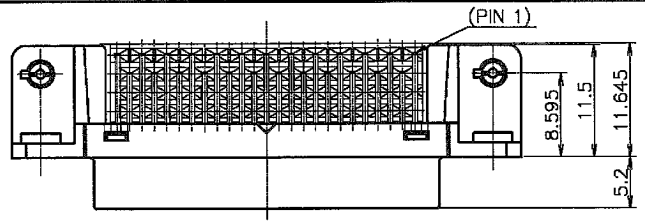


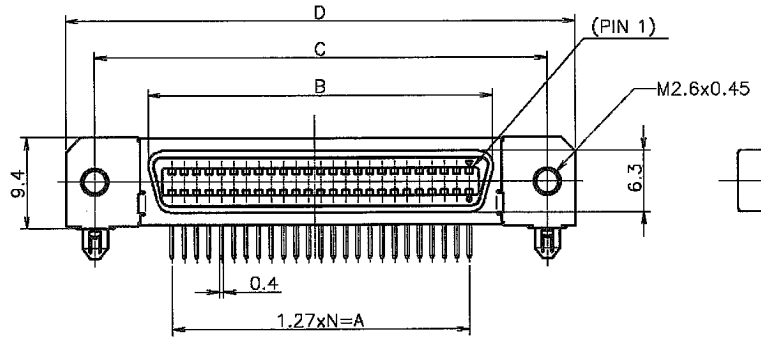
THIS DRAWING IS UNPUBLISHED. RELEASED FOR PUBLICATION SEP. 1994.
 © COPYRIGHT 1994 BY TYCO ELECTRONICS CORPORATION. ALL RIGHTS RESERVED.

LOC	DIST	REVISONS		
J	-	変更	DATE	DWN
P	LTR	DESCRIPTION	DATE	APVD
A		REVISED ECR-05-017946	14DEC05	L.Z I.E

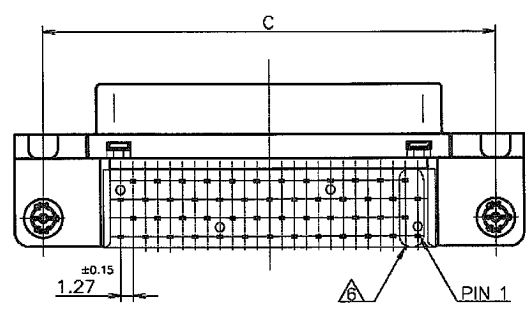
D



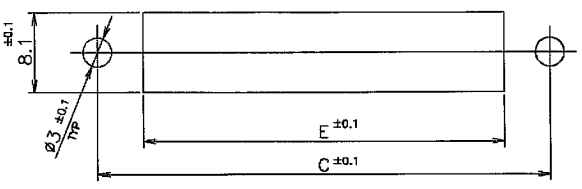
C



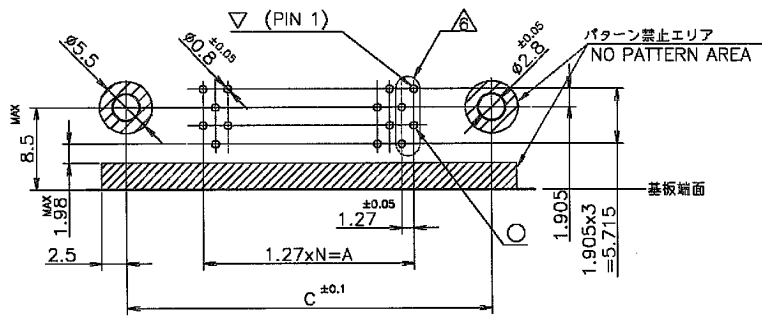
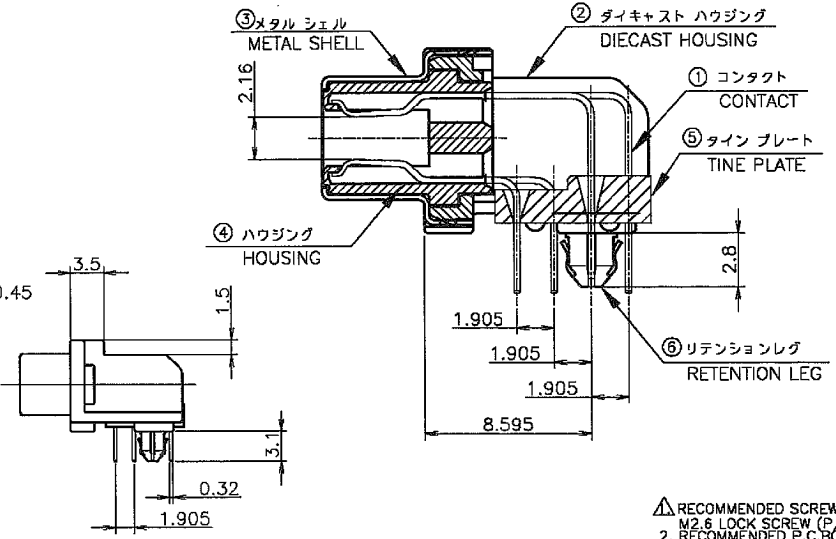
B



A



推奨パネルカット寸法
 RECOMMENDED PANEL CUTOUT
 (厚さ 2mm 最大)
 THK: 2mm MAX



推奨基板穴あけ寸法
 RECOMMENDED PC BOARD MOUNTING DIMMENSION
 コネクタ取付面
 COMPONENT SIDE

- △ RECOMMENDED SCREW SIZE: M2.6 LOCK SCREW (P/N: 179715-1).
- 2. RECOMMENDED P.C. BOARD THICKNESS: 1.6mm (REF.)
- 3. CONNECTOR TO BE MATED: 175677
- 4. INSERTION FORCE OF RETENTION LEG TO P.C.B.: 2.2kg MAX/CONNECTOR.
- 5. RETENTIVITY OF RETENTION LEG TO P.C.B.: 0.5kg MIN/CONNECTOR.
- △ POST/HOLE PATTERN AS SHOWN ON THIS END FOR ALL POSITION.

項目 ITEM	材料及び仕上 MATERIAL & FINISH
①	COPPER ALLOY NICKEL UNDER PLATE ALL OVER. CONTACT AREA: Au PLATING SOLDER TINE AREA, TIN PLATE
②	ZINC NICKEL PLATING
③	STEEL 0.25 NICKEL PLATE OVER COPPER UNDERPLATE
④	THERMO-PLASTIC COLOR: BLACK (UL: 94V-0)
⑤	
⑥	COPPER ALLOY TIN PLATE OVER NICKEL UNDERPLATE

49	68.85	84.15	78.25	67.23	62.23	0.1μ	100	1-5179717-9
39	56.15	71.45	65.55	54.53	49.53	0.1μ	80	1-5179717-8
N	E	D	C	B	A	Au PL.	POS.	PART NO.

THIS DRAWING IS A CONTROLLED DOCUMENT.

DIMENSIONS: 単位: 英 MM	TOLERANCES UNLESS OTHERWISE SPECIFIED: 一般公差	DWN LEO ZHOU 28SEP04	Tyco Electronics AMP K.K. Kawasaki, Japan
	0 PLC ± 0.3 1 PLC ± 0.3 2 PLC ± 0.3 3 PLC ± 0.3 4 PLC ± 0.3 ANGLES ± 3°	CHK STEVEN YAO 28SEP04	
MATERIAL 材料	FINISH 仕上	APVD I. ENOMOTO 28SEP04	NAME 名称 RECEPTACLE HDR ASSY (3.1mm) RETENTION LEG TYPE STANDARD CHAMP.050 SERIES (II)
SEE NOTE	SEE NOTE	PRODUCT SPEC 製品規格 188-68043	SIZE A3
		APPLICATION SPEC 取付適用規格	CAGE CODE 00779
		WEIGHT	DRAWING NO 番号 5179717
		CUSTOMER DRAWING	RESTRICTED TO -
			SCALE 尺度 2:1
			SHEET 1 of 1
			REV A