

spec ref	*	dr	DuWa	2010/04/28	projection	MM	size	A2	scale	1:1	
tolerance std	ASME Y14.5	eng	Helen Zhang	2012/07/23	chr	-	ecn no	-	rel level	Released	
surface	✓	appr	Pei-Ming Zheng	2012/07/23	product family	-	cat. no.	R/A HDR ASSY IP-4S-IP	Product - Customer Drw	sheet 1 of 5	
ASME Y14.5	linear	0.X	±.5	0.XX	±.25	0.XXX	±.10	angular	0°	±2°	
		www.fci.com		cat. no.		Product - Customer Drw		sheet 1 of 5		rev	A

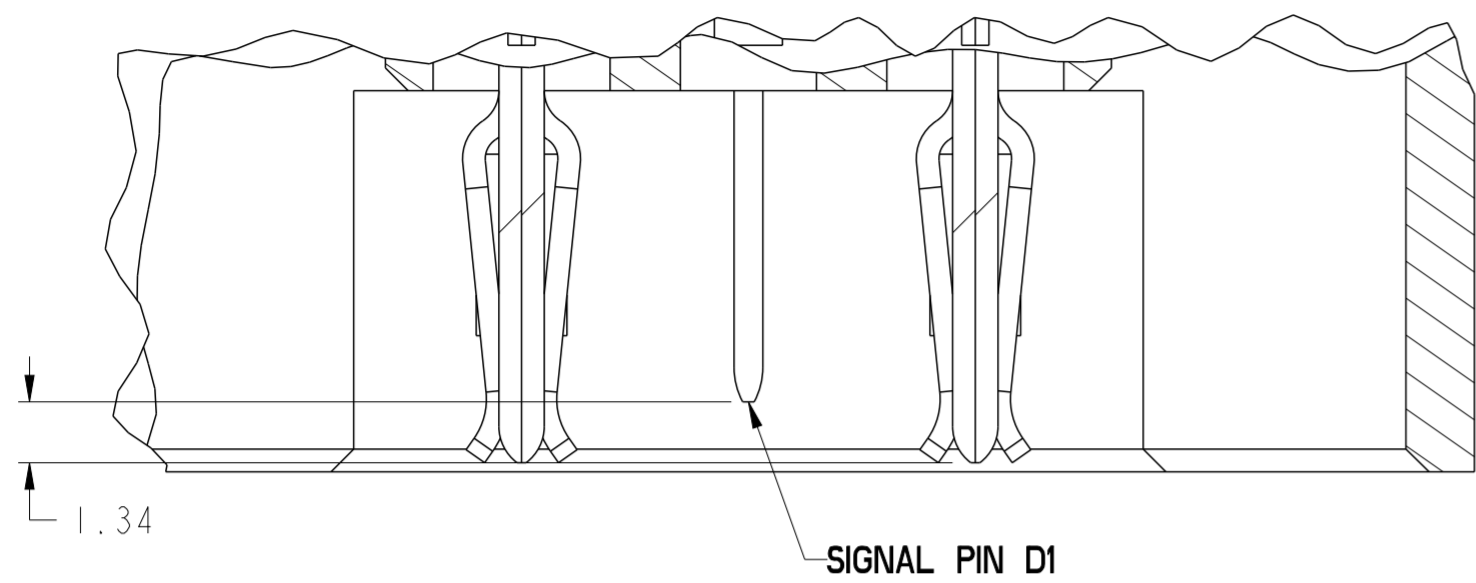
PDS: Rev :A

STATUS:Released

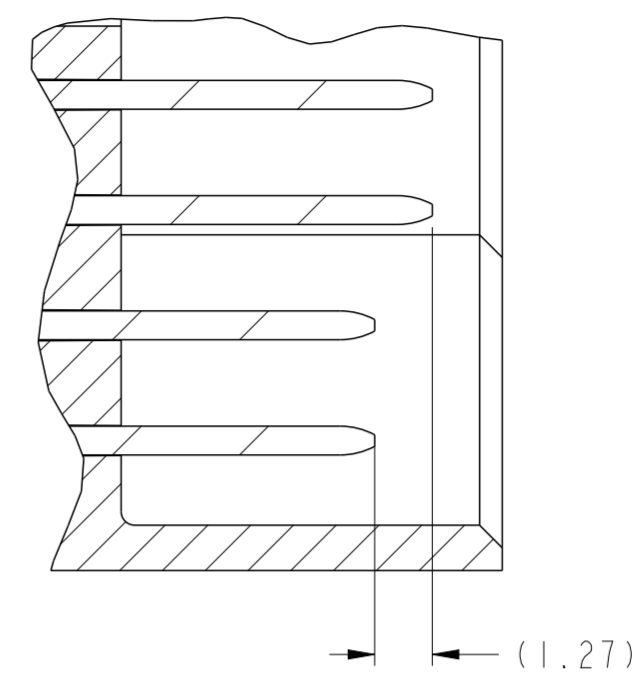
Printed: Jul 23, 2012



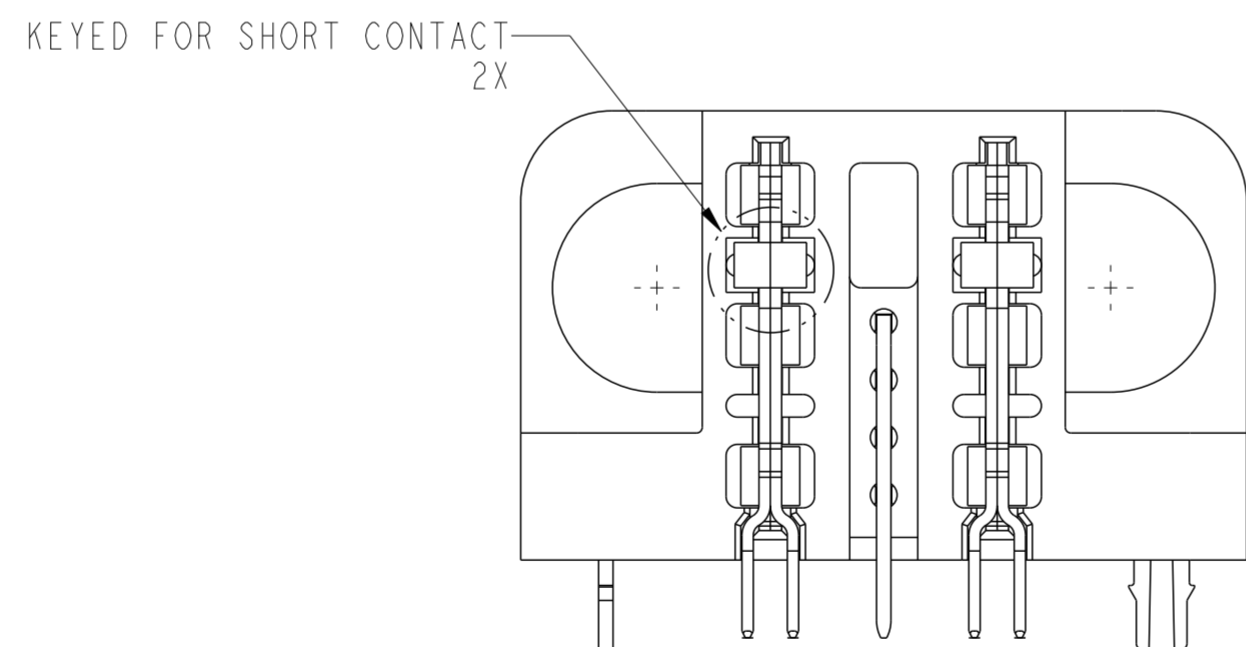
Copyright FCI.



DETAIL C
SCALE 6:1
 POWER MATING
 SEQUENCE

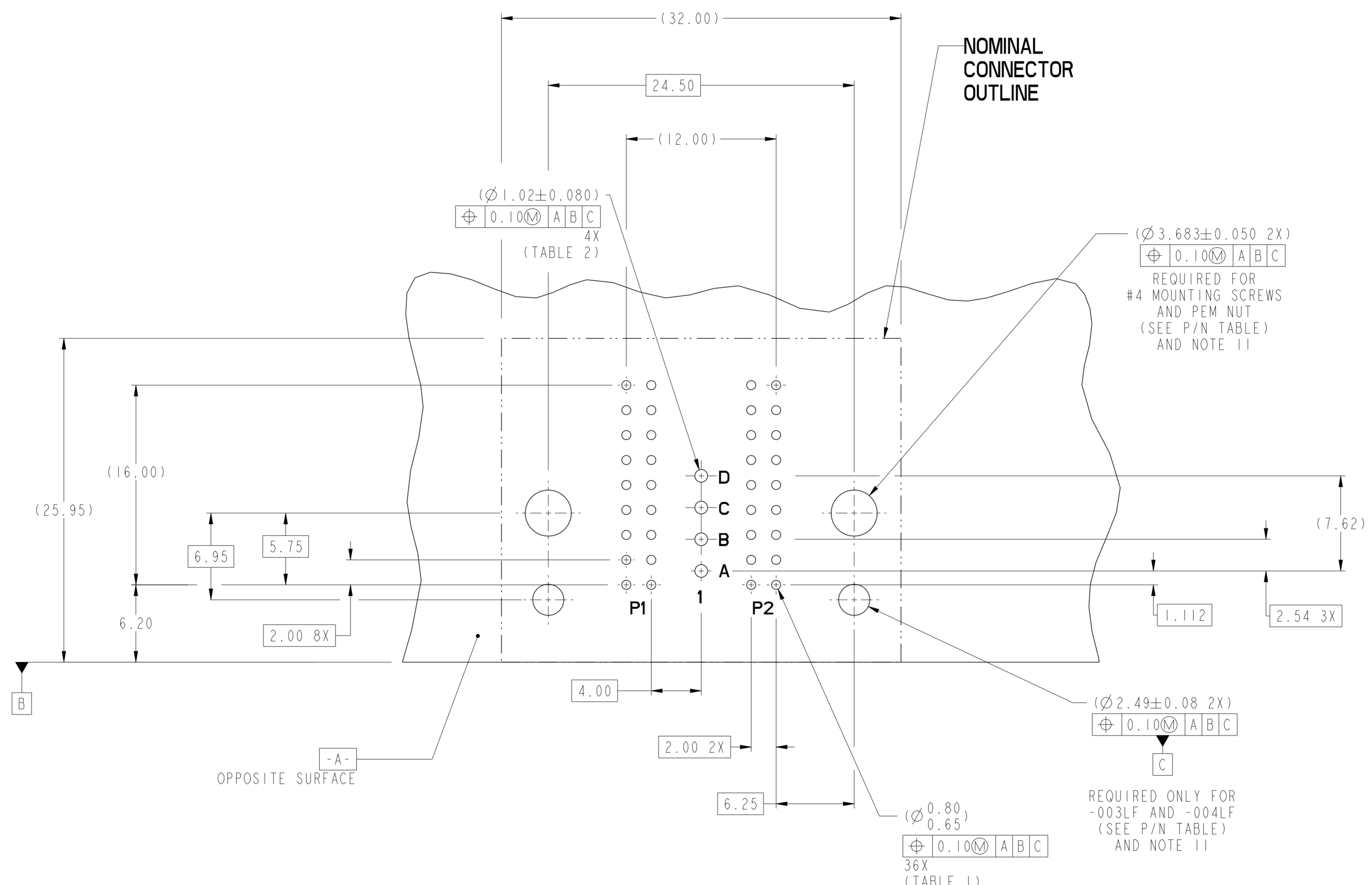


SECTION W-W
SCALE 6:1
 SIGNAL MATING
 SEQUENCE



VIEW G-G

spec ref	*	dr	DuWa	2010/04/28	projection	MM	size	A2	scale	1:1	
tolerance std	ASME Y14.5	eng	Helen Zhang	2012/07/23			ecn no	-	rel level	Released	
TOLERANCES UNLESS OTHERWISE SPECIFIED		chr	-	app							Pei-Ming Zheng
surface	✓	linear	0.X	±.5		R/A HDR ASSY IP-4S-IP HCI POWER CONNECTOR	dwg no 10108304	rev A	Product - Customer Drw		
ASME Y14.5	angular	0°	±2°	www.fci.com					cat. no.	-	sheet 2 of 5



**RECOMMENDED PCB LAYOUT
COMPONENT SIDE**

NOTE 6

spec ref	*	dr	DuWa	2010/04/28	projection	MM	size	A2	scale	4:1
tolerance std	ASME Y14.5	eng	Helen Zhang	2012/07/23	chr	-	ecn no	-	rel level	Released
surface	✓	appr	Pei-Ming Zheng	2012/07/23	product family	-	cat. no.	-	Product - Customer Drw	sheet 3 of 5
ASME Y14.5	linear	0.X	±.5	0.XX	±.25	0.XXX	±.10	angular	0°	±2°
				FCI R/A HDR ASSY IP-4S-1P HCI POWER CONNECTOR		dwg no 10108304		rev A		

A

A

B

B

C

C

D

D

E

E

F

F

TABLE 1 (HCI POWER)
PLATED THROUGH-HOLE REQUIREMENTS

TOP LAYER DESCRIPTION	DRILLED HOLE DIAMETER	COPPER THICKNESS	TIN-LEAD THICKNESS	NICKEL THICKNESS	GOLD THICKNESS	TIN THICKNESS	SILVER THICKNESS	FINISHED HOLE DIAMETER
TIN-LEAD	0.81-0.86 (0.85 DRILL)	0.025 - 0.050	0.005 - 0.015	--	--	--	--	0.65 - 0.80
IMMERSION TIN	0.81-0.86 (0.85 DRILL)	0.025 - 0.050	--	--	--	0.9 - 1.5um	--	0.70 - 0.80
IMMERSION SILVER	0.81-0.86 (0.85 DRILL)	0.025 - 0.050	--	--	--	--	0.15 - 0.65um	0.70 - 0.80
COPPER (SEE NOTE 9)	0.81-0.86 (0.85 DRILL)	0.025 - 0.050	--	--	--	--	--	0.70 - 0.80
GOLD	0.81-0.86 (0.85 DRILL)	0.025 - 0.050	--	0.003 - 0.007	FLASH UP TO 0.0002	--	--	0.69 - 0.80

TABLE 2 (HPC SIGNALS)
PLATED THROUGH-HOLE REQUIREMENTS

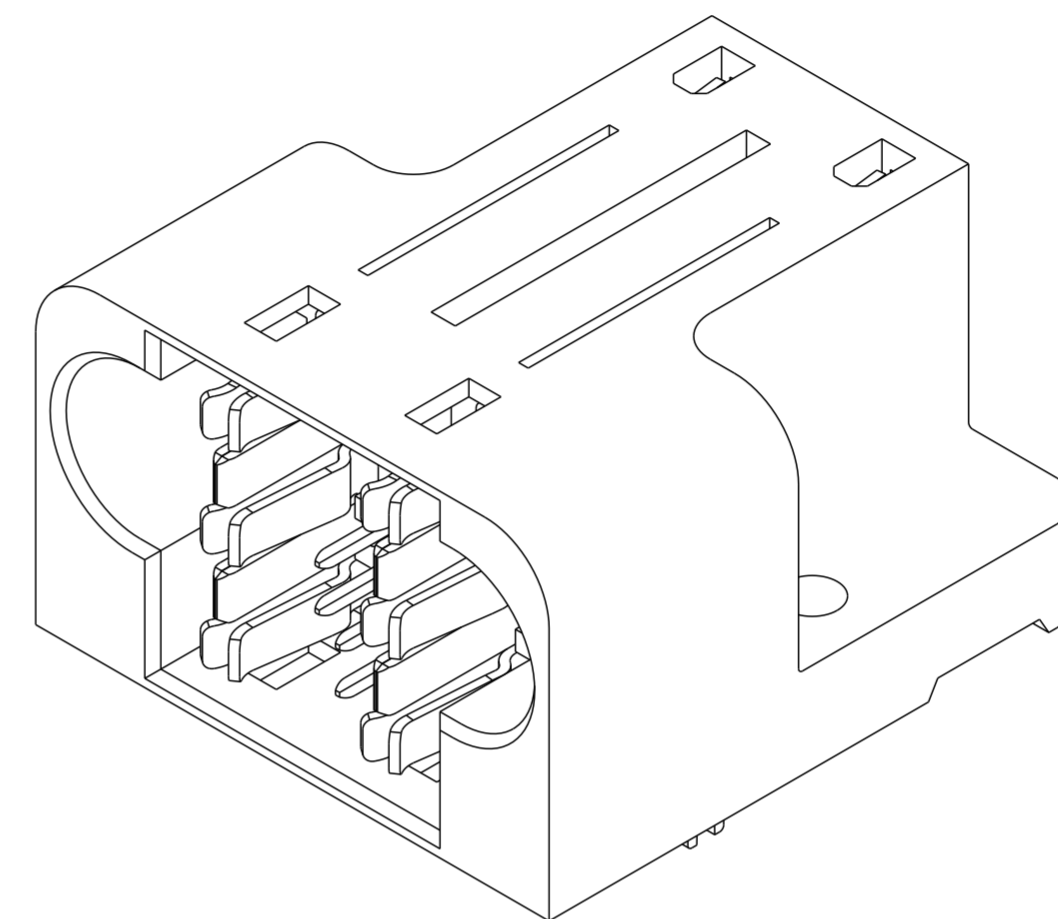
TOP LAYER DESCRIPTION	DRILLED HOLE DIAMETER	COPPER THICKNESS	TIN-LEAD THICKNESS	FINISHED HOLE DIAMETER
TIN-LEAD	1.125-1.175 ($\varnothing .0453 \pm .0010$)	0.025-0.050	0.005-0.015	0.94 - 1.10 ($\varnothing .040 \pm .003$)



Copyright FCI.

spec ref	*	dr	DuWa	2010/04/28	projection	MM	size	A2	scale	4:1								
tolerance std	-	eng	Helen Zhang	2012/07/23			ecn no	-	rel level	Released								
ASME Y14.5	TOLERANCES UNLESS OTHERWISE SPECIFIED	chr	-	apppr							Pei-Ming Zheng	2012/07/23	product family	-				
surface	<table border="1"> <tr> <td>linear</td> <td>0.X</td> <td>±.5</td> </tr> <tr> <td></td> <td>0.XX</td> <td>±.25</td> </tr> <tr> <td></td> <td>0.XXX</td> <td>±.10</td> </tr> <tr> <td>angular</td> <td>0°</td> <td>±2°</td> </tr> </table>	linear	0.X	±.5								0.XX	±.25		0.XXX	±.10	angular	0°
linear	0.X	±.5																
	0.XX	±.25																
	0.XXX	±.10																
angular	0°	±2°																
ASME Y14.5	<table border="1"> <tr> <td>linear</td> <td>0.X</td> <td>±.5</td> </tr> <tr> <td></td> <td>0.XX</td> <td>±.25</td> </tr> <tr> <td></td> <td>0.XXX</td> <td>±.10</td> </tr> <tr> <td>angular</td> <td>0°</td> <td>±2°</td> </tr> </table>	linear	0.X	±.5		0.XX	±.25		0.XXX	±.10	angular	0°	±2°		title R/A HDR ASSY IP-4S-IP HCI POWER CONNECTOR	dwg no 10108304	rev A	
linear	0.X	±.5																
	0.XX	±.25																
	0.XXX	±.10																
angular	0°	±2°																

PART NUMBER	RETENTION CLIPS	#4 SCREW	DIM A (TAIL LENGTH)	TAIL TYPE
10108304-001LF	NO	YES	3.43	SOLDER TAIL
10108304-002LF	NO	YES	4.70	SOLDER TAIL
10108304-003LF	YES	NO	3.43	SOLDER TAIL
10108304-004LF	YES	NO	4.70	SOLDER TAIL



NOTES:

1. CONNECTOR MATERIALS:
HOUSING: HIGH TEMPERATURE THERMOPLASTIC, BLACK
UL 94V-0 COMPLIANT
CONTACTS: HIGH PERFORMANCE COPPER ALLOY
2. CONTACT FINISH (ref GS-12-380 SECTION 5.2)
3. PRODUCT SPECIFICATION: GS-12-380. (IN PROGRESS)
4. APPLICATION SPECIFICATION: GS-20-070. (IN PROGRESS)
5. MINIMUM NOMINAL PCB THICKNESS: 1.6mm
6. PACKAGING MEETS FCI SPECIFICATION GS-14-1073.
7. HOUSING COMPONENT WILL WITHSTAND EXPOSURE TO 260°C PEAK TEMPERATURE FOR 60 SECONDS IN A CONVECTION, INFRA-RED, OR VAPOR PHASE REFLOW OVEN.
8. COPPER PLATING THICKNESS IN CENTER OF VIA-HOLE CAN BE NO MORE THAN 0.003 LESS THAN OTHER AREAS.
9. ALL HOLE SIZES ARE FINISHED HOLE SIZES.
10. MOUNTING HOLES ARE UNPLATED.

spec ref	*	dr	DuWa	2010/04/28	projection	MM	size	A2	scale	1:1												
tolerance std	ASME Y14.5	eng	Helen Zhang	2012/07/23			ecn no	-	Released													
TOLERANCES UNLESS OTHERWISE SPECIFIED		chr	-	product family			-	rel level	-													
surface	<table border="1"> <tr> <td>linear</td> <td>0.X</td> <td>±.5</td> </tr> <tr> <td></td> <td>0.XX</td> <td>±.25</td> </tr> <tr> <td></td> <td>0.XXX</td> <td>±.10</td> </tr> <tr> <td>angular</td> <td>0°</td> <td>±2°</td> </tr> </table>	linear	0.X	±.5				0.XX	±.25		0.XXX	±.10	angular	0°	±2°	appr	Pei-Ming Zheng	2012/07/23		FCI R/A HDR ASSY IP-4S-1P HCI POWER CONNECTOR	dwg no 10108304	rev A
linear	0.X	±.5																				
	0.XX	±.25																				
	0.XXX	±.10																				
angular	0°	±2°																				
ASME Y14.5		www.fci.com	cat. no.	-	Product - Customer Drw	sheet 5 of 5																