

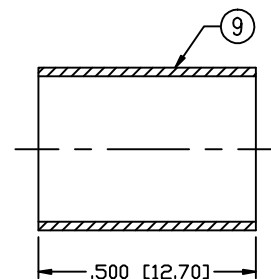
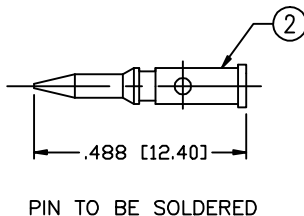
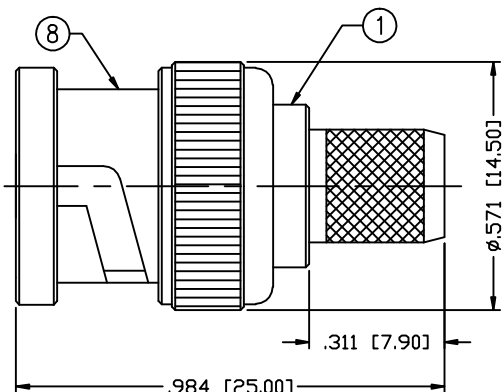
THIS DRAWING CONTAINS INFORMATION PROPRIETARY TO RF INDUSTRIES,
 ANY UNAUTHORIZED USE OF THIS DRAWING IS EXPRESSLY PROHIBITED
 WITHOUT WRITTEN PERMISSION FROM RF INDUSTRIES.
 ANY VIOLATION IS PUNISHABLE UNDER U.S. COPYRIGHT LAWS.

ALL DIMENSIONS ARE REFERENCE ONLY

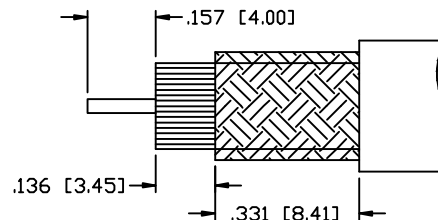
PART NO.

RFB-1708

REV	DESCRIPTION	DWN	DATE	APPROVED
A	ENGINEERING RELEASE	CZS	11/25/97	R. RICE
B	CHG. OVERALL, PIN ID & STRIPING DIMS / PART# WAS 8806	CZS	4/18/03	JDMc
C	ADDED STRIPPING DIMENSIONS	CZS	06/13/08	JDMc



RECOMMENDED CRIMP DIE: .315"



RECOMMENDED STRIPPING DIMENSIONS

SPECIFICATIONS:

IMPEDANCE: 75 Ohms
 FREQUENCY RANGE: 0-1 GHz
 WORKING VOLTAGE: 500 V rms @ sea level
 TEMPERATURE RANGE: -65°C TO 85°C
 INSULATION RESISTANCE: 5k M Ohms min.
 FOR BELDEN 8281, 8281B, 8281F, 9231 & WE 724 CABLE

1	BODY	1	BRASS	NICKEL, 100μ"	000486	
2	PIN	1	BRASS	GOLD, 3μ"		
3	INSULATOR	1	DELTRIN	----		
4	WASHER	1	BRASS	NICKEL, 100μ"		
5	SPRING	1	SK-5	NICKEL, 100μ"		
6	LOCK WASHER	1	BRASS	NICKEL, 100μ"		
7	GASKET	1	RUBBER	----		
8	SHELL	1	BRASS	NICKEL, 100μ"		
9	FERRULE	1	BRASS	NICKEL, 100μ"		
10					DRAWN	
11					C. ZUNIGA	
12					CHECKED	
13					ORJ DRAWN	
14					C. ZUNIGA	
#	DESCRIPTION	QTY	MATERIAL	FINISH	APPROVALS	DATE

UNLESS OTHERWISE SPECIFIED:

DIMENSIONS ARE IN INCHES
 AND [MILLIMETERS]
 UNLESS OTHERWISE NOTED
 TOLERANCES ARE:
 DECIMALS DIAMETER

RFconnectors
 DIVISION OF RF INDUSTRIES, LTD.

7610 MIRAMAR RD
 SAN DIEGO, CA 92126
 (858) 549-6340
 (858) 549-6345 FAX

BNC PLUG, CRIMP

SIZE	CABLE GROUP	DWG NO.	REV
A	G	RFB-1708	C
SCALE:	NTS	CAD FILE	OUTLINE
		SHEET 1 OF 1	