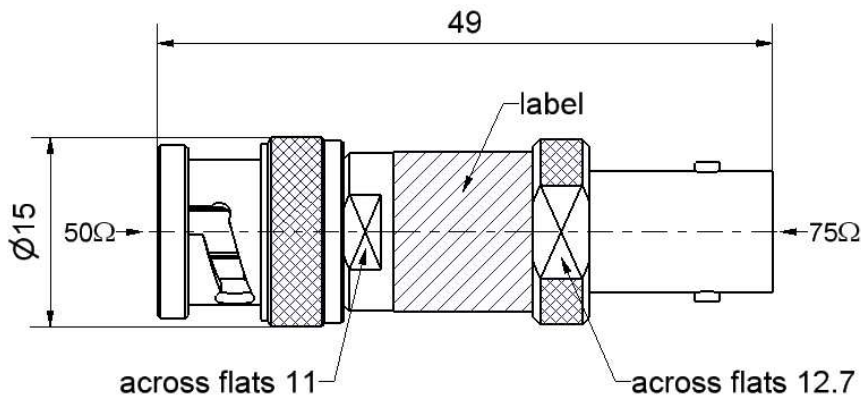
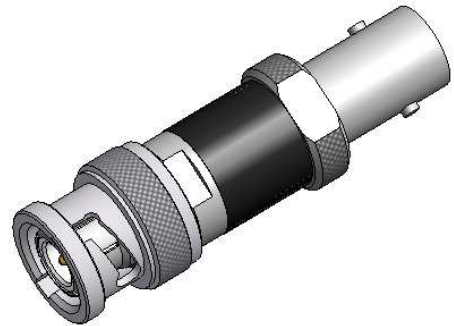


BNC

Matching Attenuator  
50 Ω Plug – 75 Ω Jack

**51S171-K00N4**



All dimensions are in mm; tolerances according to ISO 2768 m-H

**Interface**

According to DIN EN 61169-8

**Documents**

N/A

**Material and plating**

**Connector parts**

- Center conductor - 50 Ω
- Center conductor - 75 Ω
- Outer conductor
- Coupling nut
- Dielectric
- Substrate

**Material**

- Brass
- Beryllium copper
- Brass
- Brass
- PTFE
- Al<sub>2</sub>O<sub>3</sub>

**Plating**

- Gold, min. 0.8 μm, over nickel
- Gold, min. 0.8 μm, over nickel
- Flash white bronze over silver(e.g. Optargen®)
- Flash white bronze over silver(e.g. Optargen®)

**Technical Data Sheet****Rosenberger****BNC****Matching Attenuator**  
50 Ω Plug – 75 Ω Jack**51S171-K00N4****Electrical data**

Impedance	50 Ω; (m) side	75 Ω, (f) side
Frequency	DC to 2 GHz	
Return loss	≥ 46.0 dB, (m) side	DC to 30 MHz ≥ 44.5 dB, (f) side
	≥ 42.0 dB, (m) side	30 MHz to 100 MHz ≥ 40.1 dB, (f) side
	≥ 36.6 dB, (m) side	100 MHz to 300 MHz ≥ 34.1 dB, (f) side
	≥ 28.3 dB, (m) side	300 MHz to 0.5 GHz ≥ 28.3 dB, (f) side
	≥ 26.4 dB, (m) side	0.5 GHz to 1 GHz ≥ 23.1 dB, (f) side
	≥ 23.1 dB, (m) side	1 GHz to 2 GHz ≥ 16.5 dB, (f) side
Attenuation	5.72 dB (non warranted)	
Power handling (at 25 °C, sea level)	≤ 1 W, derated linearity by 0.01 W/K	

**Mechanical data**

Mating cycles	≥ 500
Center contact captivation	≥ 27 N

**Environmental data**

Temperature range	-65 °C to +165 °C
RoHS	compliant

**Tooling**

N/A

**Suitable cables**

N/A

**Packing**

Standard	1 pce in bag
Weight	24.5 g/pce

While the information has been carefully compiled to the best of our knowledge, nothing is intended as representation or warranty on our part and no statement herein shall be construed as recommendation to infringe existing patents. In the effort to improve our products, we reserve the right to make changes judged to be necessary.

Draft	Date	Approved	Date	Rev.	Engineering change number	Name	Date
Kerstin Herzog	10.03.05	Markus Müller	22.05.18	c00	18-1027	Marion Striegler	22.05.18
Rosenberger Hochfrequenztechnik GmbH & Co. KG P.O.Box 1260 D-84526 Tittmoning Germany www.rosenberger.de						Tel. : +49 8684 18-0 Email : info@rosenberger.de	
							Page 2 / 2