

THIS DRAWING IS UNPUBLISHED. RELEASED FOR PUBLICATION
 © COPYRIGHT BY TYCO ELECTRONICS CORPORATION. ALL RIGHTS RESERVED.

LOC		DIST		REVISIONS			
P	LTR	DESCRIPTION		DATE	DWN	APVD	
	F1	REVISED PER ECO-10-000443		18JAN10	KK	HMR	

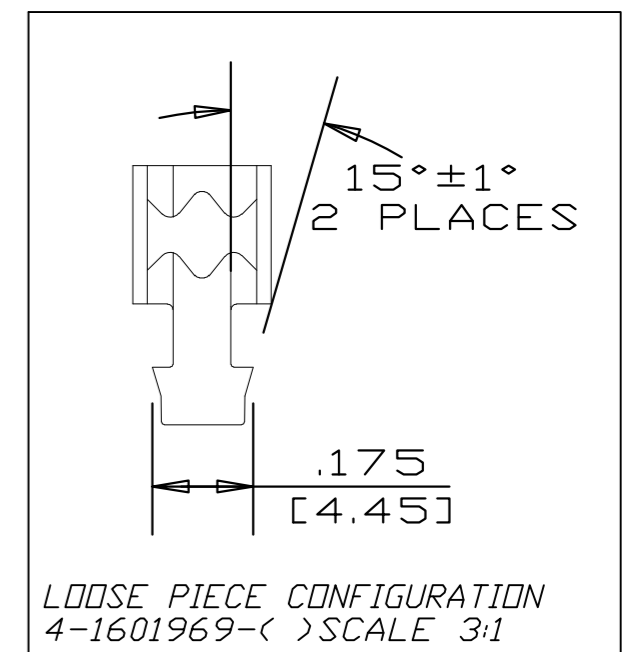
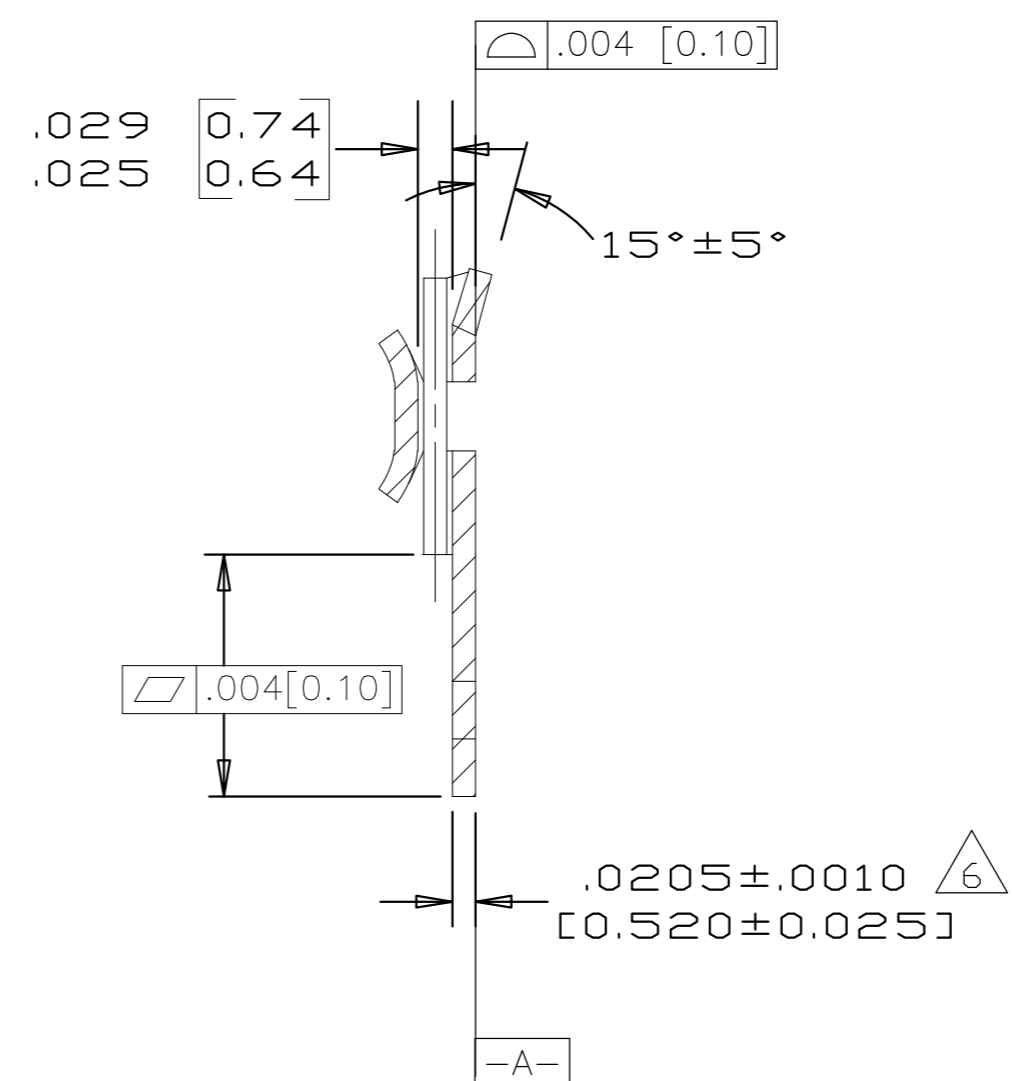
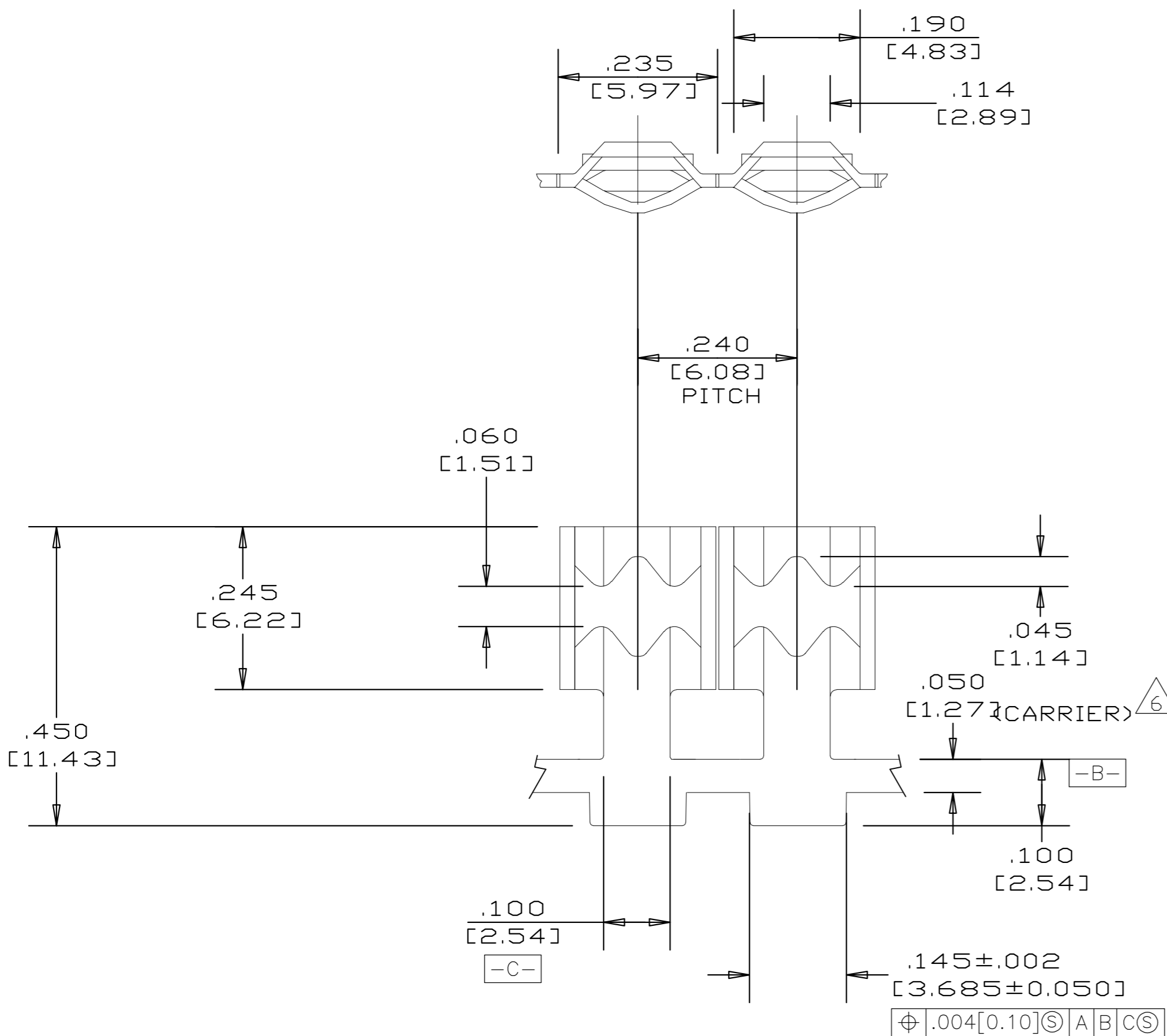
1. SPECIFICATIONS:

TAB BLADE 2mm x 0.8mm
 OTHER SIZES MAY BE ACCOMMODATED,
 CONSULT TYCO ELECTRONICS
 FOR APPROVAL.

2. POCKET RECOMMENDATION: 1601441.

3. TERMINAL SUPPLIED ON REELS,
 CAN BE SUPPLIED LOOSE PIECE,

- 4. PRE-TIN PLATE OVER COPPER UNDERPLATE.
- 5. POST-TIN PLATE OVER NICKEL UNDERPLATE.
- 6. CARRIER STRIP THICKNESS OVER THREE TERMINALS
 INCLUSIVE NOT TO EXCEED .024 [0.61] MAX



7. OBSOLETE PARTS: OBSOLETE CIS STREAMLINING PER D.RENAUD/D.SINISI

FINISH	FINISH	FINISH	REFERENCE PART NUMBER	TYCO PART NUMBER
H03 BRASS	N/A	4	016-011-014	4-1601969-2
H02 PHOSPHOR BRONZE	MASONITE	5	N/A	2-1601969-3
H03 BRASS	CARDBOARD	4	116-012-014	2-1601969-2
H03 BRASS	CARDBOARD	4	116-011-014	1601969-2

THIS DRAWING IS A CONTROLLED DOCUMENT.		DWN 28MAR2002 MICHAEL S. FEHER	Tyco Electronics Corporation Harrisburg, Pa 17105-3608	
DIMENSIONS: INCHES		CHK 28MAR2002 GENE JACONO	NAME: 2.0mm X 0.8mm BLADE RECEPTACLE TERMINAL	
TOLERANCES UNLESS OTHERWISE SPECIFIED:		APVD 28MAR2002 GENE JACONO	PRODUCT SPEC	
0 PLC ± -		APPLICATION SPEC		
1 PLC ± -		WEIGHT -		
2 PLC ± .01[0.25]		SIZE A2		
3 PLC ± .005[0.13]		CAGE CODE 00779		
4 PLC ± -		DRAWING NO C=1601969		
ANGLES ± 2°		RESTRICTED TO -		
FINISH SEE TABLE		SCALE 6:1 SHEET 1 OF 1 REV F1		
MATERIAL SEE TABLE		CUSTOMER DRAWING		

