

## 36-Mbit (1 M × 36/2 M × 18) Pipelined DCD Sync SRAM

### Features

- Supports bus operation up to 250 MHz
- Available speed grades are 250, 200, and 167 MHz
- Registered inputs and outputs for pipelined operation
- Optimal for performance (double-cycle deselect)
- Depth expansion without wait state
- 3.3 V core power supply
- 2.5 V/3.3 V I/O power supply
- Fast clock-to-output times
  - 2.6 ns (for 250-MHz device)
- Provide high-performance 3-1-1-1 access rate
- User-selectable burst counter supporting Intel® Pentium® interleaved or linear burst sequences
- Separate processor and controller address strobes
- Synchronous self-timed writes
- Asynchronous output enable
- CY7C1444AV33, CY7C1445AV33 available in JEDEC-standard Pb-free 100-pin TQFP package and Pb-free and non Pb-free 165-ball FBGA package
- IEEE 1149.1 JTAG-compatible boundary scan
- “ZZ” sleep mode option

### Functional Description<sup>[1]</sup>

The CY7C1444AV33/CY7C1445AV33 SRAM integrates 1 M × 36/2 M × 18 SRAM cells with advanced synchronous peripheral circuitry and a two-bit counter for internal burst operation. All synchronous inputs are gated by registers controlled by a positive-edge-triggered clock input (CLK). The synchronous inputs include all addresses, all data inputs, address-pipelining chip enable (CE<sub>1</sub>), depth-expansion chip enables (CE<sub>2</sub> and CE<sub>3</sub>), burst control inputs (ADSC, ADSP, and ADV), write enables (BW<sub>X</sub>, and BWE), and global write (GW). Asynchronous inputs include the output enable (OE) and the ZZ pin.

Addresses and chip enables are registered at rising edge of clock when either address strobe processor (ADSP) or address strobe controller (ADSC) are active. Subsequent burst addresses can be internally generated as controlled by the advance pin (ADV).

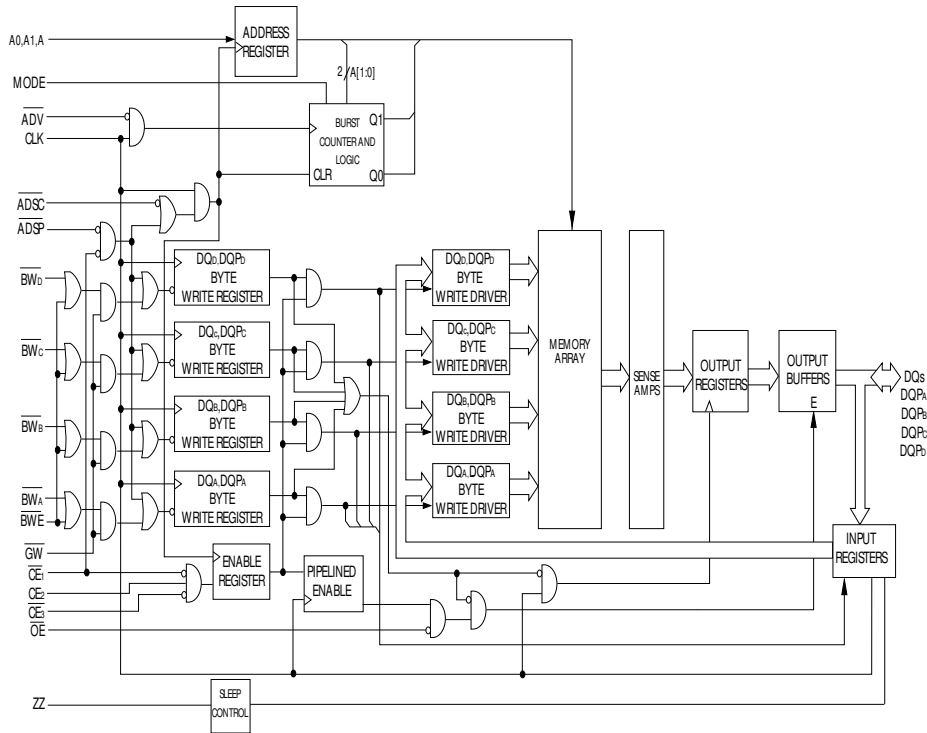
Address, data inputs, and write controls are registered on-chip to initiate a self-timed write cycle. This part supports byte write operations (see Pin Descriptions and Truth Table for further details). Write cycles can be one to four bytes wide as controlled by the byte write control inputs. GW active LOW causes all bytes to be written. This device incorporates an additional pipelined enable register which delays turning off the output buffers an additional cycle when a deselect is executed. This feature allows depth expansion without penalizing system performance.

The CY7C1444AV33/CY7C1445AV33 operates from a +3.3 V core power supply while all outputs operate with a +3.3 V or a +2.5 V supply. All inputs and outputs are JEDEC-standard JESD8-5-compatible.

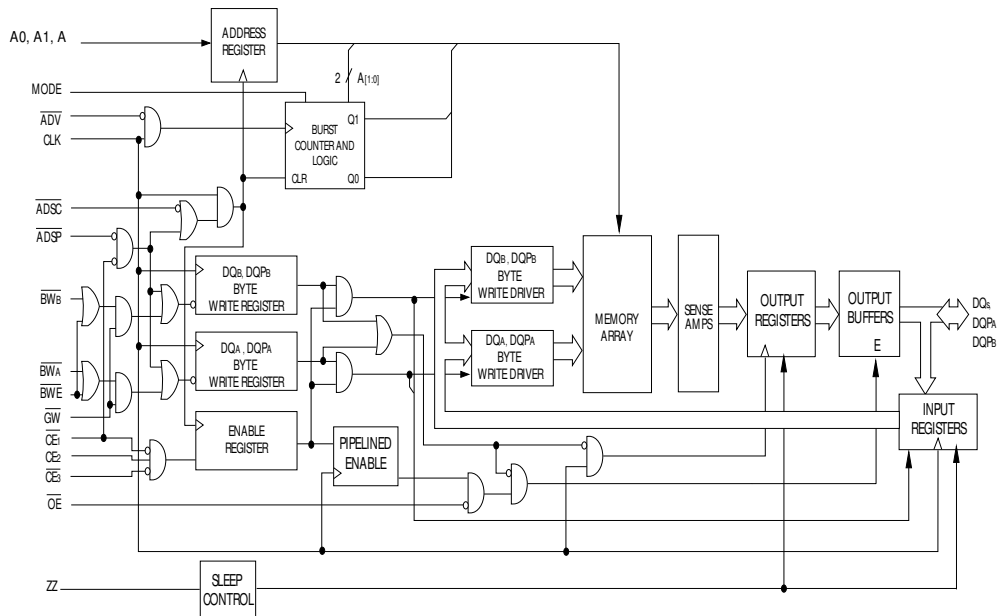
#### Note

1. For best-practices recommendations, please refer to the Cypress application note *System Design Guidelines* on [www.cypress.com](http://www.cypress.com).

**Logic Block Diagram – CY7C1444AV33 (1 M × 36)**



**Logic Block Diagram – CY7C1445AV33 (2 M × 18)**



## Contents

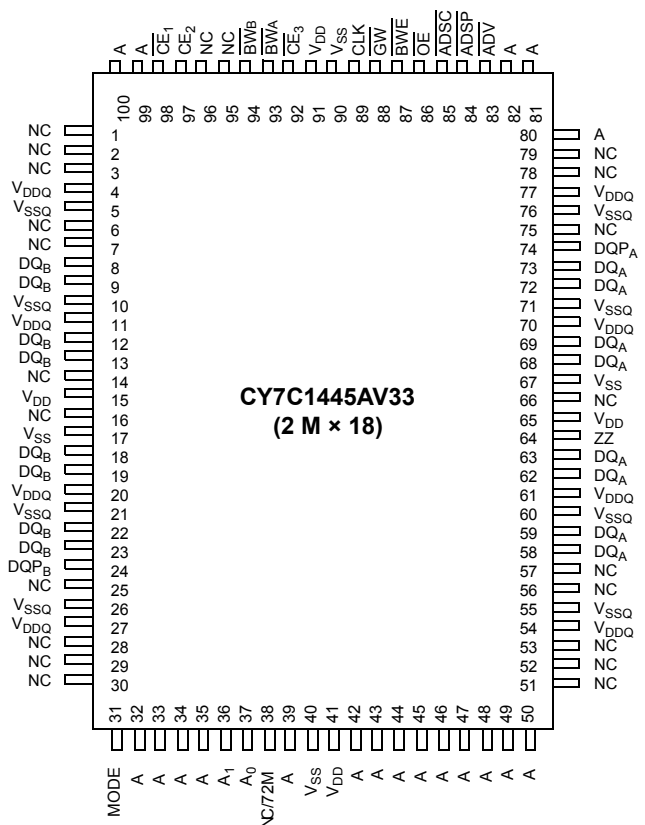
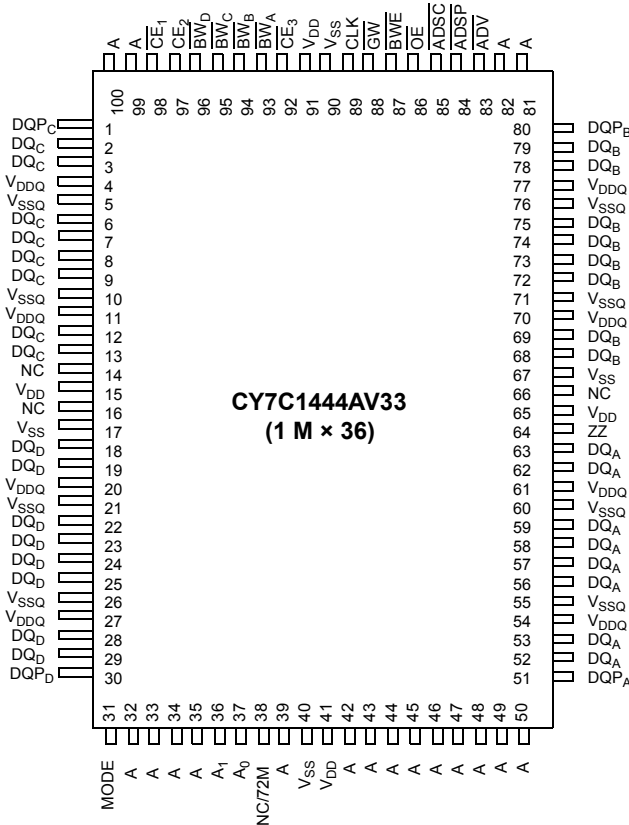
|  |    |  |    |
|--|----|--|----|
| <b>Selection Guide</b> .....                         | 4  | <b>TAP DC Electrical Characteristics</b>             |    |
| <b>Pin Configurations</b> .....                      | 4  | <b>And Operating Conditions</b> .....                | 14 |
| <b>Pin Definitions</b> .....                         | 6  | <b>Identification Register Definitions</b> .....     | 15 |
| <b>Functional Overview</b> .....                     | 7  | <b>Scan Register Sizes</b> .....                     | 15 |
| Single Read Accesses .....                           | 7  | <b>Identification Codes</b> .....                    | 15 |
| Single Write Accesses Initiated by ADSP .....        | 7  | <b>165-ball FBGA Boundary Scan Order</b> .....       | 16 |
| Single Write Accesses Initiated by ADSC .....        | 7  | <b>Maximum Ratings</b> .....                         | 17 |
| Burst Sequences .....                                | 8  | <b>Operating Range</b> .....                         | 17 |
| Sleep Mode .....                                     | 8  | <b>Electrical Characteristics</b> .....              | 17 |
| <b>Interleaved Burst Address Table</b>               |    | <b>Capacitance</b> .....                             | 18 |
| <b>(MODE = Floating or V<sub>DD</sub>)</b> .....     | 8  | <b>Thermal Resistance</b> .....                      | 18 |
| <b>Linear Burst Address Table (MODE = GND)</b> ..... | 8  | <b>AC Test Loads and Waveforms</b> .....             | 18 |
| <b>ZZ Mode Electrical Characteristics</b> .....      | 8  | <b>Switching Characteristics</b> .....               | 19 |
| <b>Truth Table</b> .....                             | 9  | <b>Switching Waveforms</b> .....                     | 20 |
| <b>Partial Truth Table for Read/Write</b> .....      | 10 | Read Cycle Timing .....                              | 20 |
| <b>IEEE 1149.1 Serial Boundary Scan (JTAG)</b> ..... | 11 | Write Cycle Timing .....                             | 21 |
| Disabling the JTAG Feature .....                     | 11 | Read/Write Cycle Timing .....                        | 22 |
| <b>TAP Controller State Diagram</b> .....            | 11 | ZZ Mode Timing .....                                 | 23 |
| Test Access Port (TAP) .....                         | 11 | <b>Ordering Information</b> .....                    | 24 |
| <b>TAP Controller Block Diagram</b> .....            | 11 | Ordering Code Definitions .....                      | 24 |
| PERFORMING A TAP RESET .....                         | 11 | <b>Package Diagram</b> .....                         | 25 |
| TAP REGISTERS .....                                  | 11 | <b>Acronyms</b> .....                                | 26 |
| TAP Instruction Set .....                            | 12 | <b>Document Conventions</b> .....                    | 26 |
| <b>TAP Timing</b> .....                              | 13 | Units of Measure .....                               | 26 |
| <b>TAP AC Switching Characteristics</b> .....        | 13 | <b>Document History Page</b> .....                   | 27 |
| <b>3.3 V TAP AC Test Conditions</b> .....            | 14 | <b>Sales, Solutions, and Legal Information</b> ..... | 28 |
| <b>3.3 V TAP AC Output Load Equivalent</b> .....     | 14 | Worldwide Sales and Design Support .....             | 28 |
| <b>2.5 V TAP AC Test Conditions</b> .....            | 14 | Products .....                                       | 28 |
| <b>2.5 V TAP AC Output Load Equivalent</b> .....     | 14 | PSoC Solutions .....                                 | 28 |

### Selection Guide

|                              | 250 MHz | 200 MHz | 167 MHz | Unit |
|------------------------------|---------|---------|---------|------|
| Maximum access time          | 2.6     | 3.2     | 3.4     | ns   |
| Maximum operating current    | 475     | 425     | 375     | mA   |
| Maximum CMOS standby current | 120     | 120     | 120     | mA   |

### Pin Configurations

#### 100-pin TQFP Pinout



**Pin Configurations** (continued)

**165-ball FBGA (15 × 17 × 1.4 mm) Pinout**  
**CY7C1444AV33 (1 M × 36)**

|          | 1                | 2               | 3                 | 4                 | 5                 | 6                 | 7                | 8                 | 9                 | 10              | 11               |
|----------|------------------|-----------------|-------------------|-------------------|-------------------|-------------------|------------------|-------------------|-------------------|-----------------|------------------|
| <b>A</b> | NC/288M          | A               | $\overline{CE}_1$ | $\overline{BW}_C$ | $\overline{BW}_B$ | $\overline{CE}_3$ | $\overline{BWE}$ | $\overline{ADSC}$ | $\overline{ADV}$  | A               | NC               |
| <b>B</b> | NC/144M          | A               | $CE_2$            | $\overline{BW}_D$ | $\overline{BW}_A$ | CLK               | $\overline{GW}$  | $\overline{OE}$   | $\overline{ADSP}$ | A               | NC/576M          |
| <b>C</b> | DQP <sub>C</sub> | NC              | V <sub>DDQ</sub>  | V <sub>SS</sub>   | V <sub>SS</sub>   | V <sub>SS</sub>   | V <sub>SS</sub>  | V <sub>SS</sub>   | V <sub>DDQ</sub>  | NC/1G           | DQP <sub>B</sub> |
| <b>D</b> | DQ <sub>C</sub>  | DQ <sub>C</sub> | V <sub>DDQ</sub>  | V <sub>DD</sub>   | V <sub>SS</sub>   | V <sub>SS</sub>   | V <sub>SS</sub>  | V <sub>DD</sub>   | V <sub>DDQ</sub>  | DQ <sub>B</sub> | DQ <sub>B</sub>  |
| <b>E</b> | DQ <sub>C</sub>  | DQ <sub>C</sub> | V <sub>DDQ</sub>  | V <sub>DD</sub>   | V <sub>SS</sub>   | V <sub>SS</sub>   | V <sub>SS</sub>  | V <sub>DD</sub>   | V <sub>DDQ</sub>  | DQ <sub>B</sub> | DQ <sub>B</sub>  |
| <b>F</b> | DQ <sub>C</sub>  | DQ <sub>C</sub> | V <sub>DDQ</sub>  | V <sub>DD</sub>   | V <sub>SS</sub>   | V <sub>SS</sub>   | V <sub>SS</sub>  | V <sub>DD</sub>   | V <sub>DDQ</sub>  | DQ <sub>B</sub> | DQ <sub>B</sub>  |
| <b>G</b> | DQ <sub>C</sub>  | DQ <sub>C</sub> | V <sub>DDQ</sub>  | V <sub>DD</sub>   | V <sub>SS</sub>   | V <sub>SS</sub>   | V <sub>SS</sub>  | V <sub>DD</sub>   | V <sub>DDQ</sub>  | DQ <sub>B</sub> | DQ <sub>B</sub>  |
| <b>H</b> | NC               | NC              | NC                | V <sub>DD</sub>   | V <sub>SS</sub>   | V <sub>SS</sub>   | V <sub>SS</sub>  | V <sub>DD</sub>   | NC                | NC              | ZZ               |
| <b>J</b> | DQ <sub>D</sub>  | DQ <sub>D</sub> | V <sub>DDQ</sub>  | V <sub>DD</sub>   | V <sub>SS</sub>   | V <sub>SS</sub>   | V <sub>SS</sub>  | V <sub>DD</sub>   | V <sub>DDQ</sub>  | DQ <sub>A</sub> | DQ <sub>A</sub>  |
| <b>K</b> | DQ <sub>D</sub>  | DQ <sub>D</sub> | V <sub>DDQ</sub>  | V <sub>DD</sub>   | V <sub>SS</sub>   | V <sub>SS</sub>   | V <sub>SS</sub>  | V <sub>DD</sub>   | V <sub>DDQ</sub>  | DQ <sub>A</sub> | DQ <sub>A</sub>  |
| <b>L</b> | DQ <sub>D</sub>  | DQ <sub>D</sub> | V <sub>DDQ</sub>  | V <sub>DD</sub>   | V <sub>SS</sub>   | V <sub>SS</sub>   | V <sub>SS</sub>  | V <sub>DD</sub>   | V <sub>DDQ</sub>  | DQ <sub>A</sub> | DQ <sub>A</sub>  |
| <b>M</b> | DQ <sub>D</sub>  | DQ <sub>D</sub> | V <sub>DDQ</sub>  | V <sub>DD</sub>   | V <sub>SS</sub>   | V <sub>SS</sub>   | V <sub>SS</sub>  | V <sub>DD</sub>   | V <sub>DDQ</sub>  | DQ <sub>A</sub> | DQ <sub>A</sub>  |
| <b>N</b> | DQP <sub>D</sub> | NC              | V <sub>DDQ</sub>  | V <sub>SS</sub>   | NC                | A                 | NC               | V <sub>SS</sub>   | V <sub>DDQ</sub>  | NC              | DQP <sub>A</sub> |
| <b>P</b> | NC               | NC/72M          | A                 | A                 | TDI               | A1                | TDO              | A                 | A                 | A               | A                |
| <b>R</b> | MODE             | A               | A                 | A                 | TMS               | A0                | TCK              | A                 | A                 | A               | A                |

**CY7C1445AV33 (2 M × 18)**

|          | 1                | 2               | 3                 | 4                 | 5                 | 6                 | 7                | 8                 | 9                 | 10              | 11               |
|----------|------------------|-----------------|-------------------|-------------------|-------------------|-------------------|------------------|-------------------|-------------------|-----------------|------------------|
| <b>A</b> | NC/288M          | A               | $\overline{CE}_1$ | $\overline{BW}_B$ | NC                | $\overline{CE}_3$ | $\overline{BWE}$ | $\overline{ADSC}$ | $\overline{ADV}$  | A               | A                |
| <b>B</b> | NC/144M          | A               | $CE_2$            | NC                | $\overline{BW}_A$ | CLK               | $\overline{GW}$  | $\overline{OE}$   | $\overline{ADSP}$ | A               | NC/576M          |
| <b>C</b> | NC               | NC              | V <sub>DDQ</sub>  | V <sub>SS</sub>   | V <sub>SS</sub>   | V <sub>SS</sub>   | V <sub>SS</sub>  | V <sub>SS</sub>   | V <sub>DDQ</sub>  | NC/1G           | DQP <sub>A</sub> |
| <b>D</b> | NC               | DQ <sub>B</sub> | V <sub>DDQ</sub>  | V <sub>DD</sub>   | V <sub>SS</sub>   | V <sub>SS</sub>   | V <sub>SS</sub>  | V <sub>DD</sub>   | V <sub>DDQ</sub>  | NC              | DQ <sub>A</sub>  |
| <b>E</b> | NC               | DQ <sub>B</sub> | V <sub>DDQ</sub>  | V <sub>DD</sub>   | V <sub>SS</sub>   | V <sub>SS</sub>   | V <sub>SS</sub>  | V <sub>DD</sub>   | V <sub>DDQ</sub>  | NC              | DQ <sub>A</sub>  |
| <b>F</b> | NC               | DQ <sub>B</sub> | V <sub>DDQ</sub>  | V <sub>DD</sub>   | V <sub>SS</sub>   | V <sub>SS</sub>   | V <sub>SS</sub>  | V <sub>DD</sub>   | V <sub>DDQ</sub>  | NC              | DQ <sub>A</sub>  |
| <b>G</b> | NC               | DQ <sub>B</sub> | V <sub>DDQ</sub>  | V <sub>DD</sub>   | V <sub>SS</sub>   | V <sub>SS</sub>   | V <sub>SS</sub>  | V <sub>DD</sub>   | V <sub>DDQ</sub>  | NC              | DQ <sub>A</sub>  |
| <b>H</b> | NC               | NC              | NC                | V <sub>DD</sub>   | V <sub>SS</sub>   | V <sub>SS</sub>   | V <sub>SS</sub>  | V <sub>DD</sub>   | NC                | NC              | ZZ               |
| <b>J</b> | DQ <sub>B</sub>  | NC              | V <sub>DDQ</sub>  | V <sub>DD</sub>   | V <sub>SS</sub>   | V <sub>SS</sub>   | V <sub>SS</sub>  | V <sub>DD</sub>   | V <sub>DDQ</sub>  | DQ <sub>A</sub> | NC               |
| <b>K</b> | DQ <sub>B</sub>  | NC              | V <sub>DDQ</sub>  | V <sub>DD</sub>   | V <sub>SS</sub>   | V <sub>SS</sub>   | V <sub>SS</sub>  | V <sub>DD</sub>   | V <sub>DDQ</sub>  | DQ <sub>A</sub> | NC               |
| <b>L</b> | DQ <sub>B</sub>  | NC              | V <sub>DDQ</sub>  | V <sub>DD</sub>   | V <sub>SS</sub>   | V <sub>SS</sub>   | V <sub>SS</sub>  | V <sub>DD</sub>   | V <sub>DDQ</sub>  | DQ <sub>A</sub> | NC               |
| <b>M</b> | DQ <sub>B</sub>  | NC              | V <sub>DDQ</sub>  | V <sub>DD</sub>   | V <sub>SS</sub>   | V <sub>SS</sub>   | V <sub>SS</sub>  | V <sub>DD</sub>   | V <sub>DDQ</sub>  | DQ <sub>A</sub> | NC               |
| <b>N</b> | DQP <sub>B</sub> | NC              | V <sub>DDQ</sub>  | V <sub>SS</sub>   | NC                | A                 | NC               | V <sub>SS</sub>   | V <sub>DDQ</sub>  | NC              | NC               |
| <b>P</b> | NC               | NC/72M          | A                 | A                 | TDI               | A1                | TDO              | A                 | A                 | A               | A                |
| <b>R</b> | MODE             | A               | A                 | A                 | TMS               | A0                | TCK              | A                 | A                 | A               | A                |

## Pin Definitions

| Name   | I/O                | Description  |
|--|--------------------|--|
| A <sub>0</sub> , A <sub>1</sub> , A  | Input-synchronous  | <b>Address inputs used to select one of the address locations.</b> Sampled at the rising edge of the CLK if ADSP or ADSC is active LOW, and CE <sub>1</sub> , CE <sub>2</sub> , and CE <sub>3</sub> are sampled active. A <sub>1</sub> : A <sub>0</sub> are fed to the two-bit counter.  |
| $\overline{BW}_A$ , $\overline{BW}_B$<br>$\overline{BW}_C$ , $\overline{BW}_D$ | Input-synchronous  | <b>Byte write select inputs, active LOW.</b> Qualified with BWE to conduct byte writes to the SRAM. Sampled on the rising edge of CLK.   |
| $\overline{GW}$  | Input-synchronous  | <b>Global write enable input, active LOW.</b> When asserted LOW on the rising edge of CLK, a global write is conducted (all bytes are written, regardless of the values on $\overline{BW}_X$ and BWE).   |
| $\overline{BWE}$   | Input-synchronous  | <b>Byte write enable input, active LOW.</b> Sampled on the rising edge of CLK. This signal must be asserted LOW to conduct a byte write.   |
| CLK  | Input-clock        | <b>Clock input.</b> Used to capture all synchronous inputs to the device. Also used to increment the burst counter when ADV is asserted LOW, during a burst operation.   |
| $\overline{CE}_1$  | Input-synchronous  | <b>Chip enable 1 input, active LOW.</b> Sampled on the rising edge of CLK. Used in conjunction with CE <sub>2</sub> and $\overline{CE}_3$ to select/deselect the device. ADSP is ignored if $\overline{CE}_1$ is HIGH. $\overline{CE}_1$ is sampled only when a new external address is loaded.  |
| CE <sub>2</sub>  | Input-synchronous  | <b>Chip enable 2 input, active HIGH.</b> Sampled on the rising edge of CLK. Used in conjunction with CE <sub>1</sub> and CE <sub>3</sub> to select/deselect the device. CE <sub>2</sub> is sampled only when a new external address is loaded.   |
| CE <sub>3</sub>  | Input-synchronous  | <b>Chip enable 3 input, active LOW.</b> Sampled on the rising edge of CLK. Used in conjunction with CE <sub>1</sub> and CE <sub>2</sub> to select/deselect the device. Not connected for BGA. Where referenced, CE <sub>3</sub> is assumed active throughout this document for BGA. CE <sub>3</sub> is sampled only when a new external address is loaded.   |
| $\overline{OE}$  | Input-asynchronous | <b>Output enable, asynchronous input, active LOW.</b> Controls the direction of the I/O pins. When LOW, the I/O pins behave as outputs. When deasserted HIGH, DQ pins are tri-stated, and act as input data pins. $\overline{OE}$ is masked during the first clock of a read cycle when emerging from a deselected state.  |
| ADV  | Input-synchronous  | <b>Advance input signal, sampled on the rising edge of CLK, active LOW.</b> When asserted, it automatically increments the address in a burst cycle.   |
| ADSP   | Input-synchronous  | <b>Address strobe from processor, sampled on the rising edge of CLK, active LOW.</b> When asserted LOW, addresses presented to the device are captured in the address registers. A <sub>1</sub> : A <sub>0</sub> are also loaded into the burst counter. When ADSP and ADSC are both asserted, only ADSP is recognized. ADSP is ignored when $\overline{CE}_1$ is deasserted HIGH.   |
| ADSC   | Input-synchronous  | <b>Address strobe from controller, sampled on the rising edge of CLK, active LOW.</b> When asserted LOW, addresses presented to the device are captured in the address registers. A <sub>1</sub> : A <sub>0</sub> are also loaded into the burst counter. When ADSP and ADSC are both asserted, only ADSP is recognized.   |
| ZZ   | Input-asynchronous | <b>ZZ “sleep” input, active HIGH.</b> When asserted HIGH places the device in a non-time-critical “sleep” condition with data integrity preserved. For normal operation, this pin has to be LOW or left floating. ZZ pin has an internal pull-down.  |
| DQs, DQPs  | I/O-synchronous    | <b>Bidirectional data I/O lines.</b> As inputs, they feed into an on-chip data register that is triggered by the rising edge of CLK. As outputs, they deliver the data contained in the memory location specified by the addresses presented during the previous clock rise of the read cycle. The direction of the pins is controlled by $\overline{OE}$ . When $\overline{OE}$ is asserted LOW, the pins behave as outputs. When HIGH, DQs and DQP <sub>X</sub> are placed in a tri-state condition. |
| V <sub>DD</sub>  | Power supply       | <b>Power supply inputs to the core of the device.</b>  |
| V <sub>SS</sub>  | Ground             | <b>Ground for the core of the device.</b>  |
| V <sub>SSQ</sub>   | I/O ground         | <b>Ground for the I/O circuitry.</b>   |
| V <sub>DDQ</sub>   | I/O power supply   | <b>Power supply for the I/O circuitry.</b>   |
| MODE   | Input-static       | <b>Selects burst order.</b> When tied to GND selects linear burst sequence. When tied to V <sub>DD</sub> or left floating selects interleaved burst sequence. This is a strap pin and should remain static during device operation. Mode pin has an internal pull-up.  |

## Pin Definitions *(continued)*

| Name   | I/O                            | Description  |
|--|--------------------------------|--|
| TDO  | JTAG serial output synchronous | <b>Serial data-out to the JTAG circuit.</b> Delivers data on the negative edge of TCK. If the JTAG feature is not being utilized, this pin should be disconnected. This pin is not available on TQFP packages.               |
| TDI  | JTAG serial input synchronous  | <b>Serial data-in to the JTAG circuit.</b> Sampled on the rising edge of TCK. If the JTAG feature is not being utilized, this pin can be disconnected or connected to $V_{DD}$ . This pin is not available on TQFP packages. |
| TMS  | JTAG serial input synchronous  | <b>Serial data-in to the JTAG circuit.</b> Sampled on the rising edge of TCK. If the JTAG feature is not being utilized, this pin can be disconnected or connected to $V_{DD}$ . This pin is not available on TQFP packages. |
| TCK  | JTAG-clock                     | <b>Clock input to the JTAG circuitry.</b> If the JTAG feature is not being utilized, this pin must be connected to $V_{SS}$ . This pin is not available on TQFP packages.  |
| NC   | –                              | <b>No Connects.</b> Not internally connected to the die.   |
| NC/72M,<br>NC/144M,<br>NC/288M,<br>NC/576M,<br>NC/1G | –                              | <b>No Connects.</b> Not internally connected to the die. 72M, 144M, 288M, 576M and 1G are address expansion pins are not internally connected to the die.  |

## Functional Overview

All synchronous inputs pass through input registers controlled by the rising edge of the clock. All data outputs pass through output registers controlled by the rising edge of the clock.

The CY7C1444AV33/CY7C1445AV33 supports secondary cache in systems utilizing either a linear or interleaved burst sequence. The interleaved burst order supports Pentium and i486™ processors. The linear burst sequence is suited for processors that utilize a linear burst sequence. The burst order is user selectable, and is determined by sampling the MODE input. Accesses can be initiated with either the processor address strobe ( $\overline{ADSP}$ ) or the controller address strobe ( $\overline{ADSC}$ ). Address advancement through the burst sequence is controlled by the ADV input. A two-bit on-chip wraparound burst counter captures the first address in a burst sequence and automatically increments the address for the rest of the burst access.

Byte write operations are qualified with the byte write enable ( $\overline{BWE}$ ) and byte write select ( $\overline{BW}_X$ ) inputs. A global write enable (GW) overrides all byte write inputs and writes data to all four bytes. All writes are simplified with on-chip synchronous self-timed write circuitry.

Synchronous chip selects  $\overline{CE}_1$ ,  $\overline{CE}_2$ ,  $\overline{CE}_3$  and an asynchronous output enable (OE) provide for easy bank selection and output tri-state control.  $\overline{ADSP}$  is ignored if  $\overline{CE}_1$  is HIGH.

### Single Read Accesses

This access is initiated when the following conditions are satisfied at clock rise: (1)  $\overline{ADSP}$  or  $\overline{ADSC}$  is asserted LOW, (2) chip selects are all asserted active, and (3) the write signals (GW,  $\overline{BWE}$ ) are all deasserted HIGH.  $\overline{ADSP}$  is ignored if  $\overline{CE}_1$  is HIGH. The address presented to the address inputs is stored into the address advancement logic and the address register while being presented to the memory core. The corresponding data is allowed to propagate to the input of the output registers. At the rising edge of the next clock the data is allowed to propagate through the output register and onto the data bus within  $t_{CO}$  if OE is active LOW. The only exception occurs when the SRAM is

emerging from a deselected state to a selected state, its outputs are always tri-stated during the first cycle of the access. After the first cycle of the access, the outputs are controlled by the OE signal. Consecutive single read cycles are supported.

The CY7C1444AV33/CY7C1445AV33 is a double-cycle deselect part. Once the SRAM is deselected at clock rise by the chip select and either  $\overline{ADSP}$  or  $\overline{ADSC}$  signals, its output will tri-state immediately after the next clock rise.

### Single Write Accesses Initiated by $\overline{ADSP}$

This access is initiated when both of the following conditions are satisfied at clock rise: (1)  $\overline{ADSP}$  is asserted LOW, and (2) chip select is asserted active. The address presented is loaded into the address register and the address advancement logic while being delivered to the memory core. The write signals (GW,  $\overline{BWE}$ , and  $\overline{BW}_X$ ) and ADV inputs are ignored during this first cycle.

$\overline{ADSP}$  triggered write accesses require two clock cycles to complete. If GW is asserted LOW on the second clock rise, the data presented to the  $\overline{DQ}_X$  inputs is written into the corresponding address location in the memory core. If GW is HIGH, then the write operation is controlled by  $\overline{BWE}$  and  $\overline{BW}_X$  signals. The CY7C1444AV33/CY7C1445AV33 provides byte write capability that is described in the Write Cycle Description table. Asserting the byte write enable input ( $\overline{BWE}$ ) with the selected byte write input will selectively write to only the desired bytes. Bytes not selected during a byte write operation will remain unaltered. A synchronous self-timed write mechanism has been provided to simplify the write operations.

Because the CY7C1444AV33/CY7C1445AV33 is a common I/O device, the output enable (OE) must be deasserted HIGH before presenting data to the DQ inputs. Doing so will tri-state the output drivers. As a safety precaution, DQ are automatically tri-stated whenever a write cycle is detected, regardless of the state of OE.

### Single Write Accesses Initiated by $\overline{ADSC}$

$\overline{ADSC}$  write accesses are initiated when the following conditions are satisfied: (1)  $\overline{ADSC}$  is asserted LOW, (2)  $\overline{ADSP}$  is deasserted

HIGH, (3) chip select is asserted active, and (4) the appropriate combination of the write inputs (GW, BWE, and  $\overline{BW}_X$ ) are asserted active to conduct a write to the desired byte(s). ADSC triggered write accesses require a single clock cycle to complete. The address presented is loaded into the address register and the address advancement logic while being delivered to the memory core. The  $\overline{ADV}$  input is ignored during this cycle. If a global write is conducted, the data presented to the  $DQ_X$  is written into the corresponding address location in the memory core. If a byte write is conducted, only the selected bytes are written. Bytes not selected during a byte write operation will remain unaltered. A synchronous self-timed write mechanism has been provided to simplify the write operations.

Because the CY7C1444AV33/CY7C1445AV33 is a common I/O device, the output enable ( $\overline{OE}$ ) must be deasserted HIGH before presenting data to the  $DQ_X$  inputs. Doing so will tri-state the output drivers. As a safety precaution,  $DQ_X$  are automatically tri-stated whenever a write cycle is detected, regardless of the state of  $\overline{OE}$ .

### Burst Sequences

The CY7C1444AV33/CY7C1445AV33 provides a two-bit wraparound counter, fed by  $A_{[1:0]}$ , that implements either an interleaved or linear burst sequence. The interleaved burst sequence is designed specifically to support Intel Pentium applications. The linear burst sequence is designed to support processors that follow a linear burst sequence. The burst sequence is user selectable through the MODE input. Both read and write burst operations are supported.

Asserting  $\overline{ADV}$  LOW at clock rise will automatically increment the burst counter to the next address in the burst sequence. Both read and write burst operations are supported.

### ZZ Mode Electrical Characteristics

| Parameter   | Description                       | Test Conditions           | Min        | Max        | Unit |
|-------------|-----------------------------------|---------------------------|------------|------------|------|
| $I_{DDZZ}$  | Sleep mode standby current        | $ZZ \geq V_{DD} - 0.2 V$  | –          | 100        | mA   |
| $t_{ZZS}$   | Device operation to ZZ            | $ZZ \geq V_{DD} - 0.2 V$  | –          | $2t_{CYC}$ | ns   |
| $t_{ZZREC}$ | ZZ recovery time                  | $ZZ \leq 0.2 V$           | $2t_{CYC}$ | –          | ns   |
| $t_{ZZI}$   | ZZ active to sleep current        | This parameter is sampled | –          | $2t_{CYC}$ | ns   |
| $t_{RZZI}$  | ZZ inactive to exit sleep current | This parameter is sampled | 0          | –          | ns   |

### Sleep Mode

The ZZ input pin is an asynchronous input. Asserting ZZ places the SRAM in a power conservation “sleep” mode. Two clock cycles are required to enter into or exit from this “sleep” mode. While in this mode, data integrity is guaranteed. Accesses pending when entering the “sleep” mode are not considered valid nor is the completion of the operation guaranteed. The device must be deselected prior to entering the “sleep” mode. CEs, ADSP, and ADSC must remain inactive for the duration of  $t_{ZZREC}$  after the ZZ input returns LOW.

### Interleaved Burst Address Table (MODE = Floating or $V_{DD}$ )

| First Address<br>A1: A0 | Second Address<br>A1: A0 | Third Address<br>A1: A0 | Fourth Address<br>A1: A0 |
|-------------------------|--------------------------|-------------------------|--------------------------|
| 00                      | 01                       | 10                      | 11                       |
| 01                      | 00                       | 11                      | 10                       |
| 10                      | 11                       | 00                      | 01                       |
| 11                      | 10                       | 01                      | 00                       |

### Linear Burst Address Table (MODE = GND)

| First Address<br>A1: A0 | Second Address<br>A1: A0 | Third Address<br>A1: A0 | Fourth Address<br>A1: A0 |
|-------------------------|--------------------------|-------------------------|--------------------------|
| 00                      | 01                       | 10                      | 11                       |
| 01                      | 10                       | 11                      | 00                       |
| 10                      | 11                       | 00                      | 01                       |
| 11                      | 00                       | 01                      | 10                       |



**Truth Table**<sup>[2, 3, 4, 5, 6, 7]</sup>

| Operation                   | Add. Used | $\overline{CE}_1$ | $CE_2$ | $\overline{CE}_3$ | ZZ | $\overline{ADSP}$ | $\overline{ADSC}$ | $\overline{ADV}$ | $\overline{WRITE}$ | $\overline{OE}$ | CLK | DQ        |
|-----------------------------|-----------|-------------------|--------|-------------------|----|-------------------|-------------------|------------------|--------------------|-----------------|-----|-----------|
| Deselect cycle, power-down  | None      | H                 | X      | X                 | L  | X                 | L                 | X                | X                  | X               | L-H | Tri-state |
| Deselect cycle, power-down  | None      | L                 | L      | X                 | L  | L                 | X                 | X                | X                  | X               | L-H | Tri-state |
| Deselect cycle, power-down  | None      | L                 | X      | H                 | L  | L                 | X                 | X                | X                  | X               | L-H | Tri-state |
| Deselect cycle, power-down  | None      | L                 | L      | X                 | L  | H                 | L                 | X                | X                  | X               | L-H | Tri-state |
| Deselect cycle, power-down  | None      | L                 | X      | H                 | L  | H                 | L                 | X                | X                  | X               | L-H | Tri-state |
| Sleep mode, power-down      | None      | X                 | X      | X                 | H  | X                 | X                 | X                | X                  | X               | X   | Tri-state |
| Read cycle, begin burst     | External  | L                 | H      | L                 | L  | L                 | X                 | X                | X                  | L               | L-H | Q         |
| Read cycle, begin burst     | External  | L                 | H      | L                 | L  | L                 | X                 | X                | X                  | H               | L-H | Tri-state |
| Write cycle, begin burst    | External  | L                 | H      | L                 | L  | H                 | L                 | X                | L                  | X               | L-H | D         |
| Read cycle, begin burst     | External  | L                 | H      | L                 | L  | H                 | L                 | X                | H                  | L               | L-H | Q         |
| Read cycle, begin burst     | External  | L                 | H      | L                 | L  | H                 | L                 | X                | H                  | H               | L-H | Tri-state |
| Read cycle, continue burst  | Next      | X                 | X      | X                 | L  | H                 | H                 | L                | H                  | L               | L-H | Q         |
| Read cycle, continue burst  | Next      | X                 | X      | X                 | L  | H                 | H                 | L                | H                  | H               | L-H | Tri-state |
| Read cycle, continue burst  | Next      | H                 | X      | X                 | L  | X                 | H                 | L                | H                  | L               | L-H | Q         |
| Read cycle, continue burst  | Next      | H                 | X      | X                 | L  | X                 | H                 | L                | H                  | H               | L-H | Tri-state |
| Write cycle, continue burst | Next      | X                 | X      | X                 | L  | H                 | H                 | L                | L                  | X               | L-H | D         |
| Write cycle, continue burst | Next      | H                 | X      | X                 | L  | X                 | H                 | L                | L                  | X               | L-H | D         |
| Read cycle, suspend burst   | Current   | X                 | X      | X                 | L  | H                 | H                 | H                | H                  | L               | L-H | Q         |
| Read cycle, suspend burst   | Current   | X                 | X      | X                 | L  | H                 | H                 | H                | H                  | H               | L-H | Tri-state |
| Read cycle, suspend burst   | Current   | H                 | X      | X                 | L  | X                 | H                 | H                | H                  | L               | L-H | Q         |
| Read cycle, suspend burst   | Current   | H                 | X      | X                 | L  | X                 | H                 | H                | H                  | H               | L-H | Tri-state |
| Write cycle, suspend burst  | Current   | X                 | X      | X                 | L  | H                 | H                 | H                | L                  | X               | L-H | D         |
| Write cycle, suspend burst  | Current   | H                 | X      | X                 | L  | X                 | H                 | H                | L                  | X               | L-H | D         |

**Notes**

- X = "Don't Care." H = Logic HIGH, L = Logic LOW.
- $\overline{WRITE} = L$  when any one or more byte write enable signals and  $\overline{BWE} = L$  or  $\overline{GW} = L$ .  $\overline{WRITE} = H$  when all byte write enable signals,  $\overline{BWE}$ ,  $\overline{GW} = H$ .
- The DQ pins are controlled by the current cycle and the  $\overline{OE}$  signal.  $\overline{OE}$  is asynchronous and is not sampled with the clock.
- $CE_1$ ,  $CE_2$ , and  $CE_3$  are available only in the TQFP package. BGA package has only 2 chip selects  $CE_1$  and  $CE_2$ .
- The SRAM always initiates a read cycle when  $\overline{ADSP}$  is asserted, regardless of the state of  $\overline{GW}$ ,  $\overline{BWE}$ , or  $\overline{BW}_x$ . Writes may occur only on subsequent clocks after the  $\overline{ADSP}$  or with the assertion of  $\overline{ADSC}$ . As a result,  $\overline{OE}$  must be driven HIGH prior to the start of the write cycle to allow the outputs to tri-state.  $\overline{OE}$  is a don't care for the remainder of the write cycle.
- $\overline{OE}$  is asynchronous and is not sampled with the clock rise. It is masked internally during write cycles. During a read cycle all data bits are tri-state when  $\overline{OE}$  is inactive or when the device is deselected, and all data bits behave as output when  $\overline{OE}$  is active (LOW).

**Partial Truth Table for Read/Write<sup>[8, 9]</sup>**

| Function (CY7C1444AV33)                                | $\overline{GW}$ | $\overline{BWE}$ | $\overline{BW}_D$ | $\overline{BW}_C$ | $\overline{BW}_B$ | $\overline{BW}_A$ |
|--|-----------------|------------------|-------------------|-------------------|-------------------|-------------------|
| Read   | H               | H                | X                 | X                 | X                 | X                 |
| Read   | H               | L                | H                 | H                 | H                 | H                 |
| Write byte A – (DQ <sub>A</sub> and DQP <sub>A</sub> ) | H               | L                | H                 | H                 | H                 | L                 |
| Write byte B – (DQ <sub>B</sub> and DQP <sub>B</sub> ) | H               | L                | H                 | H                 | L                 | H                 |
| Write bytes B, A                                       | H               | L                | H                 | H                 | L                 | L                 |
| Write byte C – (DQ <sub>C</sub> and DQP <sub>C</sub> ) | H               | L                | H                 | L                 | H                 | H                 |
| Write bytes C, A                                       | H               | L                | H                 | L                 | H                 | L                 |
| Write bytes C, B                                       | H               | L                | H                 | L                 | L                 | H                 |
| Write bytes C, B, A                                    | H               | L                | H                 | L                 | L                 | L                 |
| Write byte D – (DQ <sub>D</sub> and DQP <sub>D</sub> ) | H               | L                | L                 | H                 | H                 | H                 |
| Write bytes D, A                                       | H               | L                | L                 | H                 | H                 | L                 |
| Write bytes D, B                                       | H               | L                | L                 | H                 | L                 | H                 |
| Write bytes D, B, A                                    | H               | L                | L                 | H                 | L                 | L                 |
| Write bytes D, C                                       | H               | L                | L                 | L                 | H                 | H                 |
| Write bytes D, C, A                                    | H               | L                | L                 | L                 | H                 | L                 |
| Write bytes D, C, B                                    | H               | L                | L                 | L                 | L                 | H                 |
| Write all bytes  | H               | L                | L                 | L                 | L                 | L                 |
| Write all bytes  | L               | X                | X                 | X                 | X                 | X                 |

**Truth Table for Read/Write<sup>[8, 9]</sup>**

| Function (CY7C1445AV33)                                | $\overline{GW}$ | $\overline{BWE}$ | $\overline{BW}_B$ | $\overline{BW}_A$ |
|--|-----------------|------------------|-------------------|-------------------|
| Read   | H               | H                | X                 | X                 |
| Read   | H               | L                | H                 | H                 |
| Write byte A – (DQ <sub>A</sub> and DQP <sub>A</sub> ) | H               | L                | H                 | L                 |
| Write byte B – (DQ <sub>B</sub> and DQP <sub>B</sub> ) | H               | L                | L                 | H                 |
| Write all bytes  | H               | L                | L                 | L                 |
| Write all bytes  | L               | X                | X                 | X                 |

**Notes**

8. The DQ pins are controlled by the current cycle and the  $\overline{OE}$  signal.  $\overline{OE}$  is asynchronous and is not sampled with the clock.
9. Table only lists a partial listing of the byte write combinations. Any Combination of  $\overline{BW}_X$  is valid Appropriate write will be done based on which byte write is active.

## IEEE 1149.1 Serial Boundary Scan (JTAG)

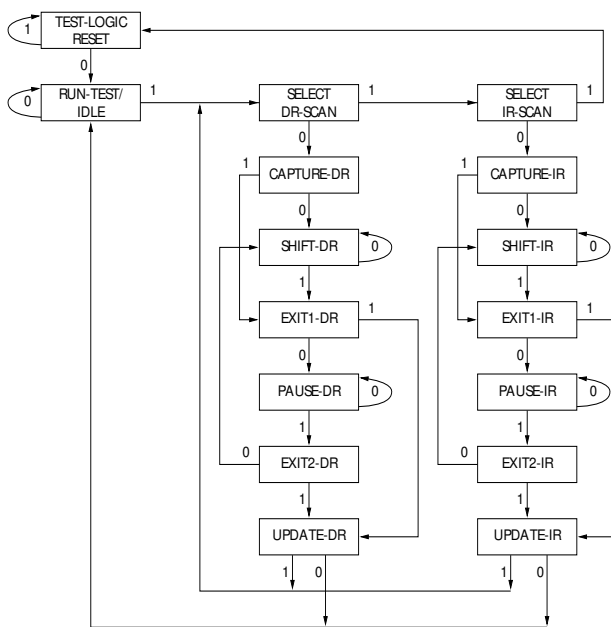
The CY7C1444AV33/CY7C1445AV33 incorporates a serial boundary scan test access port (TAP). This part is fully compliant with the 1149.1 IEEE Standard 1149.1. The TAP operates using JEDEC-standard 3.3 V or 2.5 V I/O logic levels.

The CY7C1444AV33/CY7C1445AV33 contains a TAP controller, instruction register, boundary scan register, bypass register, and ID register.

### Disabling the JTAG Feature

It is possible to operate the SRAM without using the JTAG feature. To disable the TAP controller, TCK must be tied LOW ( $V_{SS}$ ) to prevent clocking of the device. TDI and TMS are internally pulled up and may be unconnected. They may alternately be connected to VDD through a pull-up resistor. TDO should be left unconnected. Upon power-up, the device will come up in a reset state which will not interfere with the operation of the device.

### TAP Controller State Diagram



The 0/1 next to each state represents the value of TMS at the rising edge of TCK.

### Test Access Port (TAP)

#### Test Clock (TCK)

The test clock is used only with the TAP controller. All inputs are captured on the rising edge of TCK. All outputs are driven from the falling edge of TCK.

#### Test Mode Select (TMS)

The TMS input is used to give commands to the TAP controller and is sampled on the rising edge of TCK. It is allowable to leave this ball unconnected if the TAP is not used. The ball is pulled up internally, resulting in a logic HIGH level.

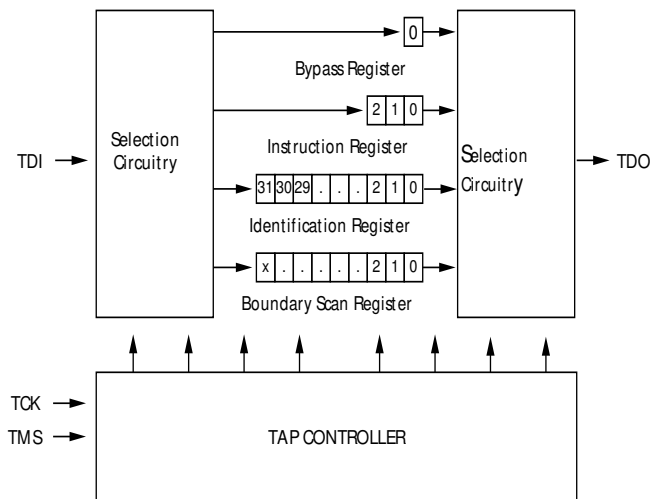
#### Test Data-In (TDI)

The TDI ball is used to serially input information into the registers and can be connected to the input of any of the registers. The register between TDI and TDO is chosen by the instruction that is loaded into the TAP instruction register. TDI is internally pulled up and can be unconnected if the TAP is unused in an application. TDI is connected to the most significant bit (MSB) of any register. (See [TAP Controller Block Diagram](#).)

#### Test Data-Out (TDO)

The TDO output ball is used to serially clock data-out from the registers. The output is active depending upon the current state of the TAP state machine. The output changes on the falling edge of TCK. TDO is connected to the least significant bit (LSB) of any register. (See [TAP Controller State Diagram](#).)

### TAP Controller Block Diagram



### Performing a TAP Reset

A RESET is performed by forcing TMS HIGH ( $V_{DD}$ ) for five rising edges of TCK. This RESET does not affect the operation of the SRAM and may be performed while the SRAM is operating.

At power-up, the TAP is reset internally to ensure that TDO comes up in a high Z state.

### TAP Registers

Registers are connected between the TDI and TDO balls and allow data to be scanned into and out of the SRAM test circuitry. Only one register can be selected at a time through the instruction register. Data is serially loaded into the TDI ball on the rising edge of TCK. Data is output on the TDO ball on the falling edge of TCK.

#### Instruction Register

Three-bit instructions can be serially loaded into the instruction register. This register is loaded when it is placed between the TDI and TDO balls as shown in the [TAP Controller Block Diagram](#). Upon power-up, the instruction register is loaded with the IDCODE instruction. It is also loaded with the IDCODE instruction if the controller is placed in a reset state as described in the previous section.

When the TAP controller is in the Capture-IR state, the two least significant bits are loaded with a binary “01” pattern to allow for fault isolation of the board-level serial test data path.

#### *Bypass Register*

To save time when serially shifting data through registers, it is sometimes advantageous to skip certain chips. The bypass register is a single-bit register that can be placed between the TDI and TDO balls. This allows data to be shifted through the SRAM with minimal delay. The bypass register is set LOW ( $V_{SS}$ ) when the BYPASS instruction is executed.

#### *Boundary Scan Register*

The boundary scan register is connected to all the input and bidirectional balls on the SRAM.

The boundary scan register is loaded with the contents of the RAM I/O ring when the TAP controller is in the Capture-DR state and is then placed between the TDI and TDO balls when the controller is moved to the Shift-DR state. The EXTEST, SAMPLE/PRELOAD and SAMPLE Z instructions can be used to capture the contents of the I/O ring.

The Boundary Scan Order tables show the order in which the bits are connected. Each bit corresponds to one of the bumps on the SRAM package. The MSB of the register is connected to TDI, and the LSB is connected to TDO.

#### *Identification (ID) Register*

The ID register is loaded with a vendor-specific, 32-bit code during the Capture-DR state when the IDCODE command is loaded in the instruction register. The IDCODE is hardwired into the SRAM and can be shifted out when the TAP controller is in the Shift-DR state. The ID register has a vendor code and other information described in the Identification Register Definitions table.

### **TAP Instruction Set**

#### *Overview*

Eight different instructions are possible with the three bit instruction register. All combinations are listed in the Instruction Codes table. Three of these instructions are listed as RESERVED and should not be used. The other five instructions are described in detail below.

Instructions are loaded into the TAP controller during the Shift-IR state when the instruction register is placed between TDI and TDO. During this state, instructions are shifted through the instruction register through the TDI and TDO balls. To execute the instruction once it is shifted in, the TAP controller needs to be moved into the Update-IR state.

#### *IDCODE*

The IDCODE instruction causes a vendor-specific, 32-bit code to be loaded into the instruction register. It also places the instruction register between the TDI and TDO balls and allows the IDCODE to be shifted out of the device when the TAP controller enters the Shift-DR state.

The IDCODE instruction is loaded into the instruction register upon power-up or whenever the TAP controller is given a test logic reset state.

#### *SAMPLE Z*

The SAMPLE Z instruction causes the boundary scan register to be connected between the TDI and TDO pins when the TAP controller is in a Shift-DR state. The SAMPLE Z command puts the output bus into a high Z state until the next command is given during the “Update IR” state.

#### *SAMPLE/PRELOAD*

SAMPLE/PRELOAD is a 1149.1 mandatory instruction. When the SAMPLE/PRELOAD instructions are loaded into the instruction register and the TAP controller is in the Capture-DR state, a snapshot of data on the inputs and output pins is captured in the boundary scan register.

The user must be aware that the TAP controller clock can only operate at a frequency up to 20 MHz, while the SRAM clock operates more than an order of magnitude faster. Because there is a large difference in the clock frequencies, it is possible that during the Capture-DR state, an input or output will undergo a transition. The TAP may then try to capture a signal while in transition (metastable state). This will not harm the device, but there is no guarantee as to the value that will be captured. Repeatable results may not be possible.

To guarantee that the boundary scan register will capture the correct value of a signal, the SRAM signal must be stabilized long enough to meet the TAP controller's capture set-up plus hold times ( $t_{CS}$  and  $t_{CH}$ ). The SRAM clock input might not be captured correctly if there is no way in a design to stop (or slow) the clock during a SAMPLE/PRELOAD instruction. If this is an issue, it is still possible to capture all other signals and simply ignore the value of the CK and  $\overline{CK}$  captured in the boundary scan register.

Once the data is captured, it is possible to shift out the data by putting the TAP into the Shift-DR state. This places the boundary scan register between the TDI and TDO pins.

PRELOAD allows an initial data pattern to be placed at the latched parallel outputs of the boundary scan register cells prior to the selection of another boundary scan test operation.

The shifting of data for the SAMPLE and PRELOAD phases can occur concurrently when required—that is, while data captured is shifted out, the preloaded data can be shifted in.

#### *BYPASS*

When the BYPASS instruction is loaded in the instruction register and the TAP is placed in a Shift-DR state, the bypass register is placed between the TDI and TDO pins. The advantage of the BYPASS instruction is that it shortens the boundary scan path when multiple devices are connected together on a board.

#### *EXTEST*

The EXTEST instruction enables the preloaded data to be driven out through the system output pins. This instruction also selects the boundary scan register to be connected for serial access between the TDI and TDO in the shift-DR controller state.

#### *EXTEST OUTPUT BUS TRI-STATE*

IEEE Standard 1149.1 mandates that the TAP controller be able to put the output bus into a tri-state mode.

The boundary scan register has a special bit located at bit# 89 (for 165-ball FBGA packages). When this scan cell, called the

“extest output bus tri-state”, is latched into the preload register during the “Update-DR” state in the TAP controller, it will directly control the state of the output (Q-bus) pins, when the EXTEST is entered as the current instruction. When HIGH, it will enable the output buffers to drive the output bus. When LOW, this bit will place the output bus into a high Z condition.

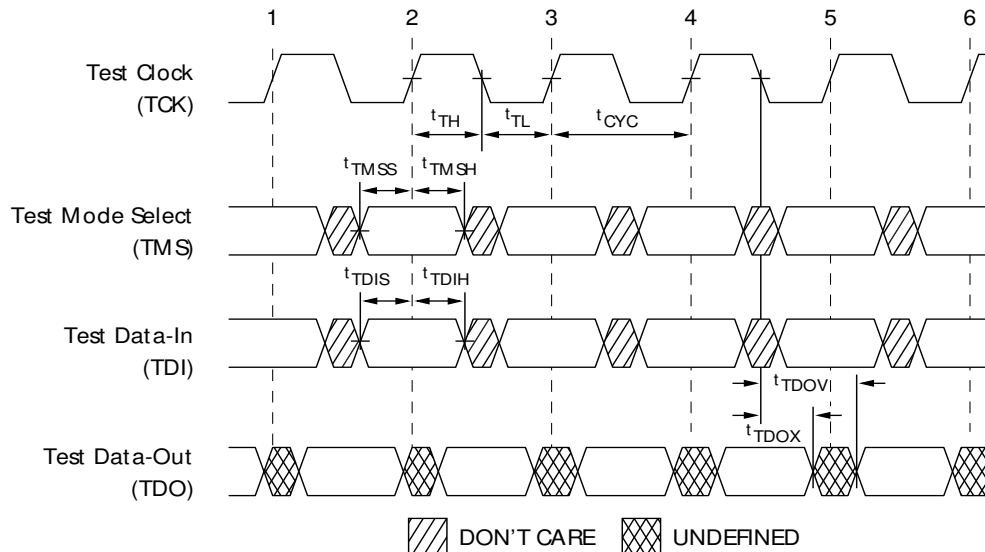
This bit can be set by entering the SAMPLE/PRELOAD or EXTEST command, and then shifting the desired bit into that cell, during the “Shift-DR” state. During “Update-DR”, the value

loaded into that shift-register cell will latch into the preload register. When the EXTEST instruction is entered, this bit will directly control the output Q-bus pins. Note that this bit is preset HIGH to enable the output when the device is powered-up, and also when the TAP controller is in the “Test-Logic-Reset” state.

*Reserved*

These instructions are not implemented but are reserved for future use. Do not use these instructions.

**TAP Timing**



**TAP AC Switching Characteristics**

Over the Operating Range<sup>[10,11]</sup>

| Parameter           | Description                   | Min | Max | Unit |
|---------------------|-------------------------------|-----|-----|------|
| <b>Clock</b>        |                               |     |     |      |
| t <sub>TCYC</sub>   | TCK clock cycle time          | 50  | –   | ns   |
| t <sub>TF</sub>     | TCK clock frequency           | –   | 20  | MHz  |
| t <sub>TH</sub>     | TCK clock HIGH time           | 20  | –   | ns   |
| t <sub>TL</sub>     | TCK clock LOW time            | 20  | –   | ns   |
| <b>Output Times</b> |                               |     |     |      |
| t <sub>TDOV</sub>   | TCK clock LOW to TDO valid    | –   | 10  | ns   |
| t <sub>TDOX</sub>   | TCK clock LOW to TDO invalid  | 0   | –   | ns   |
| <b>Set-up Times</b> |                               |     |     |      |
| t <sub>TMSS</sub>   | TMS set-up to TCK clock rise  | 5   | –   | ns   |
| t <sub>TDis</sub>   | TDI set-up to TCK clock rise  | 5   | –   | ns   |
| t <sub>CS</sub>     | Capture set-up to TCK rise    | 5   | –   | ns   |
| <b>Hold Times</b>   |                               |     |     |      |
| t <sub>TMSh</sub>   | TMS hold after TCK clock rise | 5   | –   | ns   |
| t <sub>TDIH</sub>   | TDI hold after clock rise     | 5   | –   | ns   |
| t <sub>CH</sub>     | Capture hold after clock rise | 5   | –   | ns   |

**Notes**

10. t<sub>CS</sub> and t<sub>CH</sub> refer to the set-up and hold time requirements of latching data from the boundary scan register.  
11. Test conditions are specified using the load in TAP AC test Conditions. t<sub>r</sub>/t<sub>f</sub> = 1 ns.

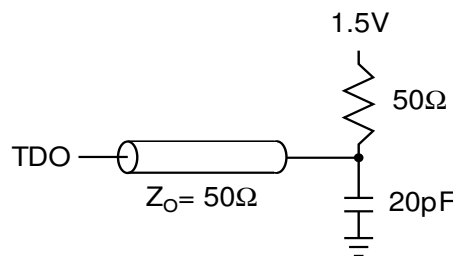
### 3.3 V TAP AC Test Conditions

Input pulse levels .....  $V_{SS}$  to 3.3 V  
 Input rise and fall times ..... 1 ns  
 Input timing reference levels ..... 1.5 V  
 Output reference levels ..... 1.5 V  
 Test load termination supply voltage ..... 1.5 V

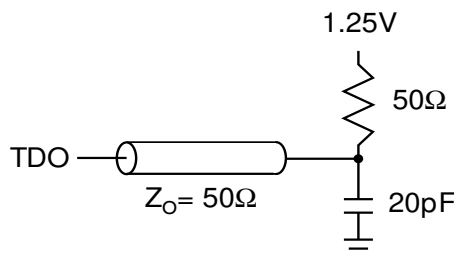
### 2.5 V TAP AC Test Conditions

Input pulse levels .....  $V_{SS}$  to 2.5 V  
 Input rise and fall time ..... 1 ns  
 Input timing reference levels ..... 1.25 V  
 Output reference levels ..... 1.25 V  
 Test load termination supply voltage ..... 1.25V

### 3.3 V TAP AC Output Load Equivalent



### 2.5 V TAP AC Output Load Equivalent



## TAP DC Electrical Characteristics And Operating Conditions

(0 °C < T<sub>A</sub> < +70 °C; V<sub>DD</sub> = 3.135 V to 3.6 V unless otherwise noted)<sup>[12]</sup>

| Parameter        | Description         | Test Conditions                                     | Min                      | Max                   | Unit |   |
|------------------|---------------------|---|--------------------------|-----------------------|------|---|
| V <sub>OH1</sub> | Output HIGH voltage | I <sub>OH</sub> = -4.0 mA, V <sub>DDQ</sub> = 3.3 V | 2.4                      | -                     | V    |   |
|                  |                     | I <sub>OH</sub> = -1.0 mA, V <sub>DDQ</sub> = 2.5 V | 2.0                      | -                     | V    |   |
| V <sub>OH2</sub> | Output HIGH voltage | I <sub>OH</sub> = -100 μA                           | V <sub>DDQ</sub> = 3.3 V | 2.9                   | -    | V |
|                  |                     |   | V <sub>DDQ</sub> = 2.5 V | 2.1                   | -    | V |
| V <sub>OL1</sub> | Output LOW voltage  | I <sub>OL</sub> = 8.0 mA, V <sub>DDQ</sub> = 3.3 V  | -                        | 0.4                   | V    |   |
|                  |                     | I <sub>OL</sub> = 1.0 mA, V <sub>DDQ</sub> = 2.5 V  | -                        | 0.4                   | V    |   |
| V <sub>OL2</sub> | Output LOW voltage  | I <sub>OL</sub> = 100 μA                            | V <sub>DDQ</sub> = 3.3 V | -                     | 0.2  | V |
|                  |                     |   | V <sub>DDQ</sub> = 2.5 V | -                     | 0.2  | V |
| V <sub>IH</sub>  | Input HIGH voltage  | V <sub>DDQ</sub> = 3.3 V                            | 2.0                      | V <sub>DD</sub> + 0.3 | V    |   |
|                  |                     | V <sub>DDQ</sub> = 2.5 V                            | 1.7                      | V <sub>DD</sub> + 0.3 | V    |   |
| V <sub>IL</sub>  | Input LOW voltage   | V <sub>DDQ</sub> = 3.3 V                            | -0.5                     | 0.7                   | V    |   |
|                  |                     | V <sub>DDQ</sub> = 2.5 V                            | -0.3                     | 0.7                   | V    |   |
| I <sub>X</sub>   | Input load current  | GND ≤ V <sub>IN</sub> ≤ V <sub>DDQ</sub>            | -5                       | 5                     | μA   |   |

**Note**  
12. All voltages referenced to V<sub>SS</sub> (GND).

## Identification Register Definitions

| Instruction Field                    | CY7C1444AV33 | CY7C1445AV33 | Description                                  |
|--------------------------------------|--------------|--------------|--|
| Revision number (31:29)              | 000          | 000          | Describes the version number.                |
| Device depth (28:24) <sup>[13]</sup> | 01011        | 01011        | Reserved for Internal Use                    |
| Architecture/memory type (23:18)     | 000110       | 000110       | Defines memory type and architecture         |
| Bus width/density(17:12)             | 100111       | 010111       | Defines width and density                    |
| Cypress JEDEC ID code (11:1)         | 00000110100  | 00000110100  | Allows unique identification of SRAM vendor. |
| ID register presence indicator (0)   | 1            | 1            | Indicates the presence of an ID register.    |

## Scan Register Sizes

| Register Name                               | Bit Size (× 18) | Bit Size (× 36) |
|---|-----------------|-----------------|
| Instruction                                 | 3               | 3               |
| Bypass                                      | 1               | 1               |
| ID  | 32              | 32              |
| Boundary scan order (165-ball FBGA package) | 89              | 89              |

## Identification Codes

| Instruction    | Code | Description  |
|----------------|------|--|
| EXTEST         | 000  | Captures I/O ring contents.  |
| IDCODE         | 001  | Loads the ID register with the vendor ID code and places the register between TDI and TDO. This operation does not affect SRAM operations. |
| SAMPLE Z       | 010  | Captures I/O ring contents. Places the boundary scan register between TDI and TDO. Forces all SRAM output drivers to a high Z state.       |
| RESERVED       | 011  | Do Not Use: This instruction is reserved for future use.   |
| SAMPLE/PRELOAD | 100  | Captures I/O ring contents. Places the boundary scan register between TDI and TDO. Does not affect SRAM operation.                         |
| RESERVED       | 101  | Do Not Use: This instruction is reserved for future use.   |
| RESERVED       | 110  | Do Not Use: This instruction is reserved for future use.   |
| BYPASS         | 111  | Places the bypass register between TDI and TDO. This operation does not affect SRAM operations.  |

### Note

13. Bit #24 is "1" in the ID Register Definitions for both 2.5 V and 3.3 V versions of this device.

**165-ball FBGA Boundary Scan Order<sup>[14,15]</sup>**

**CY7C1444AV33 (1 M × 36), CY7C1445AV33 (2 M × 18)**

| Bit # | Ball ID | Bit # | Ball ID | Bit # | Ball ID | Bit # | Ball ID  |
|-------|---------|-------|---------|-------|---------|-------|----------|
| 1     | N6      | 26    | E11     | 51    | A3      | 76    | N1       |
| 2     | N7      | 27    | D11     | 52    | A2      | 77    | N2       |
| 3     | N10     | 28    | G10     | 53    | B2      | 78    | P1       |
| 4     | P11     | 29    | F10     | 54    | C2      | 79    | R1       |
| 5     | P8      | 30    | E10     | 55    | B1      | 80    | R2       |
| 6     | R8      | 31    | D10     | 56    | A1      | 81    | P3       |
| 7     | R9      | 32    | C11     | 57    | C1      | 82    | R3       |
| 8     | P9      | 33    | A11     | 58    | D1      | 83    | P2       |
| 9     | P10     | 34    | B11     | 59    | E1      | 84    | R4       |
| 10    | R10     | 35    | A10     | 60    | F1      | 85    | P4       |
| 11    | R11     | 36    | B10     | 61    | G1      | 86    | N5       |
| 12    | H11     | 37    | A9      | 62    | D2      | 87    | P6       |
| 13    | N11     | 38    | B9      | 63    | E2      | 88    | R6       |
| 14    | M11     | 39    | C10     | 64    | F2      | 89    | Internal |
| 15    | L11     | 40    | A8      | 65    | G2      |       |          |
| 16    | K11     | 41    | B8      | 66    | H1      |       |          |
| 17    | J11     | 42    | A7      | 67    | H3      |       |          |
| 18    | M10     | 43    | B7      | 68    | J1      |       |          |
| 19    | L10     | 44    | B6      | 69    | K1      |       |          |
| 20    | K10     | 45    | A6      | 70    | L1      |       |          |
| 21    | J10     | 46    | B5      | 71    | M1      |       |          |
| 22    | H9      | 47    | A5      | 72    | J2      |       |          |
| 23    | H10     | 48    | A4      | 73    | K2      |       |          |
| 24    | G11     | 49    | B4      | 74    | L2      |       |          |
| 25    | F11     | 50    | B3      | 75    | M2      |       |          |

**Notes**

- 14. Balls which are NC (No Connect) are pre-set LOW.
- 15. Bit# 89 is pre-set HIGH.



## Maximum Ratings

Exceeding maximum ratings may shorten the useful life of the device. User guidelines are not tested.

Storage temperature ..... -65 °C to +150 °C

Ambient temperature with power applied ..... -55 °C to +125 °C

Supply voltage on V<sub>DD</sub> relative to GND ..... -0.5 V to +4.6 V

Supply voltage on V<sub>DDQ</sub> relative to GND ..... -0.5 V to +V<sub>DD</sub>

DC voltage applied to outputs in tri-state ..... -0.5 V to V<sub>DDQ</sub> + 0.5 V

DC input voltage ..... -0.5 V to V<sub>DD</sub> + 0.5 V

Current into outputs (LOW) ..... 20 mA

Static discharge voltage ..... > 2001 V (per MIL-STD-883, method 3015)

Latch-up current ..... > 200 mA

## Operating Range

| Range      | Ambient Temperature | V <sub>DD</sub>    | V <sub>DDQ</sub>              |
|------------|---------------------|--------------------|-------------------------------|
| Commercial | 0 °C to +70 °C      | 3.3 V – 5% / + 10% | 2.5 V – 5% to V <sub>DD</sub> |
| Industrial | -40 °C to +85 °C    |                    |                               |

## Electrical Characteristics

Over the Operating Range [16, 17]

| Parameter               | Description                                 | Test Conditions   | Min                 | Max                    | Unit |    |
|-------------------------|---|---|---------------------|------------------------|------|----|
| V <sub>DD</sub>         | Power supply voltage                        |   | 3.135               | 3.6                    | V    |    |
| V <sub>DDQ</sub>        | I/O supply voltage                          | for 3.3 V I/O   | 3.135               | V <sub>DD</sub>        | V    |    |
|                         |   | for 2.5V I/O  | 2.375               | 2.625                  | V    |    |
| V <sub>OH</sub>         | Output HIGH voltage                         | for 3.3 V I/O, I <sub>OH</sub> = -4.0 mA  | 2.4                 | -                      | V    |    |
|                         |   | for 2.5 V I/O, I <sub>OH</sub> = -1.0 mA  | 2.0                 | -                      | V    |    |
| V <sub>OL</sub>         | Output LOW voltage                          | for 3.3 V I/O, I <sub>OL</sub> = 8.0 mA   | -                   | 0.4                    | V    |    |
|                         |   | for 2.5 V I/O, I <sub>OL</sub> = 1.0 mA   | -                   | 0.4                    | V    |    |
| V <sub>IH</sub>         | Input HIGH voltage <sup>[16]</sup>          | for 3.3 V I/O   | 2.0                 | V <sub>DD</sub> + 0.3V | V    |    |
|                         |   | for 2.5 V I/O   | 1.7                 | V <sub>DD</sub> + 0.3V | V    |    |
| V <sub>IL</sub>         | Input LOW voltage <sup>[16]</sup>           | for 3.3 V I/O   | -0.3                | 0.8                    | V    |    |
|                         |   | for 2.5 V I/O   | -0.3                | 0.7                    | V    |    |
| I <sub>X</sub>          | Input leakage current except ZZ and MODE    | GND ≤ V <sub>I</sub> ≤ V <sub>DDQ</sub>   | -5                  | 5                      | µA   |    |
|                         | Input current of MODE                       | Input = V <sub>SS</sub>   | -30                 | -                      | µA   |    |
|                         |   | Input = V <sub>DD</sub>   | -                   | 5                      | µA   |    |
|                         | Input current of ZZ                         | Input = V <sub>SS</sub>   | -5                  | -                      | µA   |    |
| Input = V <sub>DD</sub> |   | -   | 30                  | µA                     |      |    |
| I <sub>OZ</sub>         | Output leakage current                      | GND ≤ V <sub>I</sub> ≤ V <sub>DDQ</sub> , output disabled   | -5                  | 5                      | µA   |    |
| I <sub>DD</sub>         | V <sub>DD</sub> operating supply current    | V <sub>DD</sub> = Max., I <sub>OUT</sub> = 0 mA, f = f <sub>MAX</sub> = 1/t <sub>CYC</sub>  | 4-ns cycle, 250 MHz | -                      | 475  | mA |
|                         |   |   | 5-ns cycle, 200 MHz | -                      | 425  | mA |
|                         |   |   | 6-ns cycle, 167 MHz | -                      | 375  | mA |
| I <sub>SB1</sub>        | Automatic CE power-down current—TTL inputs  | V <sub>DD</sub> = Max, device deselected, V <sub>IN</sub> ≥ V <sub>IH</sub> or V <sub>IN</sub> ≤ V <sub>IL</sub> , f = f <sub>MAX</sub> = 1/t <sub>CYC</sub>  | All speeds          | -                      | 225  | mA |
| I <sub>SB2</sub>        | Automatic CE power-down current—CMOS inputs | V <sub>DD</sub> = Max, device deselected, V <sub>IN</sub> ≤ 0.3V or V <sub>IN</sub> ≥ V <sub>DDQ</sub> - 0.3 V, f = 0   | All speeds          | -                      | 120  | mA |
| I <sub>SB3</sub>        | Automatic CE power-down current—CMOS inputs | V <sub>DD</sub> = Max, device deselected, or V <sub>IN</sub> ≤ 0.3 V or V <sub>IN</sub> ≥ V <sub>DDQ</sub> - 0.3 V, f = f <sub>MAX</sub> = 1/t <sub>CYC</sub> | All speeds          | -                      | 200  | mA |
| I <sub>SB4</sub>        | Automatic CE power-down current—TTL inputs  | V <sub>DD</sub> = Max, device deselected, V <sub>IN</sub> ≥ V <sub>IH</sub> or V <sub>IN</sub> ≤ V <sub>IL</sub> , f = 0                                      | All speeds          | -                      | 135  | mA |

### Notes

16. Overshoot: V<sub>IH</sub>(AC) < V<sub>DD</sub> + 1.5 V (Pulse width less than t<sub>CYC</sub>/2), undershoot: V<sub>IL</sub>(AC) > -2 V (Pulse width less than t<sub>CYC</sub>/2).

17. T<sub>Power-up</sub>: Assumes a linear ramp from 0 V to V<sub>DD</sub>(min) within 200 ms. During this time V<sub>IH</sub> < V<sub>DD</sub> and V<sub>DDQ</sub> ≤ V<sub>DD</sub>.

### Capacitance<sup>[18]</sup>

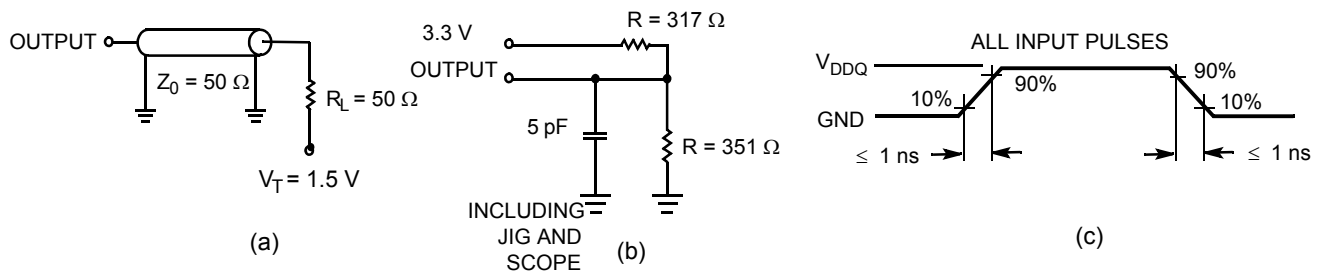
| Parameter        | Description              | Test Conditions   | 100 TQFP Max | 165 FBGA Max | Unit |
|------------------|--------------------------|---|--------------|--------------|------|
| C <sub>IN</sub>  | Input capacitance        | T <sub>A</sub> = 25 °C, f = 1 MHz,<br>V <sub>DD</sub> = 3.3 V<br>V <sub>DDQ</sub> = 2.5 V | 6.5          | 7            | pF   |
| C <sub>CLK</sub> | Clock input capacitance  |   | 3            | 7            | pF   |
| C <sub>I/O</sub> | Input/output capacitance |   | 5.5          | 6            | pF   |

### Thermal Resistance<sup>[18]</sup>

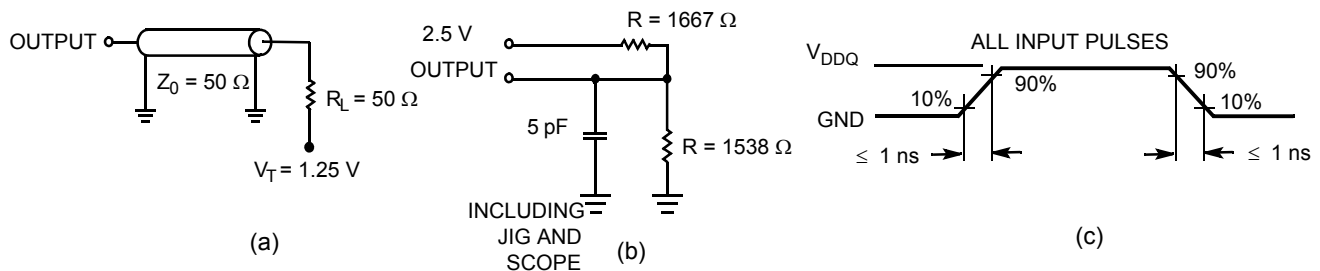
| Parameter       | Description                              | Test Conditions  | 100 TQFP Package | 165 FBGA Package | Unit |
|-----------------|--|--|------------------|------------------|------|
| Θ <sub>JA</sub> | Thermal resistance (junction to ambient) | Test conditions follow standard test methods and procedures for measuring thermal impedance, per EIA/JESD51. | 25.21            | 20.8             | °C/W |
| Θ <sub>JC</sub> | Thermal resistance (junction to case)    |  | 2.28             | 3.2              | °C/W |

### AC Test Loads and Waveforms

#### 3.3 V I/O Test Load



#### 2.5 V I/O Test Load



**Note**  
18. Tested initially and after any design or process change that may affect these parameters.

## Switching Characteristics

Over the Operating Range<sup>[19, 20]</sup>

| Parameter           | Description   | -250 |     | -200 |     | -167 |     | Unit |
|---------------------|---|------|-----|------|-----|------|-----|------|
|                     |   | Min  | Max | Min  | Max | Min  | Max |      |
| t <sub>POWER</sub>  | V <sub>DD</sub> (Typical) to the first access <sup>[21]</sup>                 | 1    | –   | 1    | –   | 1    | –   | ms   |
| <b>Clock</b>        |   |      |     |      |     |      |     |      |
| t <sub>CYC</sub>    | Clock cycle time  | 4.0  | –   | 5    | –   | 6    | –   | ns   |
| t <sub>CH</sub>     | Clock HIGH  | 1.5  | –   | 2.0  | –   | 2.4  | –   | ns   |
| t <sub>CL</sub>     | Clock LOW   | 1.5  | –   | 2.0  | –   | 2.4  | –   | ns   |
| <b>Output Times</b> |   |      |     |      |     |      |     |      |
| t <sub>CO</sub>     | Data output valid after CLK rise  | –    | 2.6 | –    | 3.2 | –    | 3.4 | ns   |
| t <sub>DOH</sub>    | Data output hold after CLK rise   | 1.0  | –   | 1.5  | –   | 1.5  | –   | ns   |
| t <sub>CLZ</sub>    | Clock to low Z <sup>[22, 23, 24]</sup>  | 1.0  | –   | 1.3  | –   | 1.5  | –   | ns   |
| t <sub>CHZ</sub>    | Clock to high Z <sup>[22, 23, 24]</sup>                                       | –    | 2.6 | –    | 3.0 | –    | 3.4 | ns   |
| t <sub>OEV</sub>    | $\overline{OE}$ LOW to output valid   | –    | 2.6 | –    | 3.0 | –    | 3.4 | ns   |
| t <sub>OELZ</sub>   | $\overline{OE}$ LOW to output low Z <sup>[22, 23, 24]</sup>                   | 0    | –   | 0    | –   | 0    | –   | ns   |
| t <sub>OEHZ</sub>   | $\overline{OE}$ HIGH to output high Z <sup>[22, 23, 24]</sup>                 | –    | 2.6 | –    | 3.0 | –    | 3.4 | ns   |
| <b>Set-up Times</b> |   |      |     |      |     |      |     |      |
| t <sub>AS</sub>     | Address set-up before CLK rise  | 1.2  | –   | 1.4  | –   | 1.5  | –   | ns   |
| t <sub>ADS</sub>    | $\overline{ADSC}$ , $\overline{ADSP}$ set-up before CLK rise                  | 1.2  | –   | 1.4  | –   | 1.5  | –   | ns   |
| t <sub>ADVS</sub>   | $\overline{ADV}$ set-up before CLK rise                                       | 1.2  | –   | 1.4  | –   | 1.5  | –   | ns   |
| t <sub>WES</sub>    | $\overline{GW}$ , $\overline{BWE}$ , $\overline{BW}_X$ set-up before CLK rise | 1.2  | –   | 1.4  | –   | 1.5  | –   | ns   |
| t <sub>DS</sub>     | Data input set-up before CLK rise   | 1.2  | –   | 1.4  | –   | 1.5  | –   | ns   |
| t <sub>CES</sub>    | Chip enable set-up before CLK rise  | 1.2  | –   | 1.4  | –   | 1.5  | –   | ns   |
| <b>Hold Times</b>   |   |      |     |      |     |      |     |      |
| t <sub>AH</sub>     | Address hold after CLK rise   | 0.3  | –   | 0.4  | –   | 0.5  | –   | ns   |
| t <sub>ADH</sub>    | $\overline{ADSP}$ , $\overline{ADSC}$ hold after CLK rise                     | 0.3  | –   | 0.4  | –   | 0.5  | –   | ns   |
| t <sub>ADVH</sub>   | $\overline{ADV}$ hold after CLK rise  | 0.3  | –   | 0.4  | –   | 0.5  | –   | ns   |
| t <sub>WEH</sub>    | $\overline{GW}$ , $\overline{BWE}$ , $\overline{BW}_X$ hold after CLK rise    | 0.3  | –   | 0.4  | –   | 0.5  | –   | ns   |
| t <sub>DH</sub>     | Data input hold after CLK rise  | 0.3  | –   | 0.4  | –   | 0.5  | –   | ns   |
| t <sub>CEH</sub>    | Chip enable hold after CLK rise   | 0.3  | –   | 0.4  | –   | 0.5  | –   | ns   |

### Notes

19. Timing reference level is 1.5 V when V<sub>DDQ</sub> = 3.3 V and is 1.25 V when V<sub>DDQ</sub> = 2.5 V.

20. Test conditions shown in (a) of AC Test Loads unless otherwise noted.

21. This part has a voltage regulator internally; t<sub>POWER</sub> is the time that the power needs to be supplied above V<sub>DD</sub>(minimum) initially before a read or write operation can be initiated.

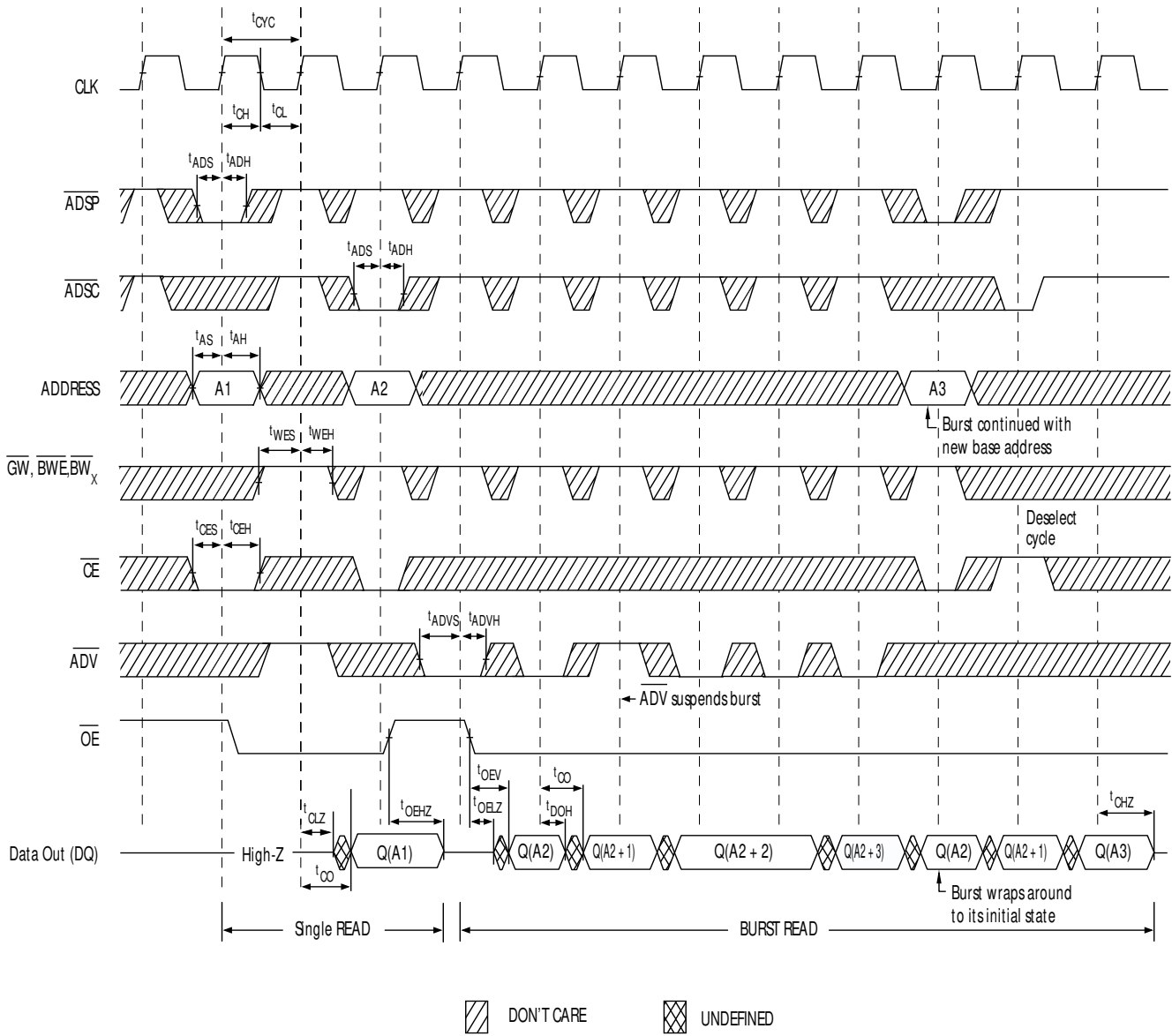
22. t<sub>CHZ</sub>, t<sub>CLZ</sub>, t<sub>OELZ</sub>, and t<sub>OEHZ</sub> are specified with AC test conditions shown in part (b) of AC Test Loads. Transition is measured ± 200 mV from steady-state voltage.

23. At any given voltage and temperature, t<sub>OEHZ</sub> is less than t<sub>OELZ</sub> and t<sub>CHZ</sub> is less than t<sub>CLZ</sub> to eliminate bus contention between SRAMs when sharing the same data bus. These specifications do not imply a bus contention condition, but reflect parameters guaranteed over worst case user conditions. Device is designed to achieve high Z prior to low Z under the same system conditions.

24. This parameter is sampled and not 100% tested.

## Switching Waveforms

### Read Cycle Timing<sup>[25]</sup>

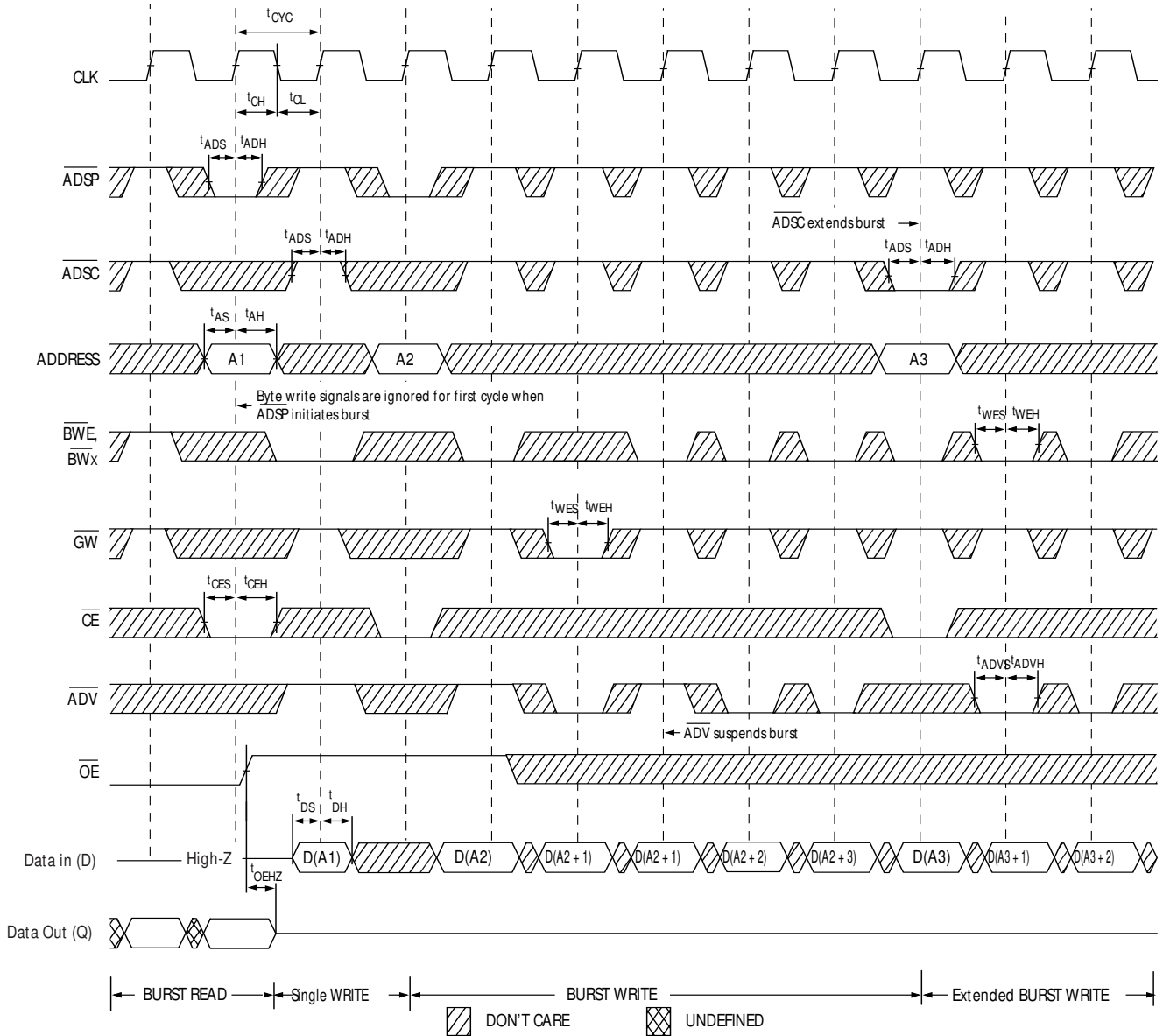


**Note**

25. On this diagram, when  $\overline{CE}$  is LOW:  $\overline{CE}_1$  is LOW,  $CE_2$  is HIGH and  $\overline{CE}_3$  is LOW. When  $\overline{CE}$  is HIGH:  $\overline{CE}_1$  is HIGH or  $CE_2$  is LOW or  $\overline{CE}_3$  is HIGH.

## Switching Waveforms

### Write Cycle Timing<sup>[26, 27]</sup>



#### Notes

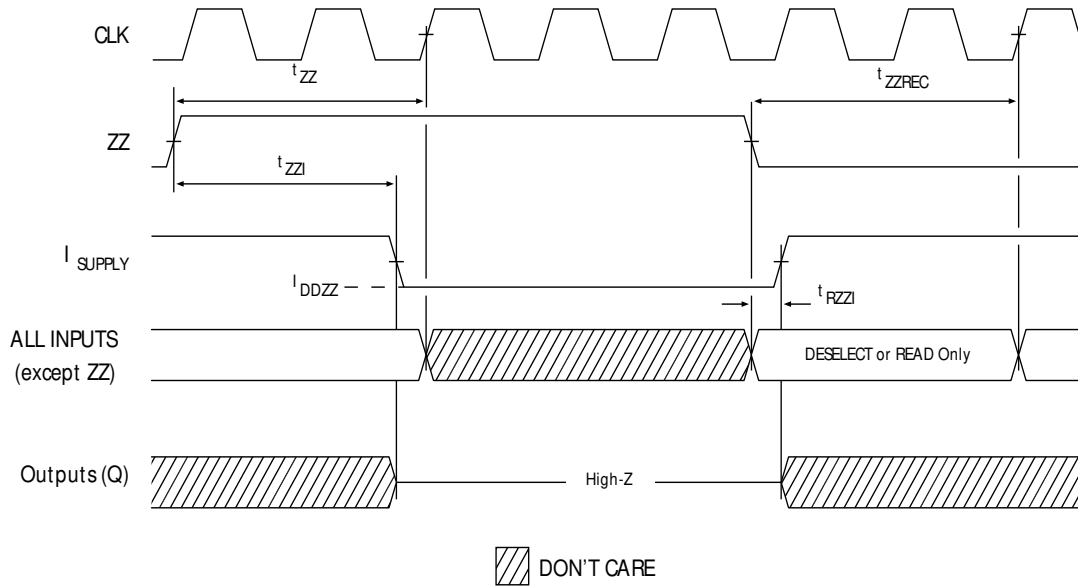
26. On this diagram, when  $\overline{CE}$  is LOW:  $\overline{CE}_1$  is LOW,  $CE_2$  is HIGH and  $\overline{CE}_3$  is LOW. When  $\overline{CE}$  is HIGH:  $\overline{CE}_1$  is HIGH or  $CE_2$  is LOW or  $\overline{CE}_3$  is HIGH.

27. Full width write can be initiated by either  $\overline{GW}$  LOW; or by  $\overline{GW}$  HIGH,  $\overline{BWE}$  LOW and  $\overline{BW}_X$  LOW.



## Switching Waveforms

### ZZ Mode Timing<sup>[31, 32]</sup>



#### Notes

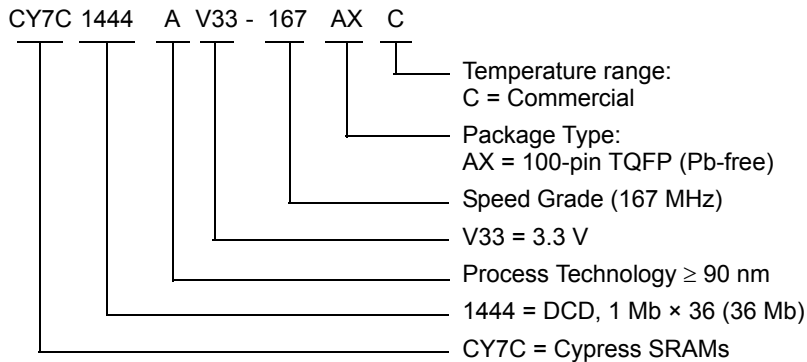
31. Device must be deselected when entering ZZ mode. See Cycle Descriptions table for all possible signal conditions to deselect the device.  
32. DQs are in high Z when exiting ZZ sleep mode.

## Ordering Information

Cypress offers other versions of this type of product in many different configurations and features. The below table contains only the list of parts that are currently available. For a complete listing of all options, visit the Cypress website at [www.cypress.com](http://www.cypress.com) and refer to the product summary page at <http://www.cypress.com/products> or contact your local sales representative. Cypress maintains a worldwide network of offices, solution centers, manufacturer's representatives and distributors. To find the office closest to you, visit us at <http://www.cypress.com/go/datasheet/offices>.

| Speed (MHz) | Ordering Code       | Package Diagram | Part and Package Type                                  | Operating Range |
|-------------|---------------------|-----------------|--|-----------------|
| 167         | CY7C1444AV33-167AXC | 51-85050        | 100-pin Thin Quad Flat Pack (14 × 20 × 1.4 mm) Pb-free | Commercial      |

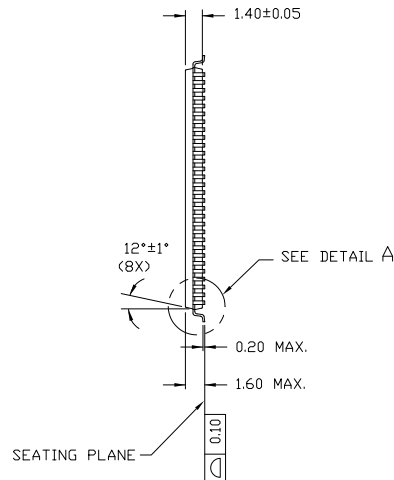
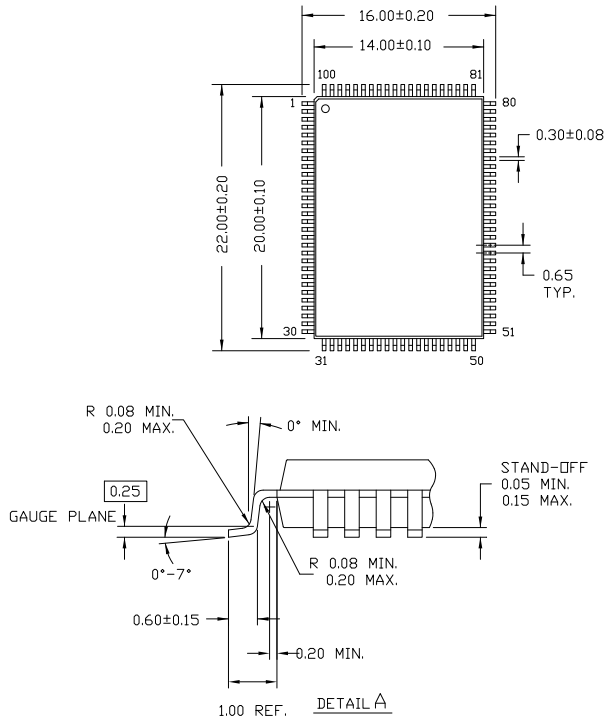
## Ordering Code Definitions





**Package Diagram**

100 Lead Thin Plastic Quad Flatpack 14 X 20 X 1.4mm



NOTE:

1. JEDEC STD REF MS-026
2. BODY LENGTH DIMENSION DOES NOT INCLUDE MOLD PROTRUSION/END FLASH  
MOLD PROTRUSION/END FLASH SHALL NOT EXCEED 0.0098 in (0.25 mm) PER SIDE  
BODY LENGTH DIMENSIONS ARE MAX PLASTIC BODY SIZE INCLUDING MOLD MISMATCH
3. DIMENSIONS IN MILLIMETERS

51-85050 \*C

## Acronyms

| Acronym | Description                 |
|---------|-----------------------------|
| CE      | chip enable                 |
| CEN     | clock enable                |
| FPBGA   | fine-pitch ball grid array  |
| I/O     | input/output                |
| JTAG    | Joint Test Action Group     |
| NoBL    | No Bus Latency              |
| OE      | output enable               |
| SRAM    | static random access memory |
| TCK     | test clock                  |
| TMS     | test mode select            |
| TDI     | test data-in                |
| TDO     | test data-out               |
| TQFP    | thin quad flat pack         |
| WE      | write enable                |

## Document Conventions

### Units of Measure

| Symbol | Unit of Measure |
|--------|-----------------|
| ns     | nano seconds    |
| V      | Volts           |
| μA     | micro Amperes   |
| mA     | milli Amperes   |
| ms     | milli seconds   |
| MHz    | Mega Hertz      |
| pF     | pico Farad      |
| W      | Watts           |
| °C     | degree Celcius  |

**Document History Page**

| Document Title: CY7C1444AV33/CY7C1445AV33 36-Mbit (1 M × 36/2 M × 18) Pipelined DCD Sync SRAM<br>Document Number: 38-05352 |         |                 |                 |   |
|--|---------|-----------------|-----------------|---|
| REV.   | ECN NO. | Submission Date | Orig. of Change | Description of Change   |
| **   | 124419  | 03/04/03        | CGM             | New data sheet  |
| *A   | 254910  | See ECN         | SYT             | Part number changed from previous revision. New and old part number differ by the letter "A"<br>Modified Functional Block diagrams<br>Modified switching waveforms<br>Added boundary scan information<br>Added footnote #13 (32-Bit Vendor I.D Code changed)<br>Added I <sub>DD</sub> , I <sub>X</sub> and I <sub>SB</sub> values in DC Electrical Characteristics<br>Added t <sub>POWER</sub> specifications in Switching Characteristics table<br>Removed 119 PBGA package<br>Changed 165 FBGA package from BB165 (15 x 17 x 1.20 mm) to BB165C (15 x 17 x 1.40 mm)   |
| *B   | 303533  | See ECN         | SYT             | Changed the test condition from V <sub>DD</sub> = Min. to V <sub>DD</sub> = Max for V <sub>OL</sub> in the Electrical Characteristics table<br>Replaced $\Theta_{JA}$ and $\Theta_{JC}$ from TBD to respective Thermal Values for All Packages on the Thermal Resistance Table<br>Changed I <sub>DD</sub> from 450, 400 & 350 mA to 475, 425 & 375 mA for 250, 200 and 167 Mhz respectively<br>Changed I <sub>SB1</sub> from 190, 180 and 170 mA to 225 mA for 250, 200 and 167 Mhz respectively<br>Changed I <sub>SB2</sub> from 80 mA to 100 mA for all frequencies<br>Changed I <sub>SB3</sub> from 180, 170 & 160 mA to 200 mA for 250, 200 and 167 MHz respectively<br>Changed I <sub>SB4</sub> from 100 mA to 110 mA for all frequencies<br>Changed C <sub>IN</sub> , C <sub>CLK</sub> and C <sub>I/O</sub> to 6.5, 3 and 5.5 pF from 5, 5 and 7 pF for TQFP Package<br>Changed t <sub>CO</sub> from 3.0 to 3.2 ns and t <sub>DOH</sub> from 1.3 ns to 1.5 ns for 200 MHz Speed Bin<br>Added lead-free information for 100-pin TQFP and 165 FBGA packages |
| *C   | 331778  | See ECN         | SYT             | Modified Address Expansion balls in the pinouts for 165 FBGA Package as per JEDEC standards and updated the Pin Definitions accordingly<br>Modified V <sub>OL</sub> , V <sub>OH</sub> test conditions<br>Changed C <sub>IN</sub> , C <sub>CLK</sub> and C <sub>I/O</sub> to 7, 7 and 6 pF from 5, 5 and 7 pF for 165 FBGA Package<br>Added Industrial Temperature Grades<br>Changed I <sub>SB2</sub> and I <sub>SB4</sub> from 100 and 110 mA to 120 and 135 mA respectively<br>Updated the Ordering Information by Shading and Unshading MPNs as per availability  |
| *D   | 417509  | See ECN         | R XU            | Converted from Preliminary to Final<br>Changed address of Cypress Semiconductor Corporation on Page# 1 from "3901 North First Street" to "198 Champion Court"<br>Changed I <sub>X</sub> current value in MODE from -5 & 30 $\mu$ A to -30 & 5 $\mu$ A respectively and also Changed I <sub>X</sub> current value in ZZ from -30 & 5 $\mu$ A to -5 & 30 $\mu$ A respectively on page# 16<br>Modified test condition from V <sub>IH</sub> $\leq$ V <sub>DD</sub> to V <sub>IH</sub> < V <sub>DD</sub><br>Modified "Input Load" to "Input Leakage Current except ZZ and MODE" in the Electrical Characteristics Table<br>Replaced Package Name column with Package Diagram in the Ordering Information table<br>Replaced Package Diagram of 51-85050 from *A to *B   |

**Document Title: CY7C1444AV33/CY7C1445AV33 36-Mbit (1 M × 36/2 M × 18) Pipelined DCD Sync SRAM**  
**Document Number: 38-05352**

| REV. | ECN NO. | Submission Date | Orig. of Change | Description of Change  |
|------|---------|-----------------|-----------------|--|
| *E   | 473229  | See ECN         | VKN             | Added the Maximum Rating for Supply Voltage on V <sub>DDQ</sub> Relative to GND<br>Changed t <sub>TH</sub> , t <sub>TL</sub> from 25 ns to 20 ns and t <sub>TDOV</sub> from 5 ns to 10 ns in TAP AC Switching Characteristics table<br>Updated the Ordering Information table. |
| *F   | 2898663 | 03/24/2010      | NJY             | Removed inactive parts from Ordering Information table. Updated package diagram.   |
| *G   | 3042209 | 09/29/2010      | NJY             | Added <a href="#">Ordering Code Definitions</a> .<br>Added <a href="#">Acronyms</a> and <a href="#">Units of Measure</a> .<br>Minor edits and updated in new template.   |

## Sales, Solutions, and Legal Information

### Worldwide Sales and Design Support

Cypress maintains a worldwide network of offices, solution centers, manufacturer’s representatives, and distributors. To find the office closest to you, visit us at [Cypress Locations](#).

### Products

|                          |  |
|--------------------------|--|
| Automotive               | <a href="http://cypress.com/go/automotive">cypress.com/go/automotive</a>   |
| Clocks & Buffers         | <a href="http://cypress.com/go/clocks">cypress.com/go/clocks</a>   |
| Interface                | <a href="http://cypress.com/go/interface">cypress.com/go/interface</a>   |
| Lighting & Power Control | <a href="http://cypress.com/go/powerpsoc">cypress.com/go/powerpsoc</a><br><a href="http://cypress.com/go/plc">cypress.com/go/plc</a> |
| Memory                   | <a href="http://cypress.com/go/memory">cypress.com/go/memory</a>   |
| Optical & Image Sensing  | <a href="http://cypress.com/go/image">cypress.com/go/image</a>   |
| PSoC                     | <a href="http://cypress.com/go/psoc">cypress.com/go/psoc</a>   |
| Touch Sensing            | <a href="http://cypress.com/go/touch">cypress.com/go/touch</a>   |
| USB Controllers          | <a href="http://cypress.com/go/USB">cypress.com/go/USB</a>   |
| Wireless/RF              | <a href="http://cypress.com/go/wireless">cypress.com/go/wireless</a>   |

### PSoC Solutions

[psoc.cypress.com/solutions](http://psoc.cypress.com/solutions)  
 PSoC 1 | PSoC 3 | PSoC 5

© Cypress Semiconductor Corporation, 2003-2010. The information contained herein is subject to change without notice. Cypress Semiconductor Corporation assumes no responsibility for the use of any circuitry other than circuitry embodied in a Cypress product. Nor does it convey or imply any license under patent or other rights. Cypress products are not warranted nor intended to be used for medical, life support, critical control or safety applications, unless pursuant to an express written agreement with Cypress. Furthermore, Cypress does not authorize its products for use as critical components in life-support systems where a malfunction or failure may reasonably be expected to result in significant injury to the user. The inclusion of Cypress products in life-support systems application implies that the manufacturer assumes all risk of such use and in doing so indemnifies Cypress against all charges.

Any Source Code (software and/or firmware) is owned by Cypress Semiconductor Corporation (Cypress) and is protected by and subject to worldwide patent protection (United States and foreign), United States copyright laws and international treaty provisions. Cypress hereby grants to licensee a personal, non-exclusive, non-transferable license to copy, use, modify, create derivative works of, and compile the Cypress Source Code and derivative works for the sole purpose of creating custom software and/or firmware in support of licensee product to be used only in conjunction with a Cypress integrated circuit as specified in the applicable agreement. Any reproduction, modification, translation, compilation, or representation of this Source Code except as specified above is prohibited without the express written permission of Cypress.

Disclaimer: CYPRESS MAKES NO WARRANTY OF ANY KIND, EXPRESS OR IMPLIED, WITH REGARD TO THIS MATERIAL, INCLUDING, BUT NOT LIMITED TO, THE IMPLIED WARRANTIES OF MERCHANTABILITY AND FITNESS FOR A PARTICULAR PURPOSE. Cypress reserves the right to make changes without further notice to the materials described herein. Cypress does not assume any liability arising out of the application or use of any product or circuit described herein. Cypress does not authorize its products for use as critical components in life-support systems where a malfunction or failure may reasonably be expected to result in significant injury to the user. The inclusion of Cypress’ product in a life-support systems application implies that the manufacturer assumes all risk of such use and in doing so indemnifies Cypress against all charges.

Use may be limited by and subject to the applicable Cypress software license agreement.