

5

4

3

2

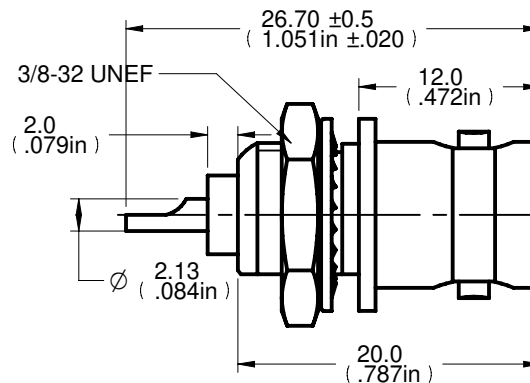
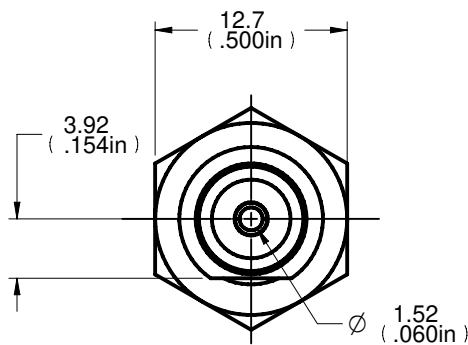
1

DRAWING NO. CP1094U-CUST	
<b>REVISIONS</b>	
01	OFFICIAL RELEASE
	03-20-09 T W B Y T
02	RELEASE FOR SUPPLIER ALTER
	07-27-11 Y G Y M L
03	LOCK WASHER MATERIAL WAS BRASS ADD MORE DIMENSIONS
	07-27-11 Y G Y M L ECO-11-0270
04	3/8-32UNEF WAS 3/8-32UNEF-2A
	01-11-12 Y G Y M L ECO-12-0008 <i>Lin Ma</i>

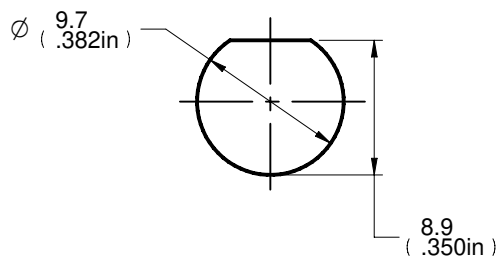
Description: BNC,Front Mount Bulkhead Jack, BeCu Contact  
 Part No: CP1094U  
 Application: PCB  
 Crimp Tool: N/A  
 Impedance: 50 Ohms  
 Frequency Range: 0-4 GHz  
 Material: Body Brass Nickel plated  
 Contact Becu Gold plated  
 Insulator Teflon  
 Nut Brass Nickel plated  
 Lock Washer S50C Nickel plated

RoHS Compliance: Yes

Technical Detail: Refer to Emerson Document P/N 27-0000



RECOMMENDED MOUNTING HOLE DIMENSIONS



**DIM OUTLINE**

TOLERANCE UNLESS OTHERWISE SPECIFIED		DRAWN BY YUGE HU	DATE 07-27-11
DECIMALS	mm	CHECKED BY YUGE HU	DATE 07-27-11
X	+ 0.5	APPROVED BY LIN MA	DATE 07-27-11
X.X	+ 0.2	U/M	mm
X.XX	+ 0.1		
ANGLES	+ 0.5°		

THIS DRAWING WAS PRODUCED BY COMPUTER, DO NOT SCALE DRAWING OR UPDATE MANUALLY.

<b>EMERSON</b> Network Power		<b>Connectivity Solutions</b>	
TITLE BNC,FRONT MOUNT BULKHEAD JACK, BECU CONTACT			
SHEET 1 OF 1	DRAWING NO. CP1094U-CUST	SIZE A	

**CUSTOMER COPY**

D

D

C

C

B

B

A

A

5

4

3

2

1