

THIS DRAWING IS UNPUBLISHED. RELEASED FOR PUBLICATION
 © COPYRIGHT 19 BY TYCO ELECTRONICS CORPORATION. ALL INTERNATIONAL RIGHTS RESERVED.

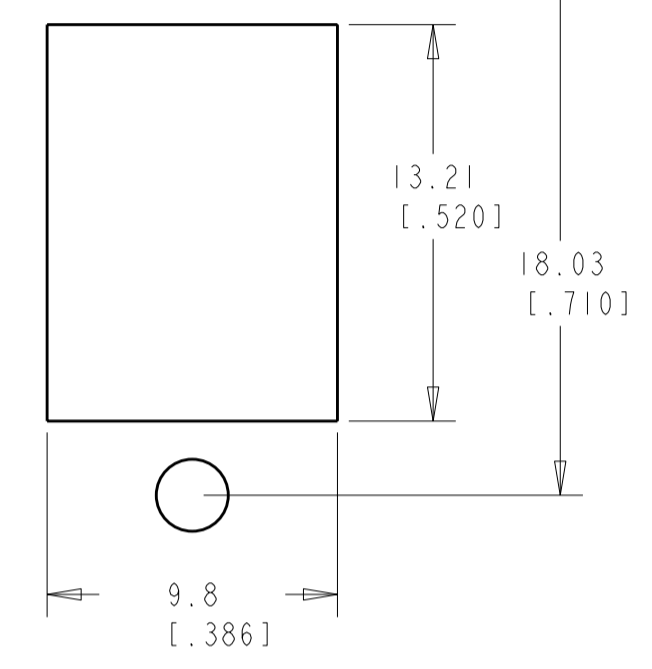
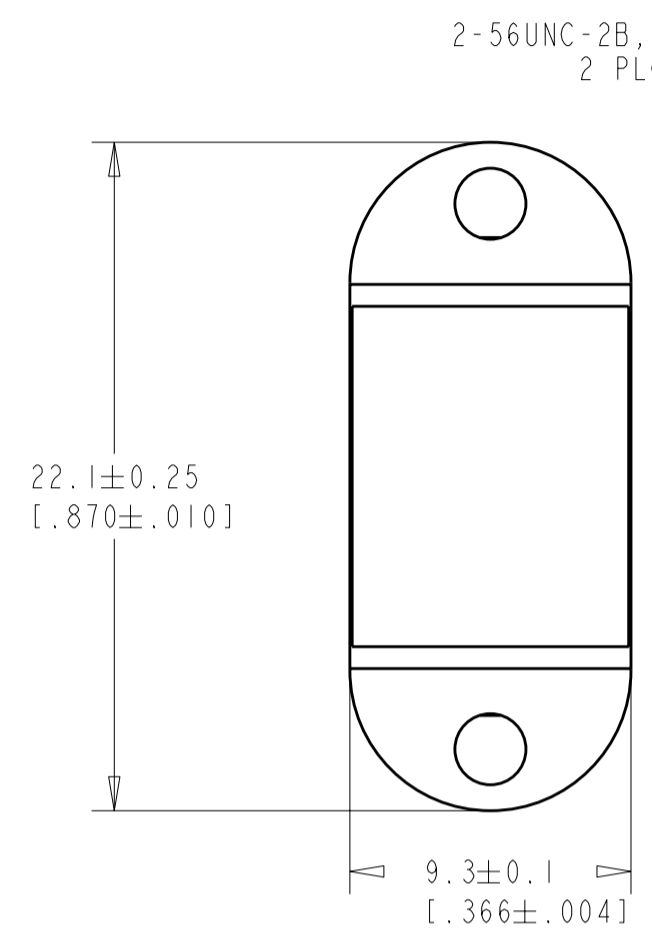
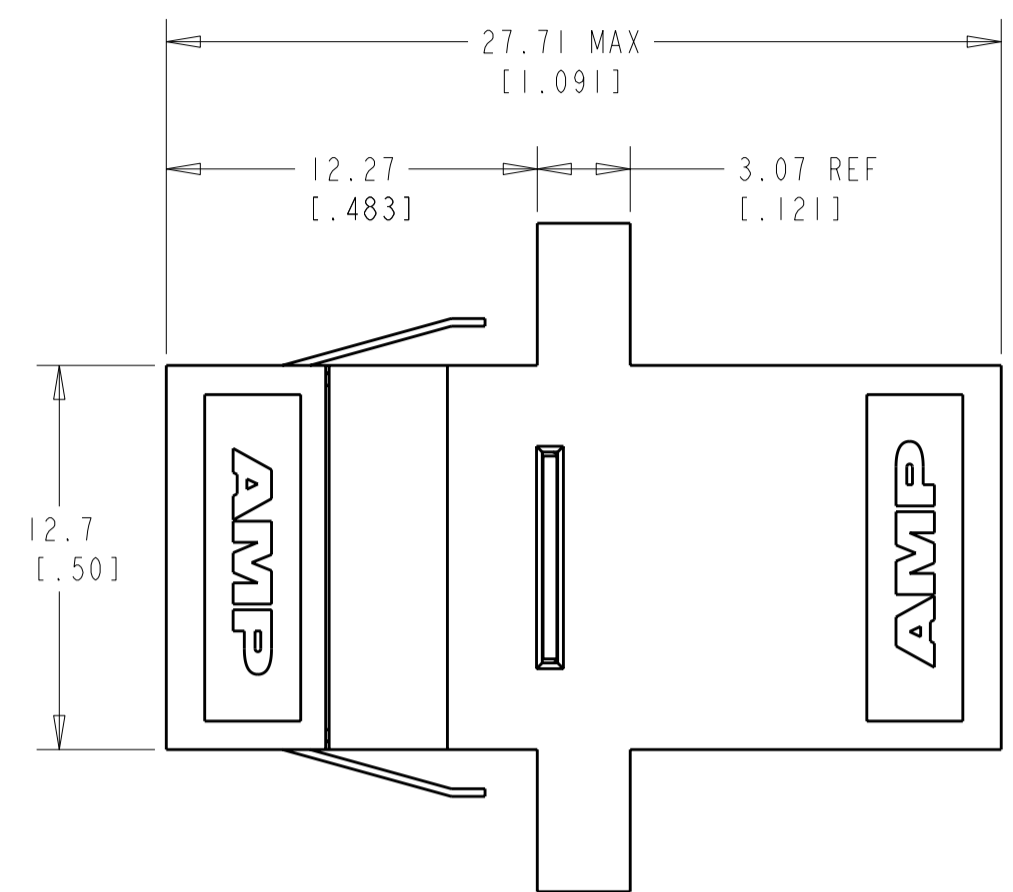
LOC	DIST	REVISIONS			
P	LTR	DESCRIPTION	DATE	DWN	APVD
CE	16				
	G	REV PER 0A00-0066-03	5-19-03	DDE	SM
	G1	REVISED PER ECO-10-000445	27JAN10	KK	HMR
	-	-	-	-	-

1 MATERIAL:
 HOUSING: DIECAST
 SLEEVE: SEE DASH NO'S
 RETAINER: PEI GF30, COLOR: BLACK, UL94 V-0 RATED AT QUALIFYING THICKNESS.
 DUST COVER: TPE, COLOR: BLACK, UL94 V-0 RATED AT QUALIFYING THICKNESS.
 RETENTION CLIP: SST

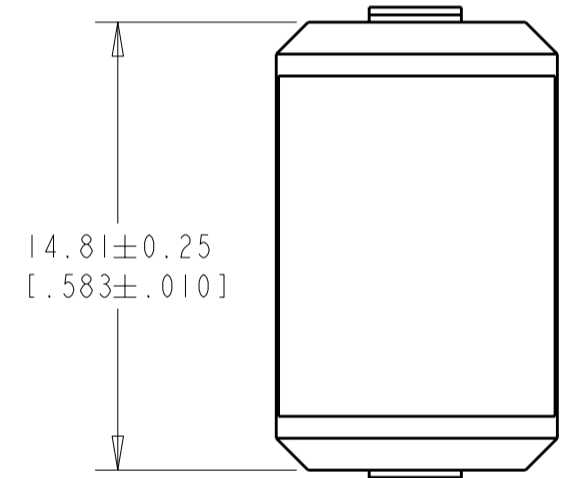
2 FINISH:
 HOUSING: NICKEL PLATED

3 BULK PACKAGE, 50 PCS.

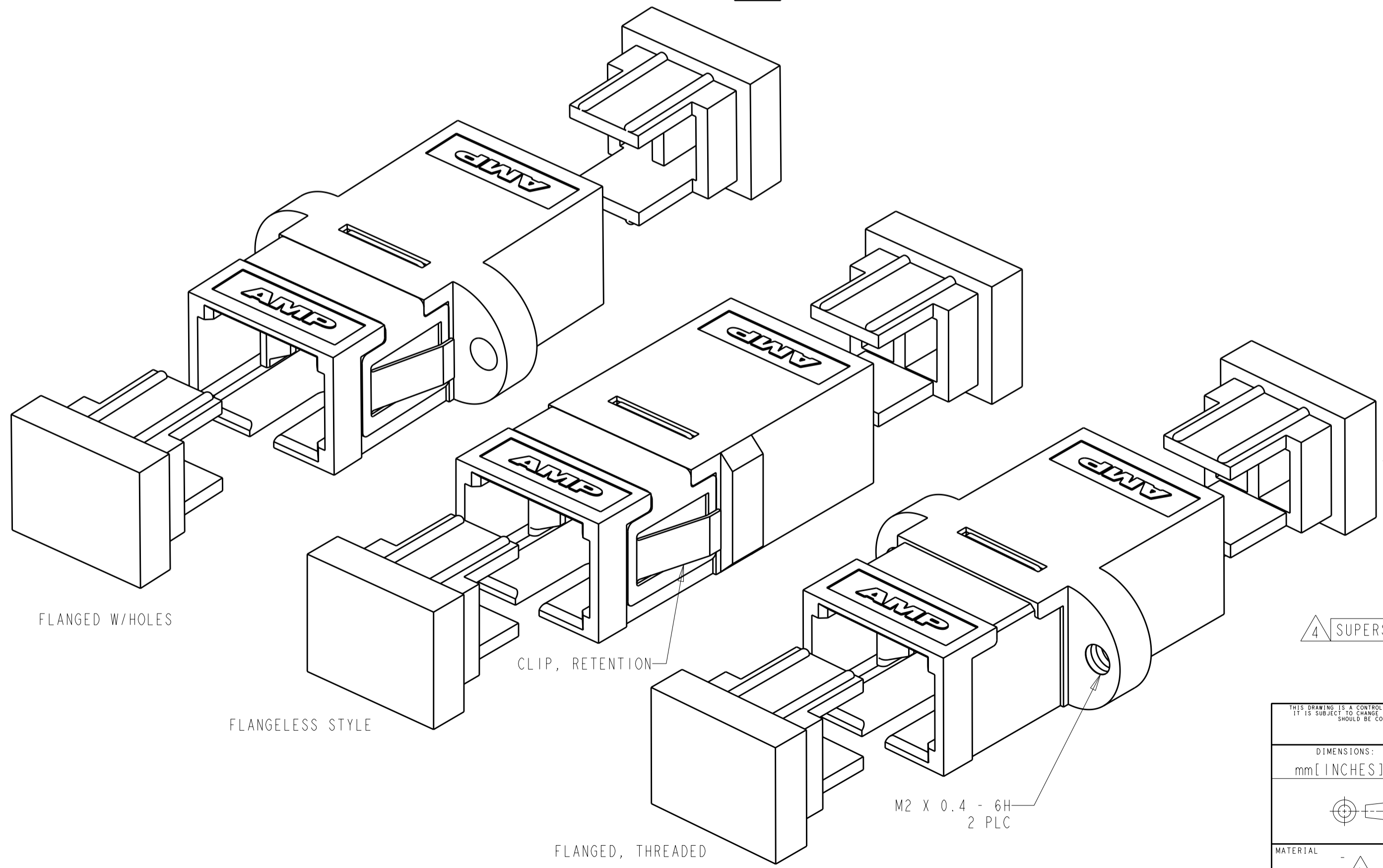
4 OBSOLETE PARTS: OBSOLETE CIS STREAMLINING PER D.RENAUD/D.SINISI



SUGGESTED PANEL CUTOUT
 MAX PANEL THICKNESS 1.7 [.067]



FLANGELESS STYLE



3	CERAMIC	FLANGED W/HOLES, NO CLIP	1-1278348-2
OBSOLETE	METAL	THREADED FLANGE, NO CLIP	1-1278348-1
4 SUP	CERAMIC	FLANGELESS, NO CLIP	+1278348-0
3	METAL	FLANGED W/HOLES, NO CLIP	1278348-9
3	CERAMIC	FLANGELESS	1278348-8
3	CERAMIC	FLANGELESS	1278348-7
3	METAL	FLANGELESS	1278348-6
3	METAL	FLANGELESS	1278348-5
3	CERAMIC	FLANGED W/HOLES	1278348-4
3	CERAMIC	FLANGED W/HOLES	1278348-3
4	METAL	FLANGED W/HOLES	1278348-2
4	METAL	FLANGED W/HOLES	1278348-1
		ALIGNMENT SLEEVE	
		DESCRIPTION	PART NO

4 SUPERSEDED BY 6278348-2

DIMENSIONS: mm [INCHES]		TOLERANCES UNLESS OTHERWISE SPECIFIED: 0 PLC ± 1 PLC ±0.13 [.005] 2 PLC ±0.13 [.005] 3 PLC ± 4 PLC ± ANGLES ± FINISH ±		DWN D. ERDMAN 11-5-98 CHK J. ENGLISH 11-5-98 APVD S. BUCHTER 11-5-98 PRODUCT SPEC APPLICATION SPEC WEIGHT		Tyco Electronics AMP Incorporated Harrisburg, PA 17105-3608	
MATERIAL 1		FINISH 2		NAME ASSEMBLY, RECEPTACLE, SC/SC SIMPLEX, DIECAST HOUSING		SIZE A2 CAGE CODE 00779 DRAWING NO. 1278348 RESTRICTED TO	
CUSTOMER DRAWING				SCALE 4:1 SHEET 1 OF 1 REV G1		1471-9 (2/09) Pro/ENGINEER DRAWING	