

**SPECIFICATION SHEET**

<b>SPECIFICATION SHEET NO.</b>	Q0119- RD24M00000S300
<b>DATE</b>	Jan.19, 2023
<b>REVISION</b>	A1
<b>DESCRIPTION</b>	SMD Oscillator, 5032 Type, L5.0*W3.2*H1.3mm, 4 Pads, COM53 series 24.0000MHz, 3.3V, +/-50ppm, Symmetry 45/55, Operating Temp. Range -40°C ~+85°C, Reflow Profile Condition 260 °C Max. HCMOS//15pF, Supply Current 40mA Max, Tristate function - Enable via Pad 1, Packed in Tape/Reel, 1000pcs/Reel RoHS/RoHS III compliant
<b>CUSTOMER</b>	
<b>CUSTOMER PART NUMBER</b>	
<b>CROSS REF. PART NUMBER</b>	
<b>ORIGINAL PART NUMBER</b>	TGS COM5331BGI01TLF-24M000
<b>PART CODE</b>	RD24M00000S300

**VENDOR APPROVE**

Issued/Checked/Approved



DATE: Jan.19, 2023

**CUSTOMER APPROVE**

DATE:

1/19/2023

**MHZ SMD OSCILLATOR 5032 TYPE 4 PADS**

**MAIN FEATURE**

- SMD Package, Seam Sealed, 5032 Type, L5.0\*W3.2\*H1.3mm, 4 Pads
- Low noise and Low current
- Industry standard
- Reflow Profile Condition 260 °C Max.
- Cross more competitors part
- RoHS/RoHS III compliant



**APPLICATION**

- PDA, PND, DSC, Smart phone, WiLAN, Bluetooth and more
- Communication Electronics

**PART CODE GUIDE**

**RFQ**

[Request For Quotation](#)

RD	24M00000	S	300
1	2	3	4

- 1) RD: Part family Code for SMD Oscillator 5032 Type, L5.0\*W3.2\*H1.3mm, 4 Pads, COM53 series
- 2) 24M00000: Frequency range code for 24.00000MHz
- 3) S: SMD type, Package Tape/Reel, 1000pcs/Reel
- 4) 300: Specification code for original part No.: **TGS COM5331BGI01TLF-24M000**

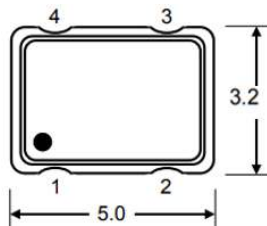
**MHZ SMD OSCILLATOR 5032 TYPE 4 PADS**

**DIMENSION (Unit: mm, Tol. +/-0.15mm)**

Image for reference

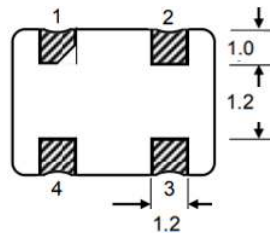


COM53



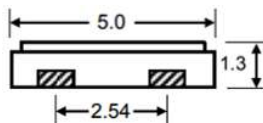
**Marking**

Line 1: 24.0000  
Line 2: Special Code

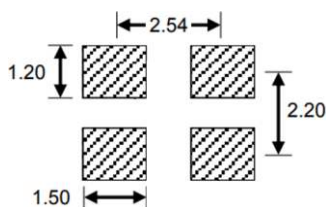


**Pin Function**

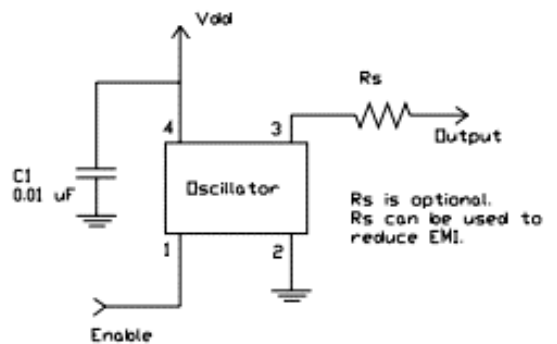
- #1 Enable (Tri-State)
- #2 Ground
- #3 Output
- #4 VDD



**Recommend Pad Layout**



**Circuit Principle**



**MHZ SMD OSCILLATOR 5032 TYPE 4 PADS**
**ELECTRICAL PARAMETERS**

Parameter	Part No. Symbol	Units	Value			Condition
			Min.	Typical	Max.	
Original Manufacturer	TGS	TGS Crystals				
Holder Type	COM53	SMD Oscillator, 5032 Type, L5.0*W3.2*H1.30mm, 4 Pads				
Supply Voltage	3	V	3.3		+/-10%	
Enable/Disable Function	1		Tristate function - Enable		@ Control via pin 1	
Overall Freq. Tolerance	B	ppm	-50		+50	@25°C
Operating Temp. Range	G	°C	-40		+85	
Storage Temp. Range		°C	-55		+125	
Symmetry	I	%	45		55	
Output	V OH	V	90%			High (Logic "1")
	V OL	V			10%	Low (Logic "0")
	Load	pF	15			
Output Waveform	01		HCMOS		@OutputLoad 15pF	
Startup Time		ms			10	
Supply Current		mA			40	
Rise/ Fall time		ns			10	
Phase Jitter		ps			1.0	@12KHz~20MHz
Aging		ppm/year			±3	@1 <sup>st</sup> year
Others	Package	T	Tape/Reel			
	RoHS Status	LF	RoHS III compliant			
	Add Value		N/A			
	Internal Control Code *		N/A			
Frequency Range	-24M000		24.0000MHz			

Note: 1) Original Part Number: **TGS COM5331BGI01TLF-24M000**

2) \* Internal Control Code- 2 letter or digits; Blank: N/A

1/19/2023

4

**MHZ SMD OSCILLATOR 5032 TYPE 4 PADS**
**RELIABILITY**

Test Items	Test Method And Conditions	Reference Documents
High Temperature High Humidity Storage	Temperature: 85°C±3°C Relative Humidity:85%RH Time: 1000 Hours	JIS C5023
High Temperature Storage	Temperature: 125°C±3°C Time: 1000+/-12 Hours.	MIL-STD-883
Low Temperature Storage	Temperature: -40°C±3°C Time: 1000+/-12 Hours	MIL-STD-883
Thermal Shock	Temperature 1: -125°C±3°C Temperature 2: -55°C±3 °C Temperature change between T1 and T2 10 min 100 cycles maintain T1 and T2 for 10 Min. each cycle	MIL-STD-883
Resistance to Solder Heat	Solder Temperature: 260°C±5°C Time: 10±1 Seconds	MIL-STD-202
Solderability	The solder pot temperature is 245±5°C Immersing Depth: 0.5mm Min. Immersion Time: 5 ± 1 sec. Flux: Rosin resin methyl alcohol solvent (1:4)	MIL-STD-883
Drop Test	3 Times Free Fall from 75cm height table to 3cm thickness hard wood board	JIS C6701
Mechanical Shock	Half sine wave,1000 G 3 Times for all 3 directions(X,Y Z)	MIL STD 202
Vibration	Frequency Range: 10Hz ~ 2000Hz Amplitude: 1.52m/20G Sweep time: 20 minutes 4 Hours in each direction, total 12 Hours	MIL-STD-883
Leakage Test	Gross leak: standard sample for automatic gross leak detector, test pressure: 2 kg/cm <sup>2</sup> Fine leak: Helium Bombing 4.5kgf/cm <sup>2</sup> for 2 hours	MIL-STD-883
Pressure cooker storage	121°C±3°C, RH 100%; 2 bar, 240 hours	JIS C6701

**MHZ SMD OSCILLATOR 5032 TYPE 4 PADS**

**SUGGESTED REFLOW PROFILE (For Reference Only)**

Total time: 200 Sec. Max. Solder melting point: 220°C

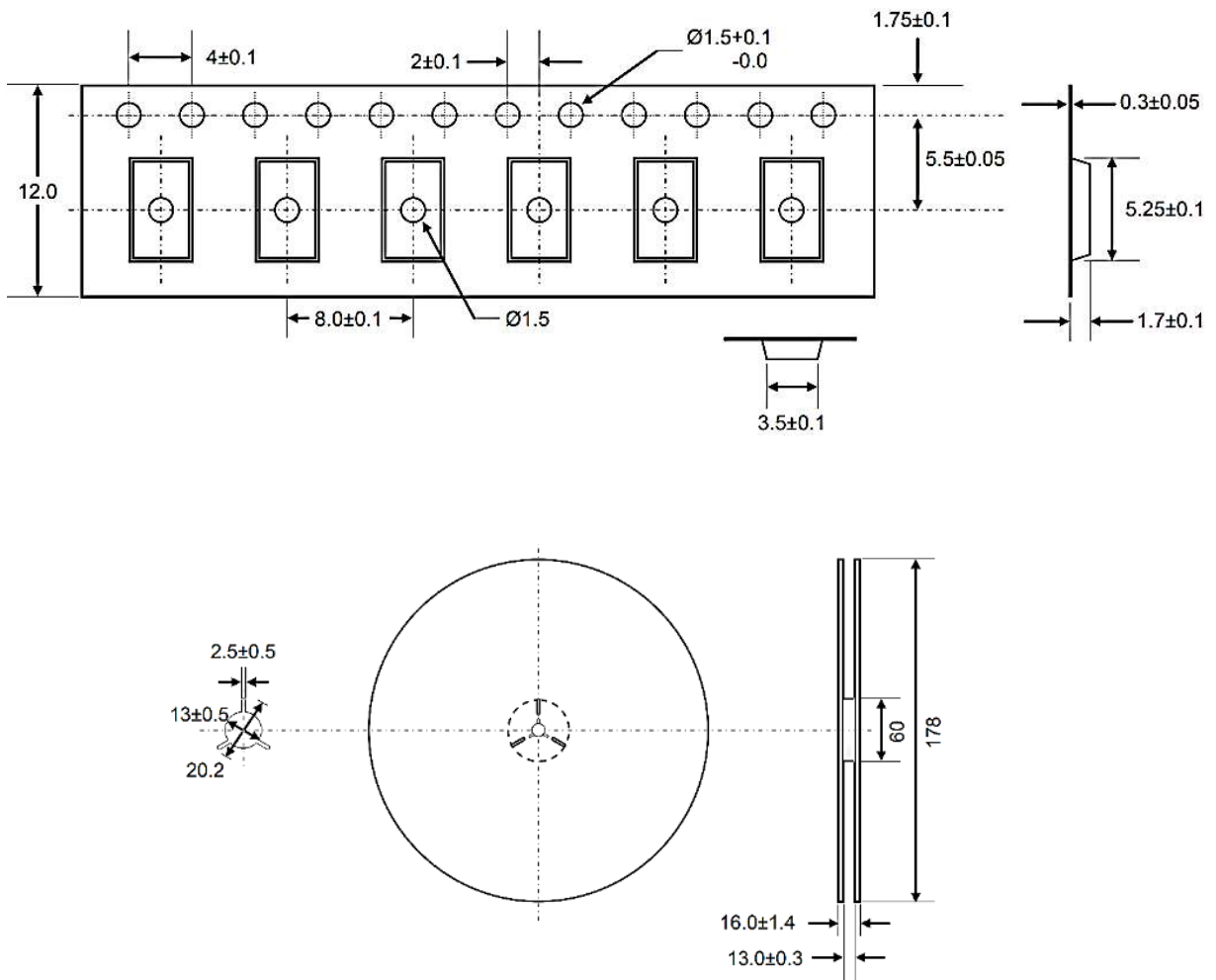


<b>Profile Feature</b>		Pb-Free Assembly
<b>Average Ramp-up Rate (Ts Max to Tp)</b>		3°C/second Max
<b>Preheat</b>	<b>Temperature Min (Ts Min.)</b>	125°C
	<b>Temperature Max (Ts Max.)</b>	200°C
	<b>Time (ts Min. to ts Max.)</b>	60 ~ 180 seconds
<b>Time maintained above</b>	<b>Temperature (Tl)</b>	217°C
	<b>Time (tL)</b>	60 ~ 150 seconds
<b>Peak/Classification Temperature (Tp)</b>		260 °C
<b>Time within 5°C of actual Peak Temperature (tp)</b>		20 ~ 40 seconds
<b>Ramp-down rate</b>		6 °C /Second Max.
<b>Time 25 °C to Peak Temperature</b>		8 minutes Max.
<b>Suggest reflow times</b>		3 Times Max.

**MHZ SMD OSCILLATOR 5032 TYPE 4 PADS**

**TAPE/REEL (Unit: mm)**

All Devices are packed in accordance with EIA standard RS-481-2 and specifications, 1000pcs/Reel



**DISCLAIMER**

NextGen Components, Inc. reserves the right to make changes to the product(s) and or information contained herein without notice. No liability is assumed as a result of their use or application. No rights under any patent accompany the sale of any such product(s) or information