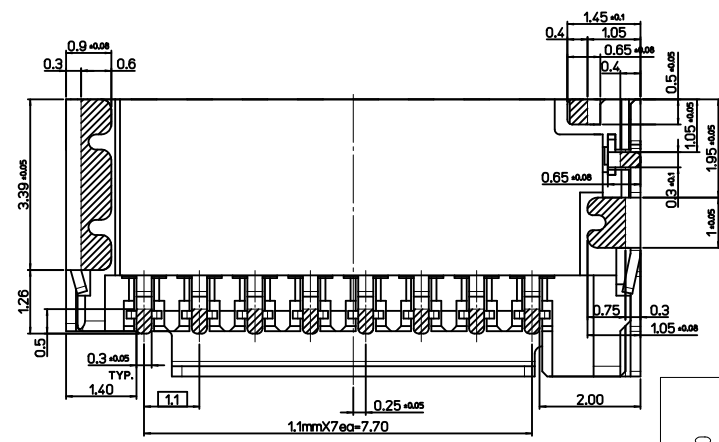


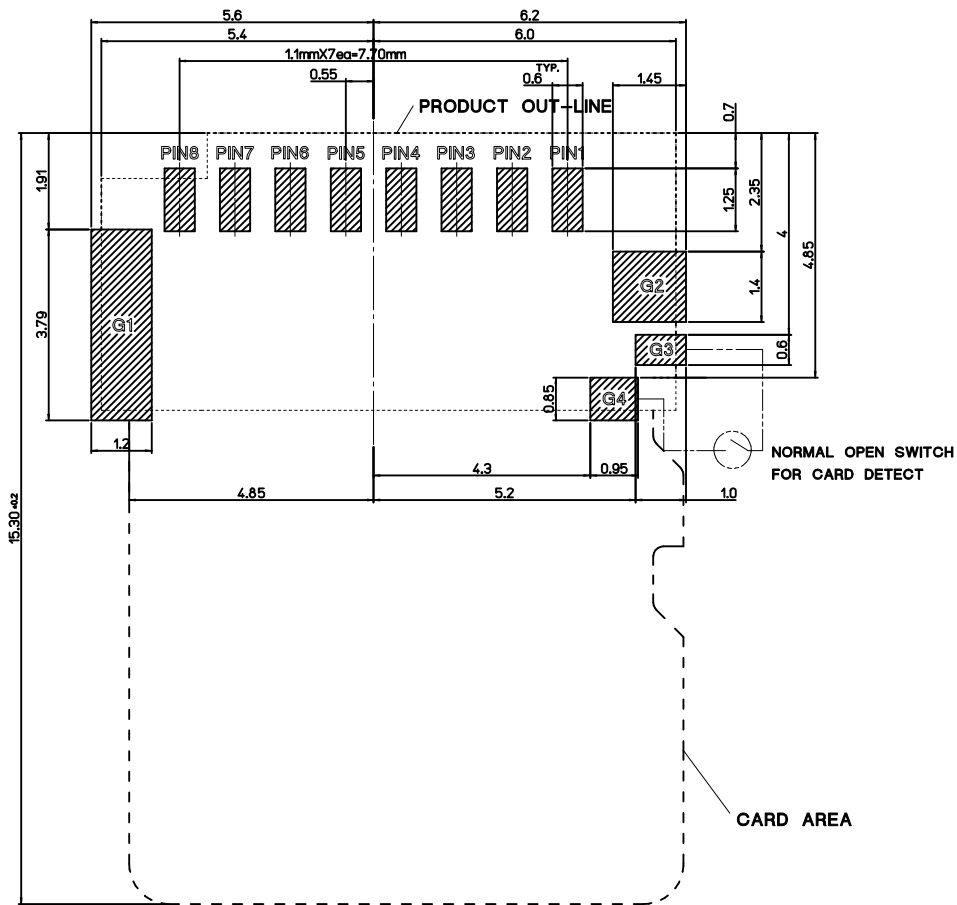
NOTES

- MATERIALS:**
1-1. HOUSING : HIGH TEMPERATURE THERMOPLASTIC,UL 94V-0,BLACK
1-2. CONTACT TERL & SWITCH TERL & DETECT TER : PHOS-BRONZE
1-3. METAL SHELL : STAINLESS STEEL
- FINISHES:**
2-1. CONTACT TERL : 1.25-5.5 MICRON NICKEL UNDER-PLATED
MIN. 0.2 MICRON GOLD ON CONTACT AREA,
MIN. 0.05 MICRON GOLD ON SOLDER AREA
2-2. METAL SHELL: MIN. 0.05 MICRO GOLD PLATED ON SOLDER AREA
OVER 1.25-3.0 MICRON NICKEL OVERALL
3-3. DETECT TERL : 1.25-5.5 MICRON NICKEL UNDER-PLATED
MIN.0.1 MICRON GOLD ON CONTACT AREA,
MIN. 0.05 MICRON GOLD ON OTHER AREA.
3-4. SWITCH TERL : 1.25-5.5 MICRON NICKEL UNDER-PLATED
MIN. 0.1 MICRON GOLD MIN ON CONTACT AREA,
MIN. 0.05 MICRON GOLD ON OTHER AREA
- PRODUCT SPECIFICATION :** PS-104032 -001
- ★ **COPLANARITY OF SOLDER TAILS :** 0.08mm MAX.(BEFORE & AFTER REFLOW)
MISALIGNMENT OF SOLDER TAIL FROM 'B'
UPPER DIRECTION 0.05 MAX., LOWER DIRECTION 0.1MAX.
- PACKAGING SPECIFICATION :** PK-104032 -001
- ★ IS CTQ DIMENSION : MOLEX MAJOR QUALITY SYMBOLS



1040320821	104032-0821
MATERIAL NO.	ORDER NO.

REVISED EC NO: KOR2011-0050 DRWN:HYOU 2010/11/23 CHKD:YSOOKIM 2010/11/23 APPR:YUNSIKKIM 2010/11/23	QUALITY SYMBOLS	GENERAL TOLERANCES (UNLESS SPECIFIED)	DIMENSION STYLE	SCALE	DESIGN UNITS	THIRD ANGLE PROJECTION	
	▽ _A =0 ▽ _C =0 ▽ _P =0	mm INCH	MM ONLY	10:1	METRIC		
		4 PLACES ± --- ± --- 3 PLACES ± --- ± --- 2 PLACES ± 0.10 ± --- 1 PLACE ± 0.15 ± ---	DRAWN BY DATE S.H.CHU 2008/11/11	TITLE	MICROSD HEADER T-2.85 WITH DETECT, PUSH/PULL		
		ANGULAR ± 1 °	CHECKED BY DATE S.H.CHU 2008/11/11	APPROVED BY DATE S.J.SEH 2008/11/11	MOLEX MOLEX INCORPORATED		
	DRAFT WHERE APPLICABLE MUST REMAIN WITHIN DIMENSIONS	MATERIAL NO.	SIZE	DOCUMENT NO.	SHEET NO.		
		SEE TABLE	A3	SD-104032-001	1 OF 3		
			THIS DRAWING CONTAINS INFORMATION THAT IS PROPRIETARY TO MOLEX INCORPORATED AND SHOULD NOT BE USED WITHOUT WRITTEN PERMISSION				

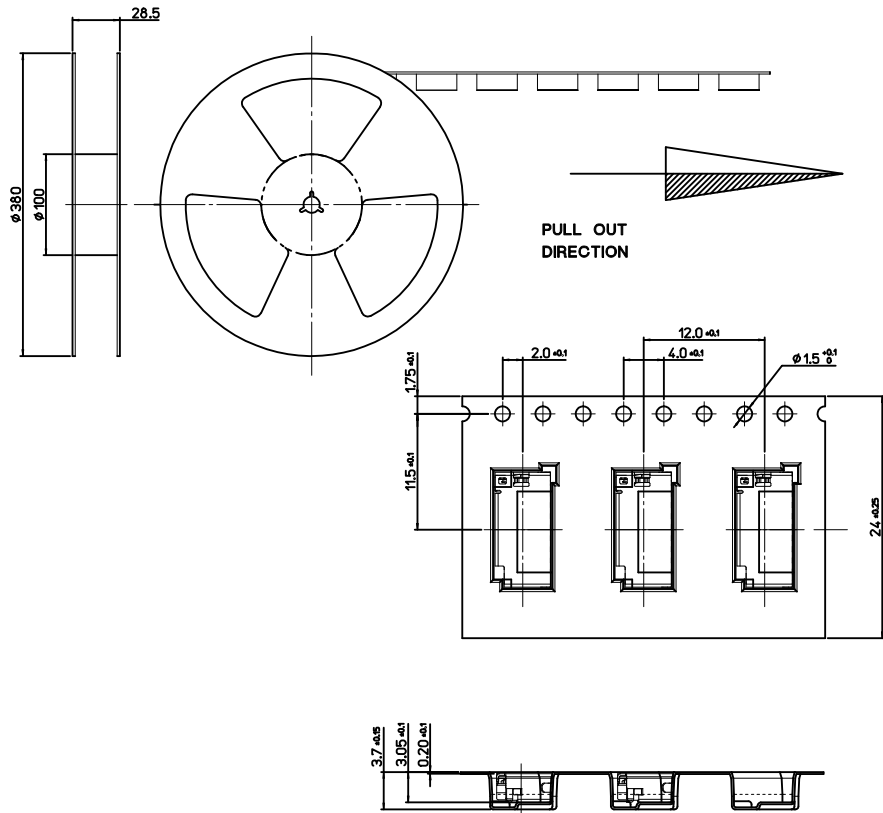


PIN NUMBER	DESCRIPTION
P1	DAT2
P2	CD/DAT3
P3	CMD
P4	VDD
P5	CLK
P6	VSS
P7	DAT0
P8	DAT1
G1	GND
G2	GND
G3	POL
G4	DET

RECOMMENDED PCB PATTERN LAYOUT

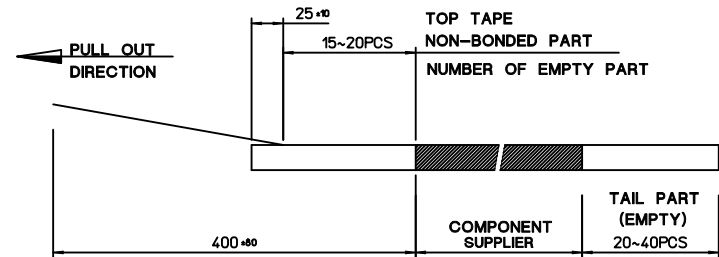
TOLERANCE : ±0.05

REVISED EC NO: KOR2011-0050 DRWN:HYOU 2010/11/23 CHKD:YSOOKIM 2010/11/23 APPR:YUNSIKKIM 2010/11/23	QUALITY SYMBOLS	GENERAL TOLERANCES (UNLESS SPECIFIED)	DIMENSION STYLE	SCALE	DESIGN UNITS	THIRD ANGLE PROJECTION															
	$\nabla_A = 0$ $\nabla_C = 0$ $\nabla_P = 0$	<table border="1"> <tr> <th></th> <th>mm</th> <th>INCH</th> </tr> <tr> <td>4 PLACES</td> <td>±</td> <td>±---</td> </tr> <tr> <td>3 PLACES</td> <td>±---</td> <td>±---</td> </tr> <tr> <td>2 PLACES</td> <td>±0.10</td> <td>±---</td> </tr> <tr> <td>1 PLACE</td> <td>±0.15</td> <td>±---</td> </tr> </table>		mm	INCH	4 PLACES	±	±---	3 PLACES	±---	±---	2 PLACES	±0.10	±---	1 PLACE	±0.15	±---	MM ONLY	10:1	METRIC	
		mm	INCH																		
	4 PLACES	±	±---																		
3 PLACES	±---	±---																			
2 PLACES	±0.10	±---																			
1 PLACE	±0.15	±---																			
DESCRIPTION	ANGULAR ± 1°	DRAWN BY S.H.CHU CHECKED BY S.H.CHU APPROVED BY S.J.SEH	DATE 2008/11/11 DATE 2008/11/11 DATE 2008/11/11	TITLE MICROSD HEADER T-2.85 WITH DETECT, PUSH/PULL																	
REV	DRAFT WHERE APPLICABLE MUST REMAIN WITHIN DIMENSIONS	ENTER PART	MATERIAL NO.		DOCUMENT NO.																
B			SIZE A3	THIS DRAWING CONTAINS INFORMATION THAT IS PROPRIETARY TO MOLEX INCORPORATED AND SHOULD NOT BE USED WITHOUT WRITTEN PERMISSION																	



NOTES

- 1. QUANTITY OF CONNECTORS : 2,000PCS/REEL
- 2. LEAD LENGTH



- 3. PEELING OFF FORCE OF COVER TAPE : 0.1N~0.59N(10.2GF~60GF)
(PEELING DIRECTION AS SHOW IN FOLLOW FIG.)
- PEELING OFF SPEED : 300mm/Min.(Ref.)



REVISED EC NO: KOR2011-0050 DRWN:HYOU 2010/11/23 CHKD:YSOOKIM 2010/11/23 APPR:YUNSIKKIM 2010/11/23	DESCRIPTION REV	QUALITY SYMBOLS		GENERAL TOLERANCES (UNLESS SPECIFIED)		DIMENSION STYLE		SCALE	DESIGN UNITS	THIRD ANGLE PROJECTION	
				mm	INCH	MM ONLY		10:1	METRIC		
		$F_A=0$	$F_C=0$	4 PLACES	\pm	\pm	DRAWN BY	DATE	TITLE		
		$F_B=0$	$F_D=0$	3 PLACES	\pm	\pm	S. H. CHU	2008/11/11	MICROSD HEADER T-2.85 WITH DETECT, PUSH/PULL		
		2 PLACES	± 0.15	\pm	CHECKED BY	DATE	MOLEX INCORPORATED				
		1 PLACE	± 0.25	\pm	S. H. CHU	2008/11/11	MATERIAL NO. ENTER PART				
		ANGULAR $\pm 1^\circ$		DRAFT WHERE APPLICABLE MUST REMAIN WITHIN DIMENSIONS		APPROVED BY		DATE	DOCUMENT NO. SD-104032-001		
						S. J. SEH		2008/11/11	SHEET NO. 3 OF 3		
						MATERIAL NO.		ENTER PART		SHEET NO.	
						SIZE A3		THIS DRAWING CONTAINS INFORMATION THAT IS PROPRIETARY TO MOLEX INCORPORATED AND SHOULD NOT BE USED WITHOUT WRITTEN PERMISSION			