

REVISIONS				
P	LTN	DESCRIPTION	DATE	APPV
B3	ECR-11-005515		21MAR2011	SR AR
B4	ECR-11-018047		08SEP11	RK MKO
B5	ECR-16-009335		08DEC2016	GCM MKO
B6	REVISED PER ECR-17-014011		17JAN2018	SRG MKO

- NOTES
- 1 MATERIAL:SEE THE TABLE
 - 2 SURFACE:SEE THE TABLE
 - 3 PACKAGING QUANTITY: 3 PIECES IN A BOX

QTY	DESCRIPTION	MATERIAL	SURFACE	COLOR	ITEM NO	NOTE												
4	WASHER	V2A			15	B6.4												
4	SCREW	V2A			14	M6x30												
1	HOOD HIP/EMV	Al.Leg 231	SUR TEC 650 CHROMIT AL TCP PASSIVATION	BLACK	13	THREAD 3xM25												
1	HOOD HIP/EMV	Al.Leg 231	SUR TEC 650 CHROMIT AL TCP PASSIVATION	BLACK	12	THREAD 1xM63												
1	HOOD HIP/EMV	Al.Leg 231	SUR TEC 650 CHROMIT AL TCP PASSIVATION	BLACK	11	THREAD 5xM40												
1	HOOD HIP/EMV	Al.Leg 231	HARD COAT	BLACK	10	THREAD 1xM63												
1	HOOD HIP/EMV	Al.Leg 231	HARD COAT	BLACK	9													
1	HOOD HIP/EMV	Al.Leg 231	SUR TEC 650 CHROMIT AL TCP PASSIVATION	BLACK	8													
1	HOOD HIP/EMV	Al.Leg 231	HARD COAT	BLACK	7	THREAD 4xM32												
1	HOOD HIP/EMV	Al.Leg 231	SUR TEC 650 CHROMIT AL TCP PASSIVATION	BLACK	6	THREAD 4xM32												
1	HOOD HIP/EMV	Al.Leg 231	HARD COAT	BLACK	5	THREAD 2xM50+1.M20.G												
1	HOOD HIP/EMV	Al.Leg 231	SUR TEC 650 CHROMIT AL TCP PASSIVATION	BLACK	4	THREAD 2xM50+1.M20.G												
1	HOOD HIP/EMV	Al.Leg 231	HARD COAT	BLACK	3	THREAD 2xM40+1.M20.G												
1	HOOD HIP/EMV	Al.Leg 231	SUR TEC 650 CHROMIT AL TCP PASSIVATION	BLACK	2	THREAD 2xM40+1.M20.G												
1	HOOD HIP/EMV	Al.Leg 231	SUR TEC 650 CHROMIT AL TCP PASSIVATION	BLACK	1	THREAD 4xM25												
1-5	1-2	1-1	1-0	0-9	0-8	0-7	0-6	0-5	0-4	0-3	0-2	0-1	DESCRIPTION	MATERIAL	SURFACE	COLOR	ITEM NO	NOTE
													HF-EMVK12.STO.2M40G+1.M20G					
													HF-HIPK12.STO.2M40G+1.M20G					
													HF-EMVK12.STO.2M50G+1.M20G					
													HF-HIPK12.STO.2M50G+1.M20G					
													HF-EMVK12.STO.4M32G					
													HF-HIPK12.STO.4M32G					
													HF-EMVK12.STO.4M25G					
													HF-EMV-K.12.ST-WE					
													HF-HIP-K.12.ST-WE					
													HF-HIPK12.STO.1M63G					
													HF-EMVK12.STO.5M40G					
													HF-EMVK12.STO.1M63G					
													HF-EMV-K.12.STO.3.M25.G					

THIS DRAWING IS A CONTROLLED DOCUMENT. DWG: SCHNEIDER 18.05.2006
 CHK: H.BRAUN 09.09.2001
 APVD: T.SCHNURPEL 09.09.2001

TE Connectivity

NAME: HOOD SERIES HF SIZE 12

PRODUCT SPEC: 108-74XXX

APPLICATION SPEC: 116-74XXX

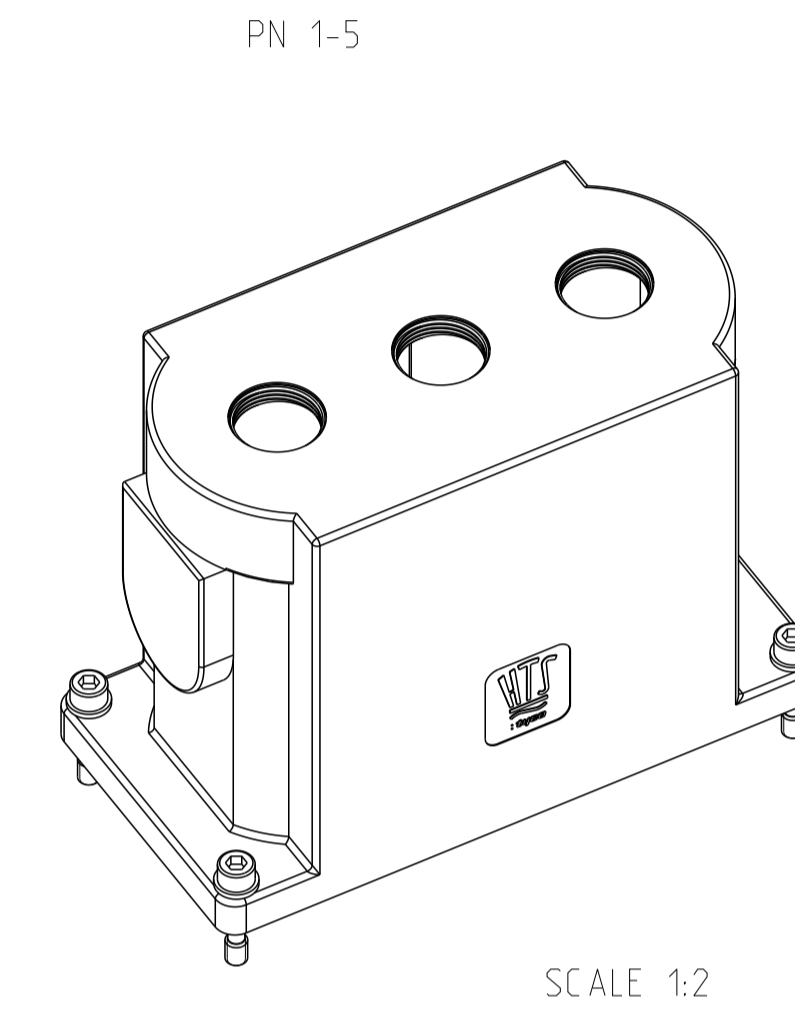
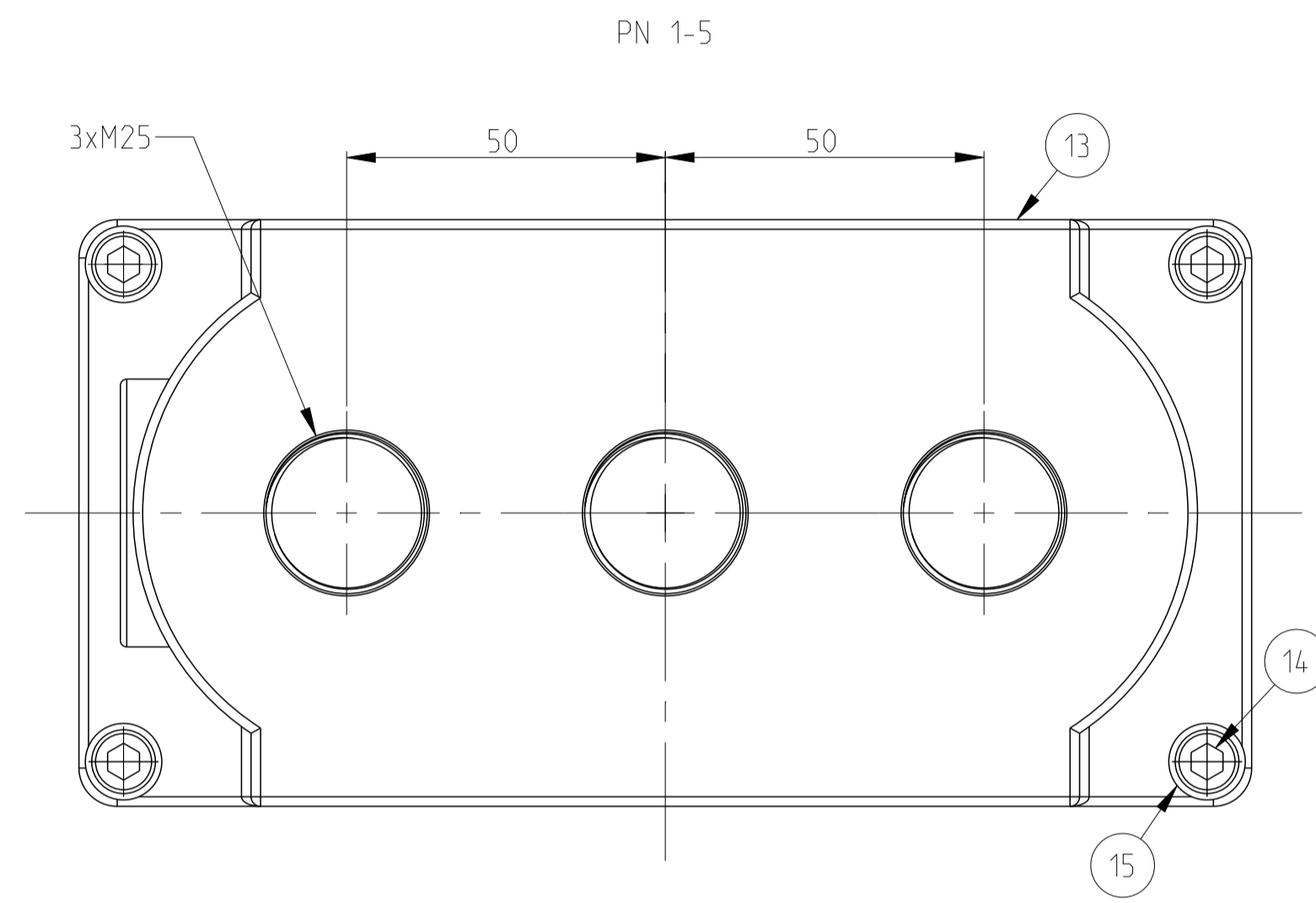
SIZE: A1 CAGE CODE: 0079 DRAWING NO: C=1102840

RESTRICTED TO: 1 OF 2

SCALE: 5:1 SHEET: 1 OF 2 REV: B6

CUSTOMER DRAWING

REVISIONS					
P.	LTN	DESCRIPTION	DATE	DMN	APVD
-		SEE SHEET 1	-	-	-



THIS DRAWING IS A CONTROLLED DOCUMENT.		DMN SCHNEIDER 18.05.2006	
		CHK H.BRAUN 09.09.2001	
DIMENSIONS:	TOLERANCES UNLESS OTHERWISE SPECIFIED:	APVD T.SCHNURPFEL 09.09.2001	NAME HOOD
mm	0 PLC ±0.1	PRODUCT SPEC	SERIES HF SIZE 12
	1 PLC ±0.1	108-74XXX	
	2 PLC ±0.1	APPLICATION SPEC	
	3 PLC ±0.1	116-74XXX	SIZE A1
	4 PLC ±0.1	WEIGHT -	CAGE CODE 0079
	ANGLES ±0.1°		DRAWING NO C=1102840
MATERIAL -	FINISH -	CUSTOMER DRAWING	RESTRICTED TO
			SCALE 5:1 SHEET 2 OF 2 REV B6