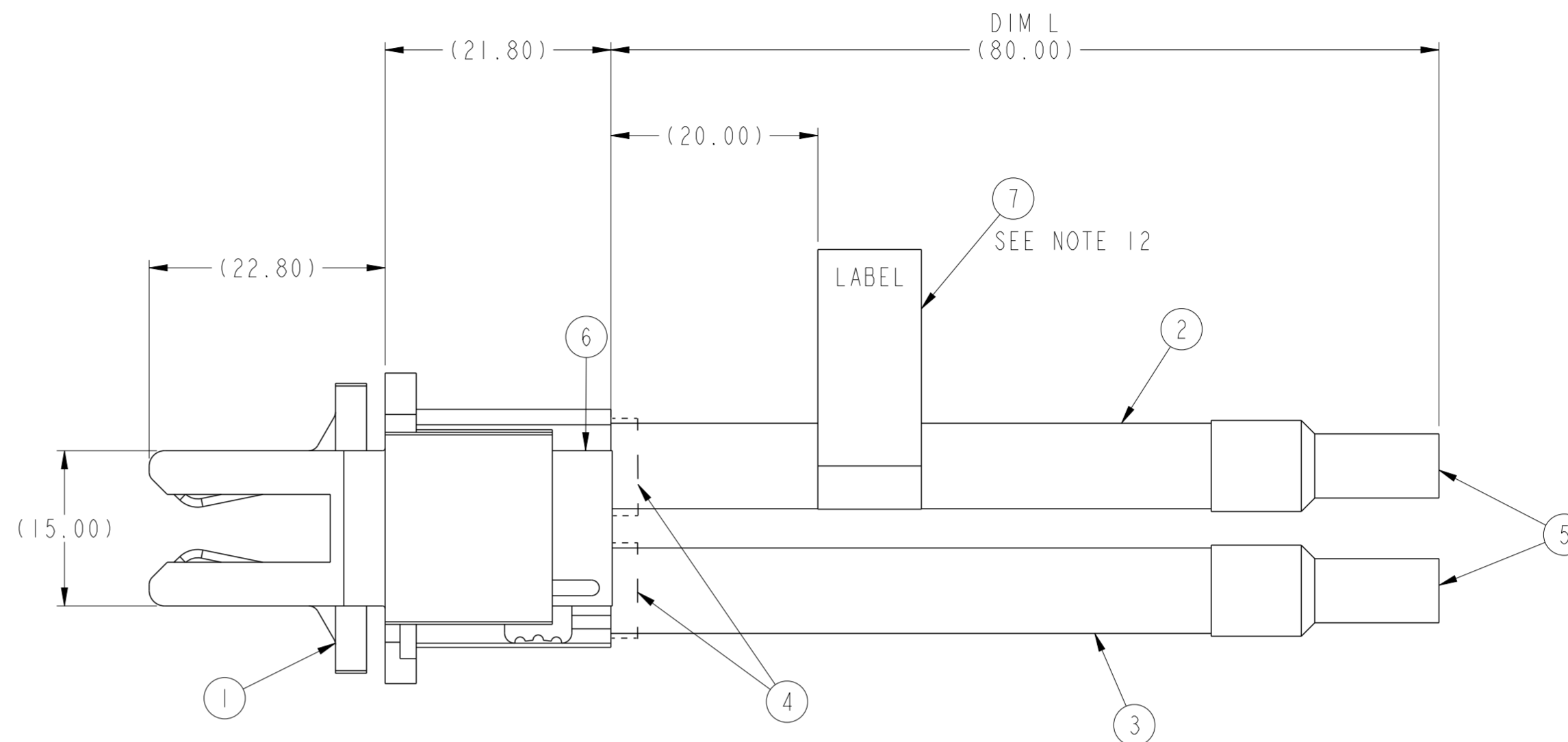
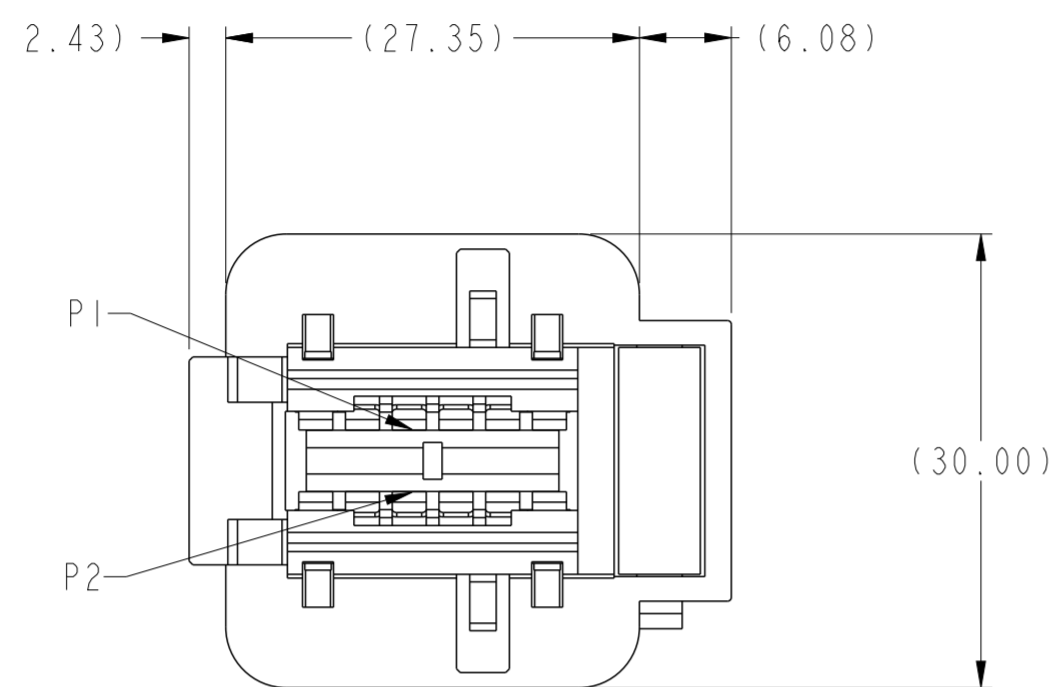


FCI PN: SEE NOTE 3

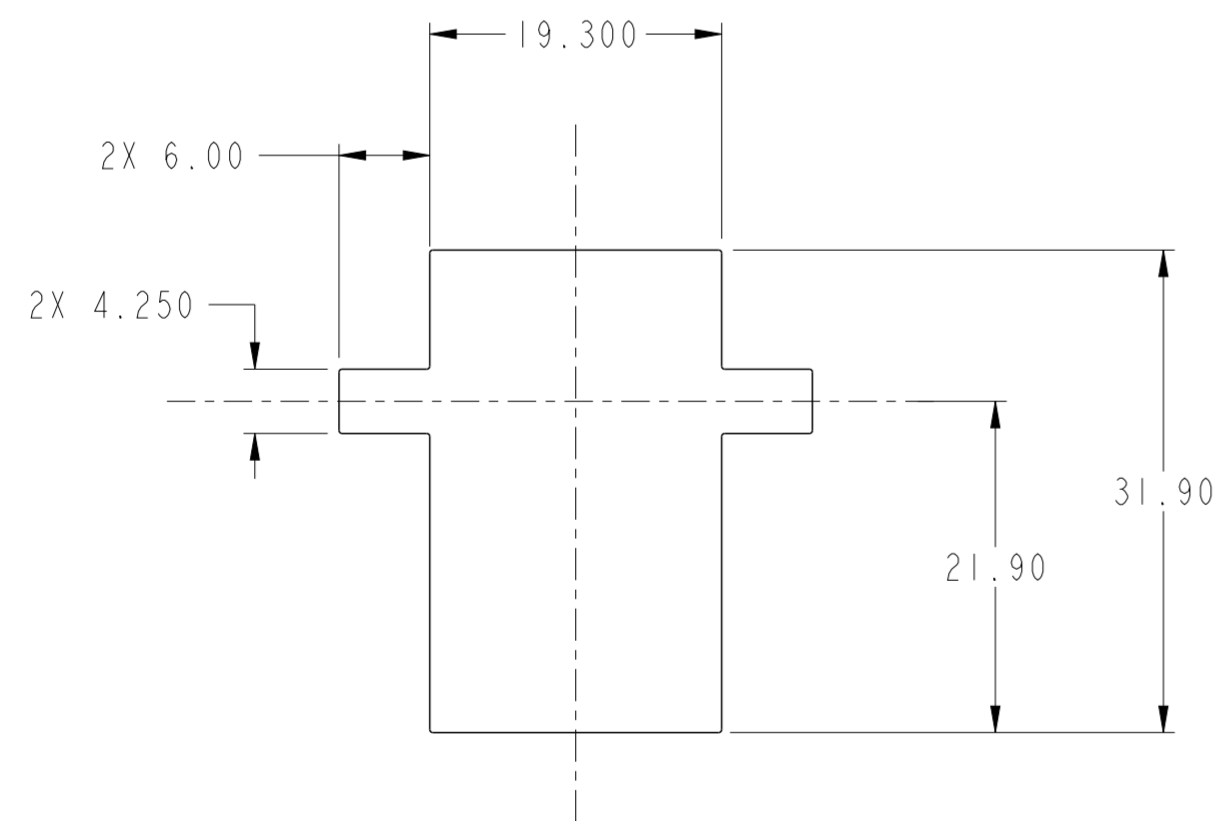
CUSTOMER VERSION

10143222-001LF

A00



A SIDE
BARKLIP CONNECTOR
SCALE 2:1



PANEL CUTOUT DETAILS
PANEL THICKNESS=1.2±0.05mm
SCALE 2:1

NO.	DESCRIPTION	QTY	UNIT
7	ID LABEL	1	EA
6	STL LOCKING BLOCK	1	EA
5	CORE END TERMINAL, KST: E16-12, IVORY	2	EA
4	H.S.TUBE	2	M
3	UL10198 6AWG RED HI-FLEX	1	M
2	UL10198 6AWG BLACK HI-FLEX	1	M
1	BARKLIP CONNECTOR KIT	1	EA

spec ref	-	dr	Chris Gieski	2017/03/16	projection	mm	size	A2	scale	2:1
tolerance std	ASME Y14.5	eng	Chris Gieski	2017/10/21	chr	-	ecn no	-	rel level	Released
surface	linear	0.X	±0.3	Amphenol FCI	product family	BK 10	cat. no.	SEE TABLE	Product - Customer Drw	sheet 1 of 2
		0.XX	±0.10	STL CABLE ASSEMBLY	cat. no.	SEE TABLE	Product - Customer Drw	sheet 1 of 2		
		0.XXX	±0.05	BK 10	cat. no.	SEE TABLE	Product - Customer Drw	sheet 1 of 2		
	angular	0°	±2°							

