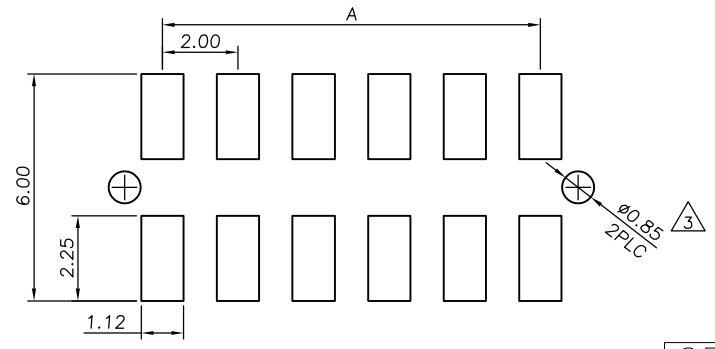
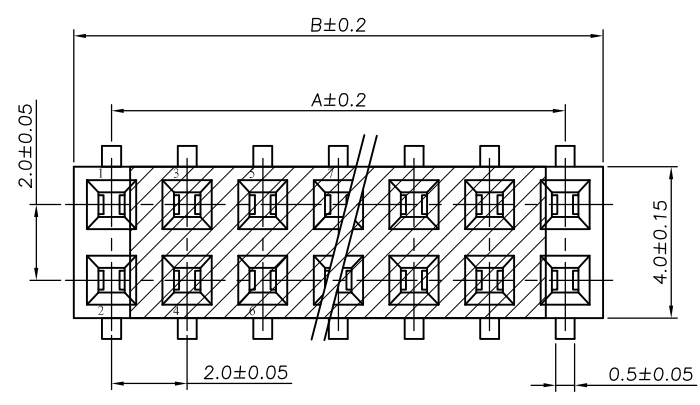
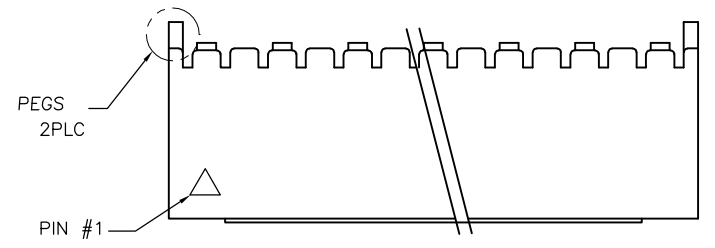
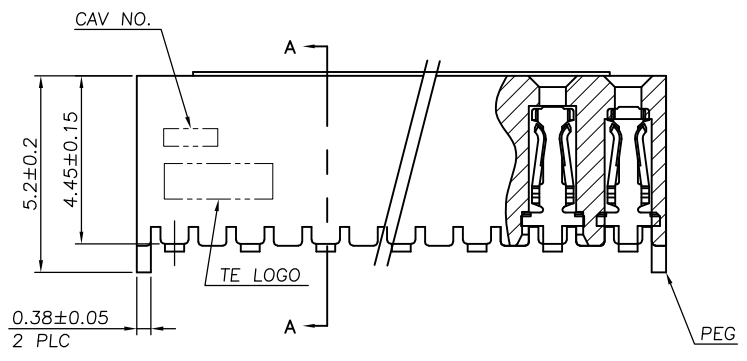
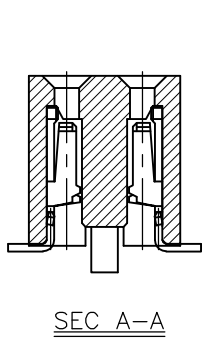


THIS DRAWING IS UNPUBLISHED
 RELEASED FOR PUBLICATION AUG 2006.
 ALL RIGHTS RESERVED.

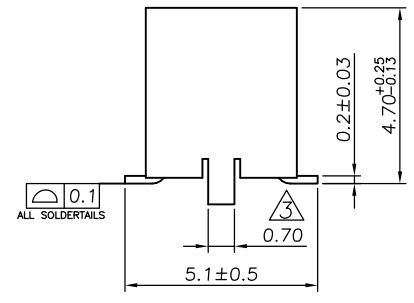
LOC	DIST	REVISIONS					
IR	-	P	LTR	DESCRIPTION	DATE	DWN	APVD
			A4	REVISED PER ECO-12-013073	16JUL12	KH	JO



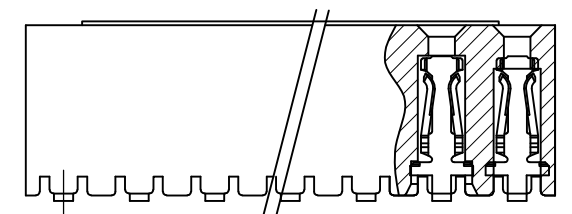
RECOMMENDED PCB LAYOUT



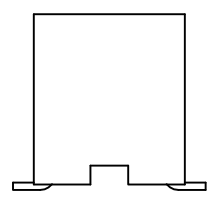
1a



1b



2a



2b

OBSOLETE
 OBSOLETE
 OBSOLETE
 OBSOLETE

OBSOLETE
 OBSOLETE
 OBSOLETE
 OBSOLETE
 OBSOLETE
 OBSOLETE
 OBSOLETE
 OBSOLETE

OBSOLETE
 OBSOLETE
 OBSOLETE
 OBSOLETE
 OBSOLETE
 OBSOLETE

OBSOLETE
 OBSOLETE

OBSOLETE
 OBSOLETE
 OBSOLETE

NO, SEE VIEWS 2a, 2b	38.00	40.00	40	9-1734516-0
	36.00	38.00	38	8-1734516-8
	34.00	36.00	36	8-1734516-6
	32.00	34.00	34	8-1734516-4
	30.00	32.00	32	8-1734516-2
	28.00	30.00	30	8-1734516-0
	26.00	28.00	28	7-1734516-8
	24.00	26.00	26	7-1734516-6
	22.00	24.00	24	7-1734516-4
	20.00	22.00	22	7-1734516-2
YES, SEE VIEWS 1a, 1b	18.00	20.00	20	7-1734516-0
	16.00	18.00	18	6-1734516-8
	14.00	16.00	16	6-1734516-6
	12.00	14.00	14	6-1734516-4
	10.00	12.00	12	6-1734516-2
	8.00	10.00	10	6-1734516-0
	6.00	8.00	8	5-1734516-8
	38.00	40.00	40	4-1734516-0
	36.00	38.00	38	3-1734516-8
	34.00	36.00	36	3-1734516-6
32.00	34.00	34	3-1734516-4	
30.00	32.00	32	3-1734516-2	
28.00	30.00	30	3-1734516-0	
26.00	28.00	28	2-1734516-8	
24.00	26.00	26	2-1734516-6	
22.00	24.00	24	2-1734516-4	
20.00	22.00	22	2-1734516-2	
18.00	20.00	20	2-1734516-0	
16.00	18.00	18	1-1734516-8	
14.00	16.00	16	1-1734516-6	
12.00	14.00	14	1-1734516-4	
10.00	12.00	12	1-1734516-2	
8.00	10.00	10	1-1734516-0	
6.00	8.00	8	0-1734516-8	

ALIGNMENT PEGS	A	B	No. of CONTACTS	PART NUMBER
----------------	---	---	-----------------	-------------

- 1 MATERIAL :
HOUSING : THERMOPLASTIC, UL94V-0, BLACK COLOR.
CONTACT : PHOSPHOR BRASS, THICKNESS=0.20MM.
- 2 FINISH :
30M" MIN. GOLD PLATED ON CONTACT AREA
100M" MIN. MATTE TIN PLATED ON SOLDER TAIL,
50M" MIN. NICKEL UNDERPLATED OVER ALL.
- 3 ONLY APPLIES TO
P/NS. : 0-1734516-8 ~ 4-1734516-0
- 4 REFLOW SOLDER CAPABLE TO 245°C PER TE SPEC 109-201, CONDITION A.
- 5 QUALIFICATION TEST REPORT: 501-57197

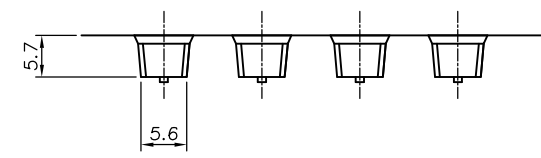
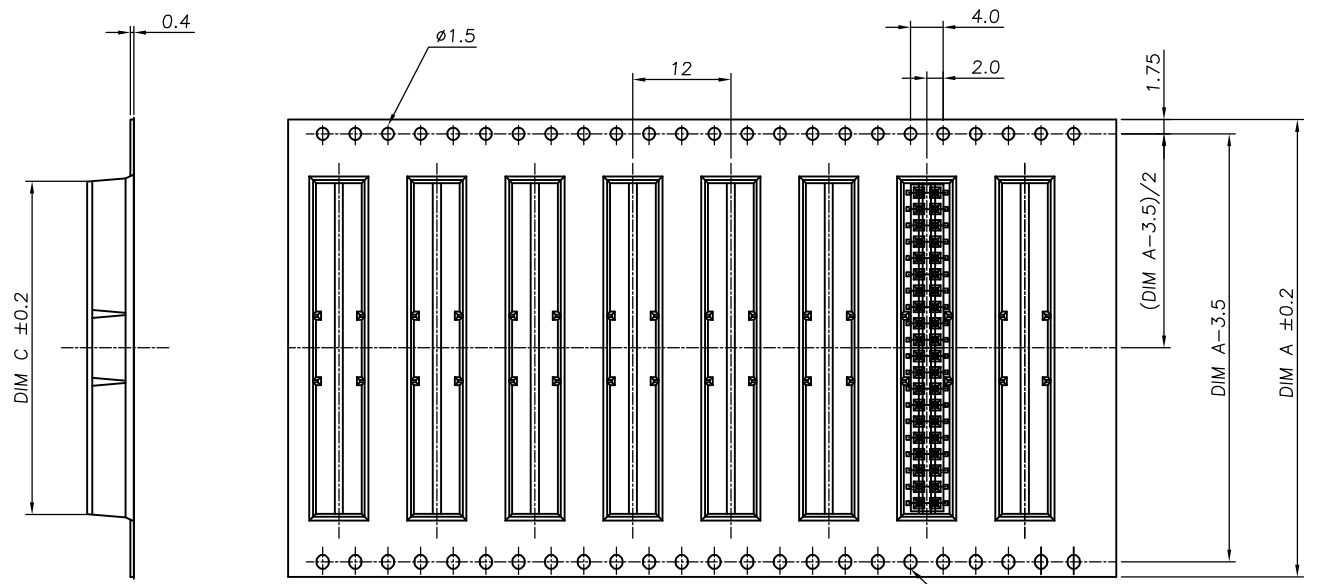
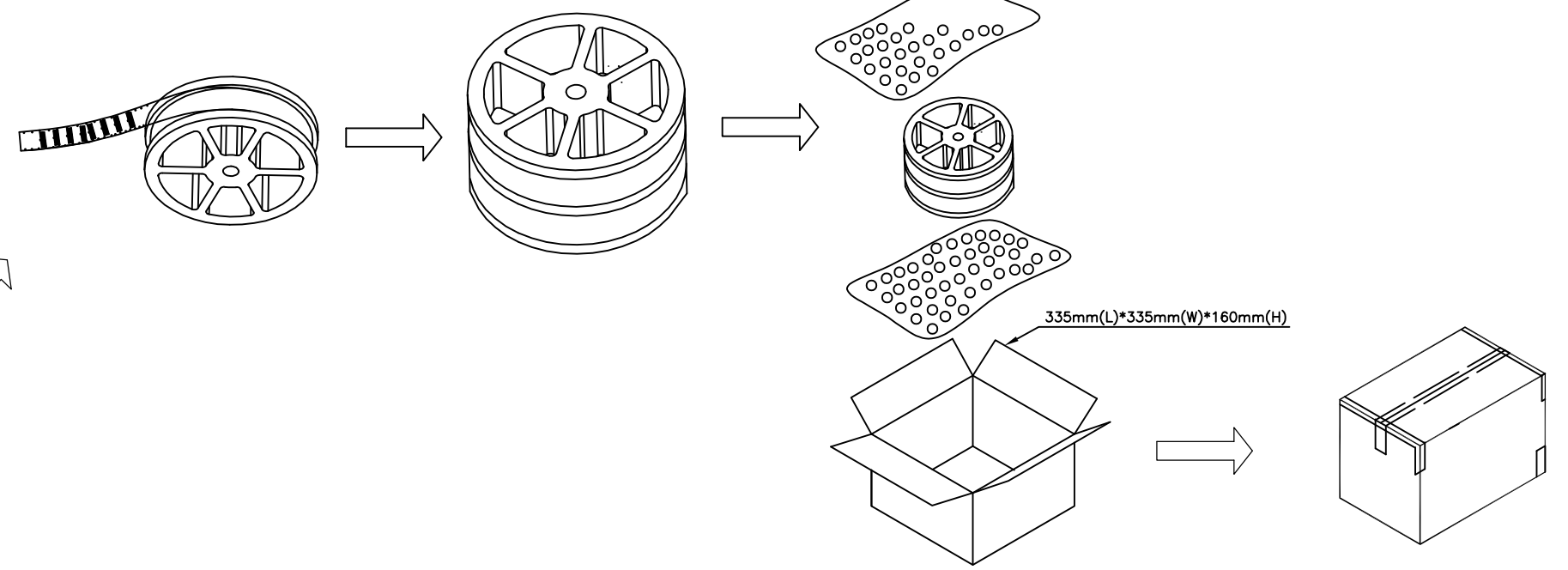
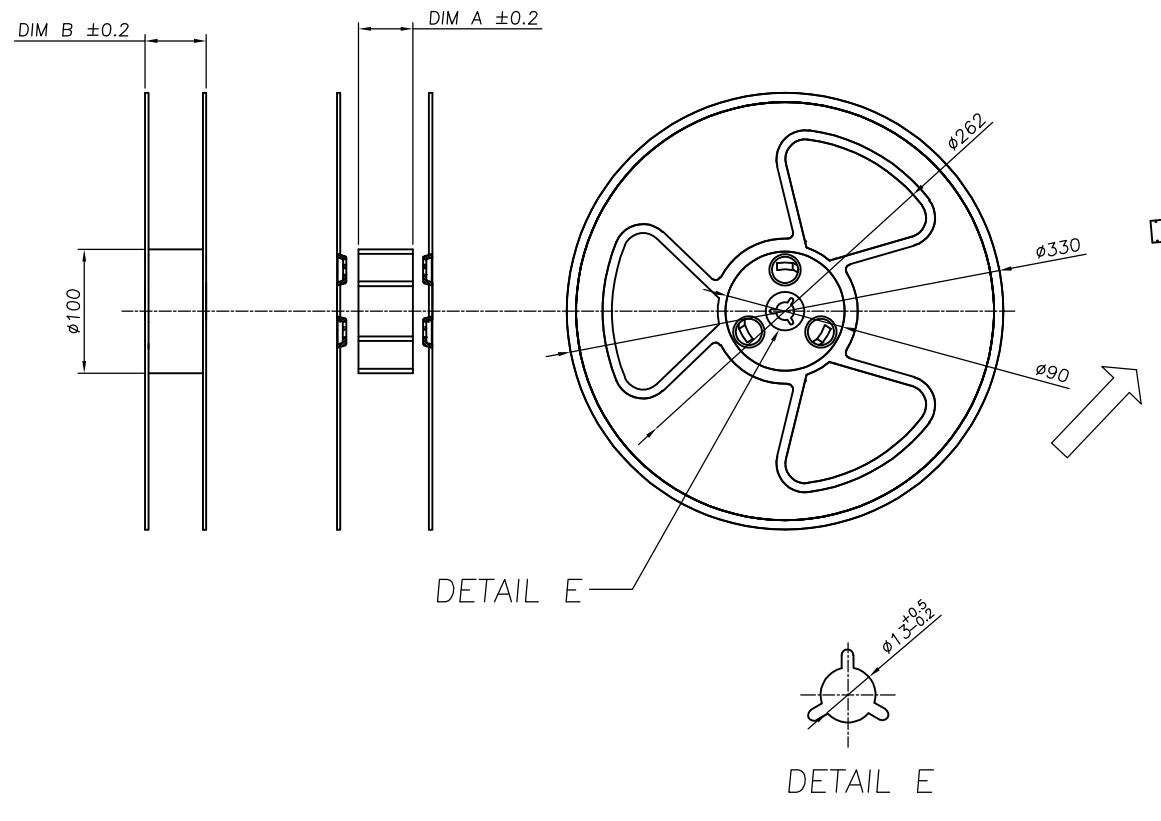
THIS DRAWING IS A CONTROLLED DOCUMENT.

DIMENSIONS: mm	TOLERANCES UNLESS OTHERWISE SPECIFIED: 0 PLC ± - 1 PLC ± 0.20 2 PLC ± 0.10 3 PLC ± 0.05 4 PLC ± - ANGLES ± 3°	DWN 07APR2006 O.HU CHK 07APR2006 S.HOU APVD 07APR2006 W.J.KE PRODUCT SPEC 108-57197 APPLICATION SPEC	TE Connectivity NAME AMPMODU 2.0mm PITCH, REC CONN, SMT, VERTICAL MOUNT			
MATERIAL 1	FINISH 2	WEIGHT -	SIZE A3	CAGE CODE 00779	DRAWING NO C-1734516	RESTRICTED TO -
CUSTOMER DRAWING			SCALE 5:1	SHEET 1 OF 2	REV A4	

THIS DRAWING IS UNPUBLISHED
 © COPYRIGHT 2006 By -
 ALL RIGHTS RESERVED.

RELEASED FOR PUBLICATION
 AUG 2006.

LOC	DIST	REVISIONS			
P	LTR	DESCRIPTION	DATE	DWN	APVD
IR	-	SEE SHEET 1	-	-	-



DIM B	DIM A (REEL WIDTH)	PCS/CARTON	PCS/REEL	No. of Contacts	PART NO.	
OBSOLETE	61	56	1,800	900	40	9-1734516-0
OBSOLETE			1,800	900	38	8-1734516-8
OBSOLETE			1,800	900	36	8-1734516-6
OBSOLETE			1,800	900	34	8-1734516-4
OBSOLETE			1,800	900	32	8-1734516-2
			1,800	900	30	8-1734516-0
OBSOLETE			1,800	900	28	7-1734516-8
OBSOLETE			1,800	900	26	7-1734516-6
OBSOLETE	49	44	2,700	900	24	7-1734516-4
OBSOLETE			2,700	900	22	7-1734516-2
OBSOLETE			2,700	900	20	7-1734516-0
OBSOLETE			2,700	900	18	6-1734516-8
OBSOLETE			2,700	900	16	6-1734516-6
OBSOLETE			2,700	900	14	6-1734516-4
OBSOLETE	29	24	2,700	900	12	6-1734516-2
			2,700	900	10	6-1734516-0
			2,700	900	8	5-1734516-8
			1,800	900	40	4-1734516-0
OBSOLETE	61	56	1,800	900	38	3-1734516-8
OBSOLETE			1,800	900	36	3-1734516-6
OBSOLETE			1,800	900	34	3-1734516-4
OBSOLETE			1,800	900	32	3-1734516-2
OBSOLETE			1,800	900	30	3-1734516-0
OBSOLETE			1,800	900	28	2-1734516-8
			1,800	900	26	2-1734516-6
OBSOLETE	49	44	2,700	900	24	2-1734516-4
OBSOLETE			2,700	900	22	2-1734516-2
OBSOLETE			2,700	900	20	2-1734516-0
OBSOLETE			2,700	900	18	1-1734516-8
OBSOLETE			2,700	900	16	1-1734516-6
OBSOLETE	29	24	2,700	900	14	1-1734516-4
OBSOLETE			2,700	900	12	1-1734516-2
OBSOLETE			2,700	900	10	1-1734516-0
			2,700	900	8	0-1734516-8

THIS DRAWING IS A CONTROLLED DOCUMENT.

DIMENSIONS: mm	TOLERANCES UNLESS OTHERWISE SPECIFIED: 0 PLC ± - 1 PLC ± 0.20 2 PLC ± 0.10 3 PLC ± 0.05 4 PLC ± - ANGLES ± 3'	DWN O.HU 07APR2006 CHK S.HOU 07APR2006 APVD W.J.KE 07APR2006 PRODUCT SPEC 108-57197 APPLICATION SPEC	TE Connectivity AMPMODU 2.0mm PITCH, REC CONN, SMT, VERTICAL MOUNT			
MATERIAL SEE SHEET 1	FINISH SEE SHEET 1	WEIGHT -	SIZE A3	CAGE CODE 00779	DRAWING NO C-1734516	RESTRICTED TO -
CUSTOMER DRAWING			SCALE 5:1	SHEET 2 OF 2	REV A4	