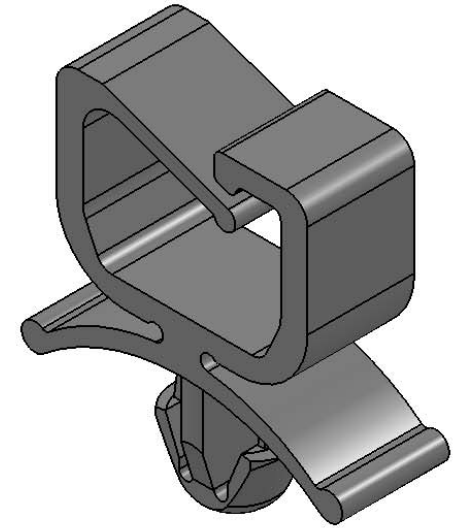
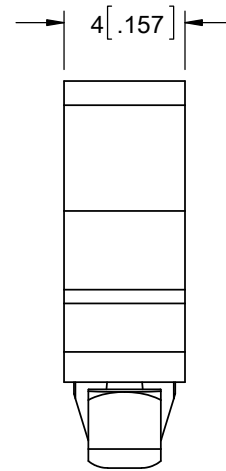
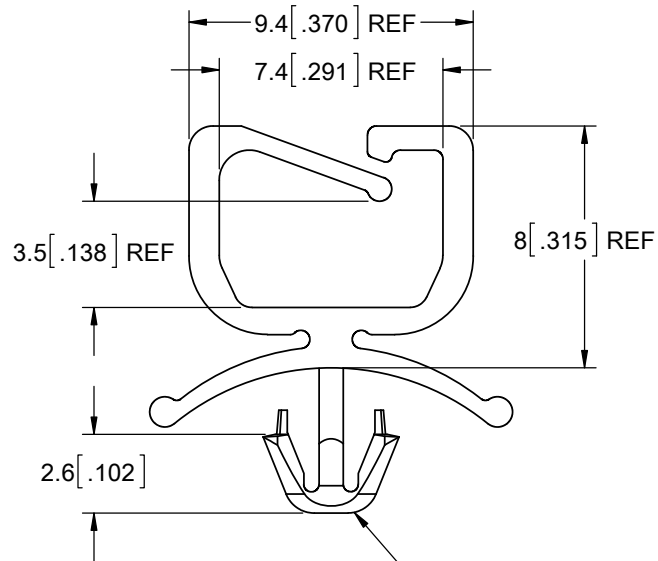


| PART NUMBER | MATERIAL |
|-------------|--|
| MWSEA4-1-01 | NYLON 6/6 UL94 V-2 (RMS-01), COLOR NATURAL |
| MWSEA4-1-19 | NYLON 6/6 UL94 V-0 (RMS-19), COLOR NATURAL |



TO SNAP-LOCK IN A $\varnothing 3.5 \pm 0.1$ [$\varnothing .138 \pm .004$] HOLE,
IN A 0.6-1.6 [.024-.063] THICK PANEL

| | | | | | | | | | | | | | | | | | | |
|------|--|--|-------------------------|--|--|-------------|--|---|--|--|------------------|--|--------------------|--|-----------|--|---------------|--|
| A | | | RELEASED FOR PRODUCTION | | | SK 08/03/11 | | TITLE: MICRO WIRE SADDLE | | | | | UNITS= mm [IN] | | | | | |
| REV. | | | DESCRIPTION | | | ENGR. DATE | | CREATED USING SOLIDWORKS TOLERANCES UNLESS NOTED X<10=±0.1 10<X<30=±0.3 X>30=±0.5 ANG.=±1° | | | FILE #: MWSEA4-1 | | DWN: SK | | APP: SK | | FINAL | |
| | | | | | | | | SHEET: 1 OF 1 | | | SHEET SIZE: A | | DT: 05/24/11 | | CHKD: DZ | | PART # | |
| | | | | | | | | RE: RICHCO, INC. | | | RICHCO, INC. | | WWW.RICHCO-INC.COM | | SEE TABLE | | PRINT TYPE CA | |