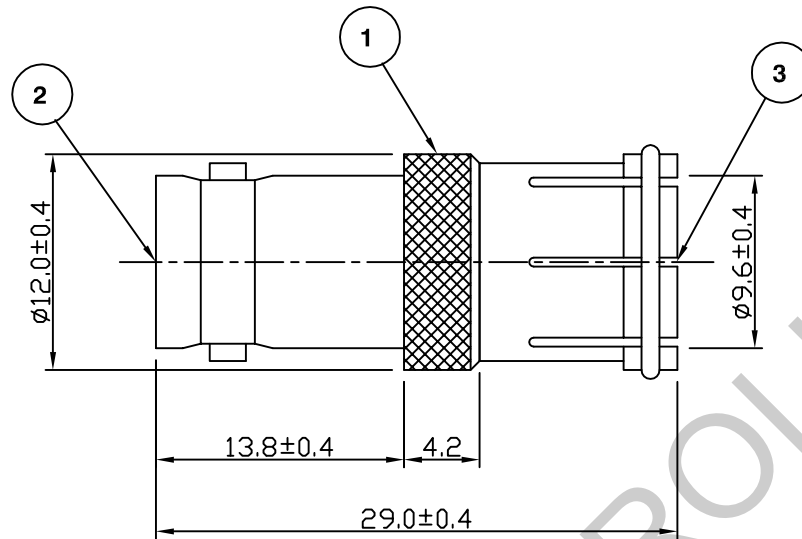


RoHS COMPLIANT



**Electrical Characteristics**

Nominal Impedance: Non constant  
 Frequency Range: DC to 1 GHz  
 Operating Voltage (rms): 500 V maximum at sea level  
 Insulation Resistance: 5000 megohms minimum

**Mechanical Characteristics**

Mating Cycles: 500 cycles minimum

**Environmental Characteristics**

Temperature Range: -55 °C to +85 °C

	PART	DESCRIPTION
1	Body	Brass, nickel plated
2	Dielectric	POM
3	Contact	Brass, nickel plated

CAD Issue	SN	2	24 Jan 02
First Issue	PDC	1	05 Apr 00
DESCRIPTION OF REVISION	APPVD	ISS	DATE



Cinch Connectivity Solutions  
 7-13 Russell Way,  
 Widford Industrial Estate,  
 Chelmsford, Essex,  
 CM1 3AA, UK.  
 Tel: +44 (0) 1245 359515  
 Fax: +44 (0) 1245 358938

SCALE: Not To Scale

DIMENSIONS: mm

TOLERANCES:  
 ± 0.2mm unless  
 otherwise stated

DRAWN BY:

S Nash

CHECKED BY:

P Couzens

APPROVED BY:

P Couzens

DATE:

24 Jan 03

TITLE:

Euro Jack to BNC Jack

PART NUMBER:

**VA222**

PAGE: 1 of 1