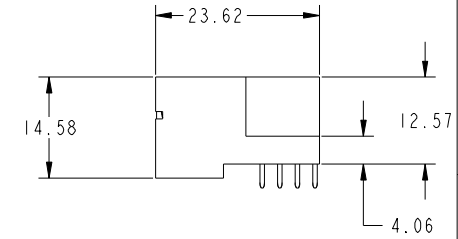
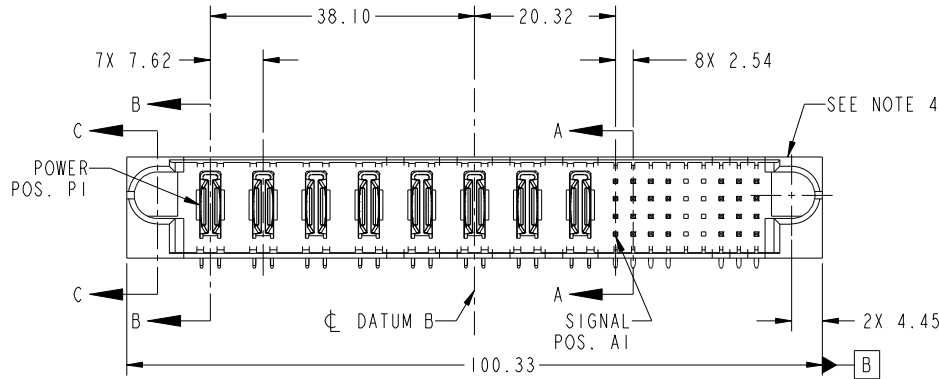


Tous droits strictement réservés. Reproduction ou communication a des tiers interdite sous quelque forme que ce soit sans autorisation écrite du propriétaire. Propriété de c FCI. Droits de reproduction FCI.

All rights strictly reserved. Reproduction or issue to third parties in any form whatever is not permitted without written authority from the proprietor. Property of FCI. Copyright FCI.



PRODUCT NO.	ROWS	POWER								SIGNAL												
		E1	P1	P2	P3	P4	P5	P6	P7	P8	1	2	3	4	5	6	7	8	9	E2		
51939-458... NOTE 3	D C B A		PA	PA	PA	PA	PA	PA	PA	PA	UUUU	XX	UUUU	UUUU	XX	UUUU	UUUU	XX	UUUU	UUUU		
		TTTT	XX	TTTT	TTTT	XX	TTTT	TTTT	XX	TTTT	TTTT	XX	TTTT	TTTT	XX	TTTT	TTTT	XX	TTTT	TTTT	XX	TTTT
		RRRR	XX	RRRR	RRRR	XX	RRRR	RRRR	XX	RRRR	RRRR	XX	RRRR	RRRR	XX	RRRR	RRRR	XX	RRRR	RRRR	XX	RRRR



CODE	DIM "M" MATING LENGTH	CONTACT TYPE
U	[6.86]	SIGNAL
T	[6.86]	SIGNAL
S	[6.86]	SIGNAL
R	[6.86]	SIGNAL
PA	[N/A]	POWER
X	OMITTED	

mat'l code				SEE NOTE		tolerances unless otherwise specified		CUSTOMER	
ltr	ecn no.	dr	date	linear	0.X ±0.5	projection		COPY	
A	DG09-0251	JW	08/05/09	angles	0.XX ±0.25	MIM		title	
					0.XXX ±0.1	1:1		8ACP + 36S	
				dr	0° +2°	scale		RIGHT ANGLE SOLDER HEADER	
				enr		A		product family	
				chr	JULIA WANG 07/23/09	A		PwrBlade	
				appd	JULIA WANG 07/23/09	A		code	
					PM ZHENG 07/23/09	A		213	
					JOSEPH HSIA 07/23/09	A		sheet	
sheet index	revision sheet	A	A	A	A	A		1 of 4	
		1	2	3	4	A			

CUSTOMER		FCI	
COPY		www.fciconnect.com	
projection		title	
MIM		8ACP + 36S	
scale		RIGHT ANGLE SOLDER HEADER	
1:1		product family	
A		PwrBlade	
A		code	
A		213	
A		sheet	
A		1 of 4	

sheet index	revision sheet	A	A	A	A
		1	2	3	4

cage code 22526

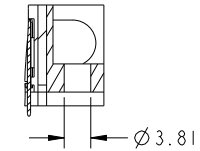
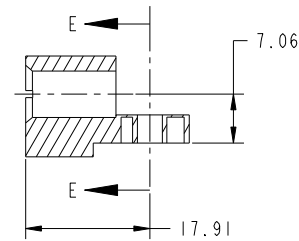
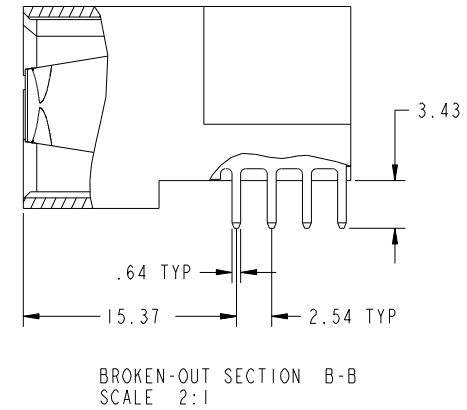
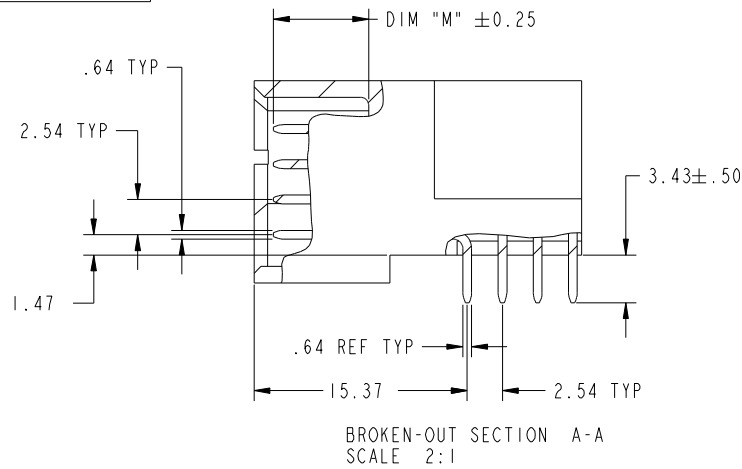
Pro/E

Tous droits strictement reserves. Reproduction ou communication a des tiers interdite sous quelque forme que ce soit sans autorisation écrite du propriétaire. Propriete de c FCI. Droits de reproduction FCI.

All rights strictly reserved. Reproduction or issue to third parties in any form whatever is not permitted without written authority from the proprietor. Property of FCI. Copyright FCI.



PRODUCT NUMBER
51939-458-
NOTE: 3



mat'l code				SEE NOTE		tolerances unless otherwise specified		CUSTOMER		FCI	
ltr	ecr no.	dr	date	linear	0.X ±0.5	COPY		www.fciconnect.com		title	
A					0.XX ±0.25	projection		8ACP + 36S		RIGHT ANGLE SOLDER HEADER	
				angles	0.XXX ±0.1	MIM		product family		PwrBlade	code
				dr	0° ±2°	scale		size		dwg no	213
				enr	JULIA WANG 07/23/09	1:1		A		51939-458	sheet
				chr	JULIA WANG 07/23/09						2 of 4
				appd	PM ZHENG 07/23/09						
					JOSEPH HSIA 07/23/09						
sheet index		revision sheet									

cage code 22526

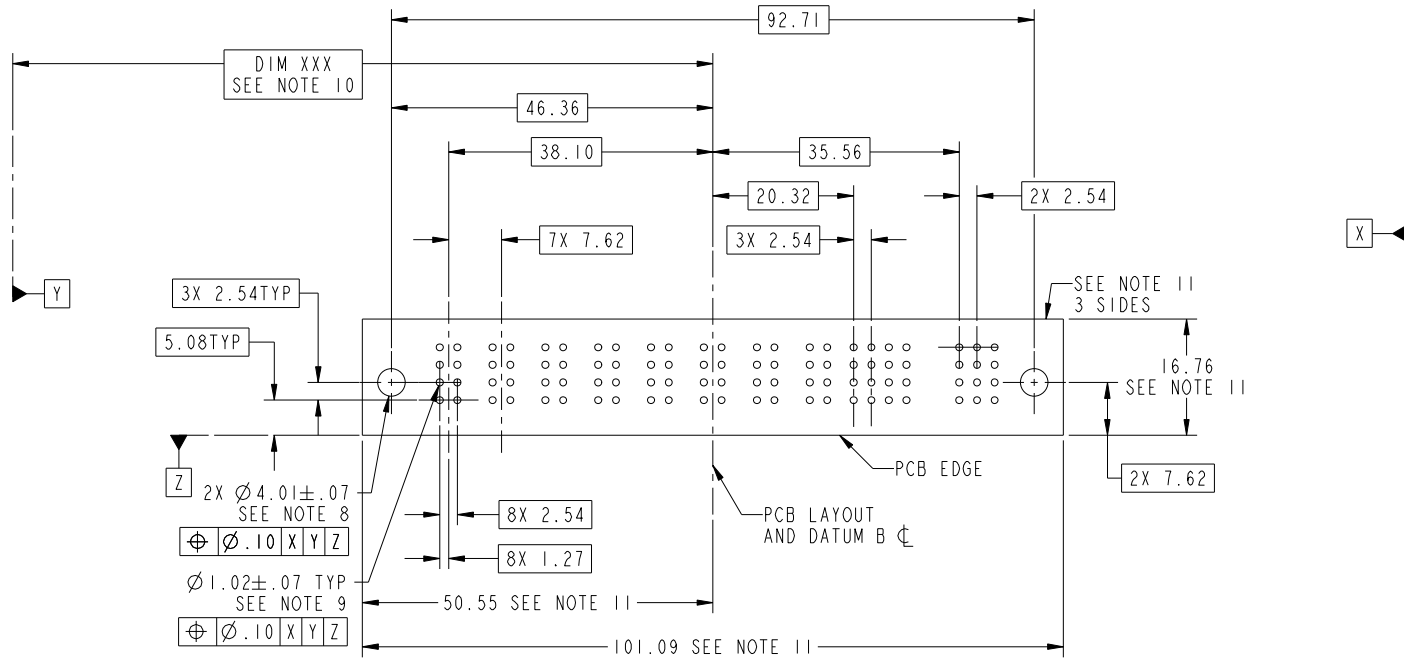
Pro/E

Tous droits strictement reserves. Reproduction ou communication a des tiers interdite sous quelque forme que ce soit sans autorisation écrite du propriétaire. Propriete de c FCI. Droits de reproduction FCI.



All rights strictly reserved. Reproduction or issue to third parties in any form whatever is not permitted without written authority from the proprietor. Property of FCI. Copyright FCI.

PRODUCT NUMBER
51939-458_
NOTE: 3



RECOMMENDED PCB LAYOUT

mat'l code				SEE NOTE		tolerances unless otherwise specified		CUSTOMER		FCI	
ltr	ecn no.	dr	date	linear	0.X ± 0.5	COPY		www.fciconnect.com		title	
A				linear	0.XX ± 0.25	projection		8ACP + 36S		RIGHT ANGLE SOLDER HEADER	
				angles	0.XXX ± 0.1	MIM		product family		PwrBlade	code
				dr	0° ± 2°	scale		size	dwg no	213	sheet
				enr	JULIA WANG 07/23/09	1:1		A	51939-458	3 of 4	
				chr	JULIA WANG 07/23/09						
				appd	PM ZHENG 07/23/09						
					JOSEPH HSIA 07/23/09						
sheet index	revision sheet										

cage code 22526

Pro/E

Tous droits strictement reserves. Reproduction ou communication a des tiers interdite sous quelque forme que ce soit sans autorisation écrite du propriétaire. Propriete de c FCI. Droits de reproduction FCI.



All rights strictly reserved. Reproduction or issue to third parties in any form whatever is not permitted without written authority from the proprietor. Property of FCI. Copyright FCI.

PRODUCT NUMBER
51939-458_
NOTE: 3

NOTES:

1. DIMENSIONS AND TOLERANCES ARE IN ACCORDANCE WITH ASME Y14.5M, 1994 UNLESS OTHERWISE SPECIFIED.

CONNECTOR NOTES:

- 2. HOUSING MATERIAL: UL 94 V-0 GLASS FILLED HIGH-TEMP THERMOPLASTIC
POWER CONTACT MATERIAL: COPPER ALLOY
SIGNAL PIN MATERIAL: COPPER ALLOY
- 3. PLATING:
SEE ITEM 1 & 2 IN PRINT 10064183 FOR PLATING SPEC. OF 51939-458; 51939-458LF RESPECTIVELY.
- 4. MANUFACTURER'S NAME, P/N, AND DATE CODE TO APPEAR ON THIS SURFACE.
- 5. PRODUCT SPECIFICATION GS-12-149.
APPLICATION SPECIFICATION BUS-20-067.
- 6. PACKAGED IN TRAYS.

PCB NOTES:

- 7. ALL HOLE DIAMETERS ARE FINISHED HOLE SIZE.
- 8. MOUNTING HOLES, WHERE APPLICABLE, ARE UNPLATED.
- 9. $\varnothing 1.151 \pm 0.025$ DRILLED HOLES PLATED WITH 0.008 MIN SnPb OR Sn OVER 0.03 TO 0.08 Cu PLATING TO ACHIEVE $\varnothing 1.02 \pm .07$ HOLE.
- 10. "DIM XXX" TO BE DETERMINED BY THE CUSTOMER.
- 11. CONNECTOR KEEP-OUT ZONE.

mat'l code		SEE NOTE		tolerances unless otherwise specified		CUSTOMER		FCI		www.fciconnect.com	
ltr	ecn no.	dr	date	linear	0.X ± 0.5	COPY				title	
A				linear	0.XX ± 0.25	projection				8ACP + 36S	
				angles	0.XXX ± 0.1					RIGHT ANGLE SOLDER HEADER	
				dr	0° ± 2°	MIM		product family		PwrBlade	code
				enr	JULIA WANG 07/23/09	scale		size		dwg no	213
				chr	JULIA WANG 07/23/09	1:1		A		51939-458	sheet
				appd	PM ZHENG 07/23/09					4 of 4	
					JOSEPH HSIA 07/23/09						
sheet index	revision sheet										

cage code 22526

Pro/E