



SPLICE

TE Internal #: 160644-3

Splices, 20 – 15 AWG Wire Size, .5 – 1.5 mm² Wire Size, Splice Capacity 1, 1000 – 3260 CMA Wire Size, Brass, 0 Serration, SPLICE

[View on TE.com >](#)

Terminals & Splices > Splices



Wire Size: .5 – 1.5 mm²

Sealable: No

Splice Capacity: 1

Compatible Insulation Diameter Range: [.125 in]

Features

Product Type Features

Sealable	No
Compatible With Discrete Wire Type	Solid, Stranded
Wire Insulation Support Retention Type	Insulation Support

Configuration Features

Strip Orientation	End Feed
Splice Capacity	1
Number of Serrations	0
Compatible With Wire & Cable Type	Discrete Wire

Electrical Characteristics

Operating Voltage	250 V
-------------------	-------

Body Features

Product Weight	.17 g
----------------	-------

Contact Features

Terminal Plating Material	Tin
Contact Base Material	Brass



Barrel Type	Open
-------------	------

Mechanical Attachment

Wire Insulation Support	With
-------------------------	------

Dimensions

Wire Size	1000 – 3260 CMA
-----------	-----------------

	.125 in
--	---------

Terminal Material Thickness	.41 mm[.016 in]
-----------------------------	-----------------

Product Length	5.5 mm[.216 in]
----------------	-----------------

Usage Conditions

Insulation Option	Uninsulated
-------------------	-------------

Operating Temperature Range	-40 – 110 °C[-40 – 230 °F]
-----------------------------	----------------------------

Operation/Application

Compatible With Wire Base Material	Copper
------------------------------------	--------

Industry Standards

Government Qualified Splice	No
-----------------------------	----

Packaging Features

Packaging Quantity	15000
--------------------	-------

Packaging Method	Strip
------------------	-------

Other

Terminals & Splices Comment	According to DIN 46228, Part 2.
-----------------------------	---------------------------------

Product Compliance

[For compliance documentation, visit the product page on TE.com>](#)

EU RoHS Directive 2011/65/EU	Compliant
------------------------------	-----------

EU ELV Directive 2000/53/EC	Compliant
-----------------------------	-----------

China RoHS 2 Directive MIIT Order No 32, 2016	No Restricted Materials Above Threshold
---	---

EU REACH Regulation (EC) No. 1907/2006	Current ECHA Candidate List: JUNE 2023 (235) Candidate List Declared Against: JUNE 2023 (235) Does not contain REACH SVHC
--	---

Halogen Content	Low Halogen - Br, Cl, F, I < 900 ppm per homogenous material. Also BFR/CFR/PVC Free
-----------------	---

Solder Process Capability

Not applicable for solder process capability

Product Compliance Disclaimer

This information is provided based on reasonable inquiry of our suppliers and represents our current actual knowledge based on the information they provided. This information is subject to change. The part numbers that TE has identified as EU RoHS compliant have a maximum concentration of 0.1% by weight in homogenous materials for lead, hexavalent chromium, mercury, PBB, PBDE, DBP, BBP, DEHP, DIBP, and 0.01% for cadmium, or qualify for an exemption to these limits as defined in the Annexes of Directive 2011/65/EU (RoHS2). Finished electrical and electronic equipment products will be CE marked as required by Directive 2011/65/EU. Components may not be CE marked. Additionally, the part numbers that TE has identified as EU ELV compliant have a maximum concentration of 0.1% by weight in homogenous materials for lead, hexavalent chromium, and mercury, and 0.01% for cadmium, or qualify for an exemption to these limits as defined in the Annexes of Directive 2000/53/EC (ELV). Regarding the REACH Regulation, the information TE provides on SVHC in articles for this part number is based on the latest European Chemicals Agency (ECHA) 'Guidance on requirements for substances in articles' posted at this URL: <https://echa.europa.eu/guidance-documents/guidance-on-reach>

Compatible Parts



TE Part # 42627-4
SPLICE 3232-8282 .0198 NPST



TE Part # 62759-2
SPLICE 400-1300 .016 TPBR



TE Part # 41459
SPLICE 800-2600 CMA BR



TE Part # 41276
IDENTIFICATION BAND AL



TE Part # 41313
SPLICE 800-2500 CMA TPBR



TE Part # 41282
ID BAND .03 BR



TE Part # 41996
SPLICE 7400-10000 CMA TPBR



TE Part # 140792-2
SPLICE 5000-12000 0.63MM TPBR



TE Part # 2-4150109-1
OCEAN-2.0-APPLICATOR-E-100F140F



TE Part # 2-4150109-2
OCEAN-2.0-APPLICATOR-E-100F140F



TE Part # 40862
SPLICE 1400-3600 .016 TPBR



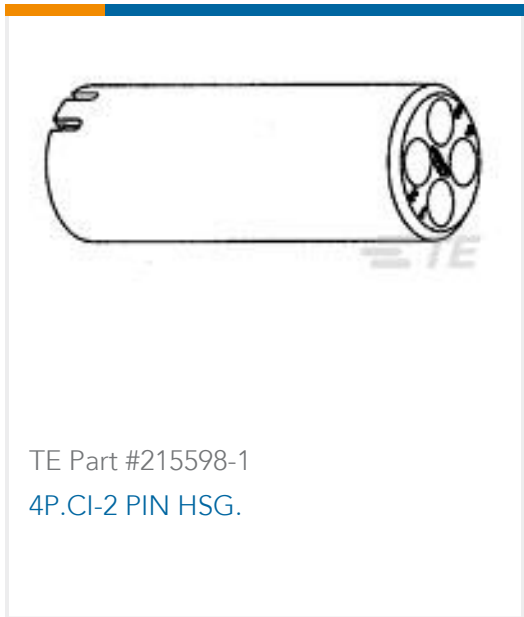
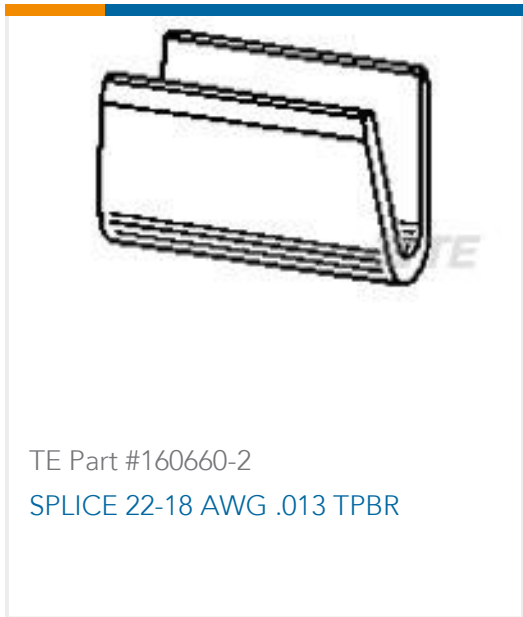
TE Part # 4150109-1
OCEAN-2.0-APPLICATOR-E-100F140F

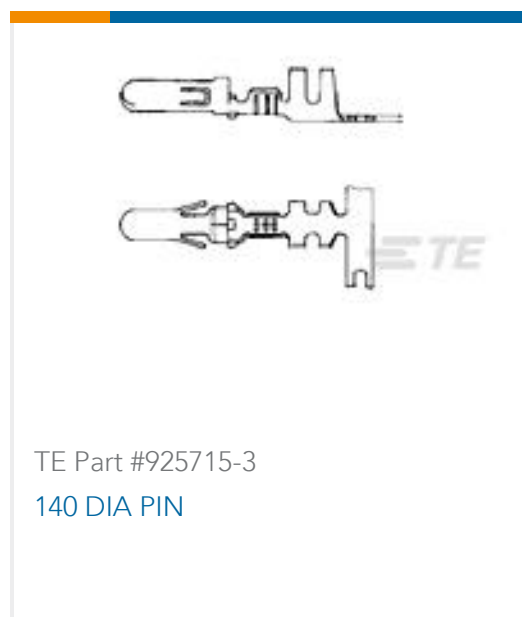


Also in the Series | **SPLICE**



Customers Also Bought





Documents

Product Drawings

[SPLICE 20-15 AWG .016 TPBR](#)

English

CAD Files

[3D PDF](#)

3D

Customer View Model

[ENG_CVM_CVM_160644-3_M_c-160644-3-m.2d_dxf.zip](#)

English

Customer View Model

[ENG_CVM_CVM_160644-3_M_c-160644-3-m.3d_igs.zip](#)

English

Customer View Model

[ENG_CVM_CVM_160644-3_M_c-160644-3-m.3d_stp.zip](#)

English

By downloading the CAD file I accept and agree to the [Terms and Conditions](#) of use.

Product Specifications

[Product Specification](#)

English