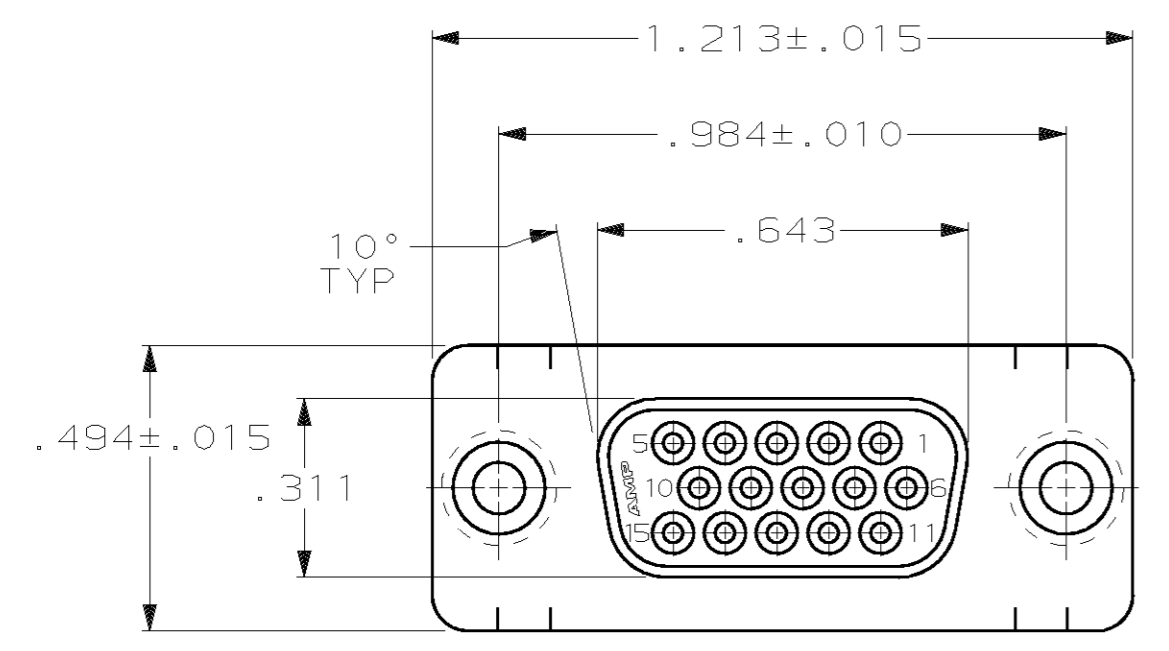
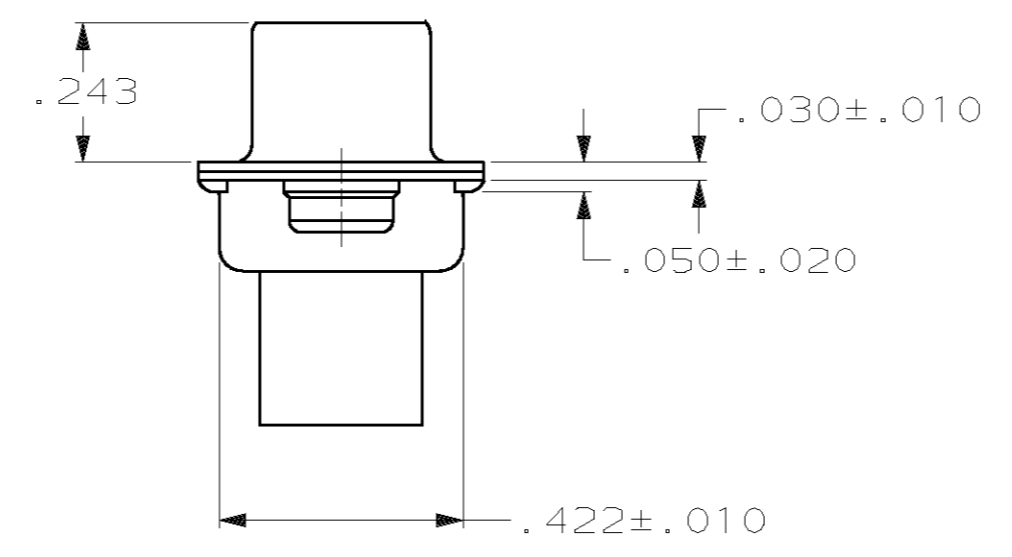
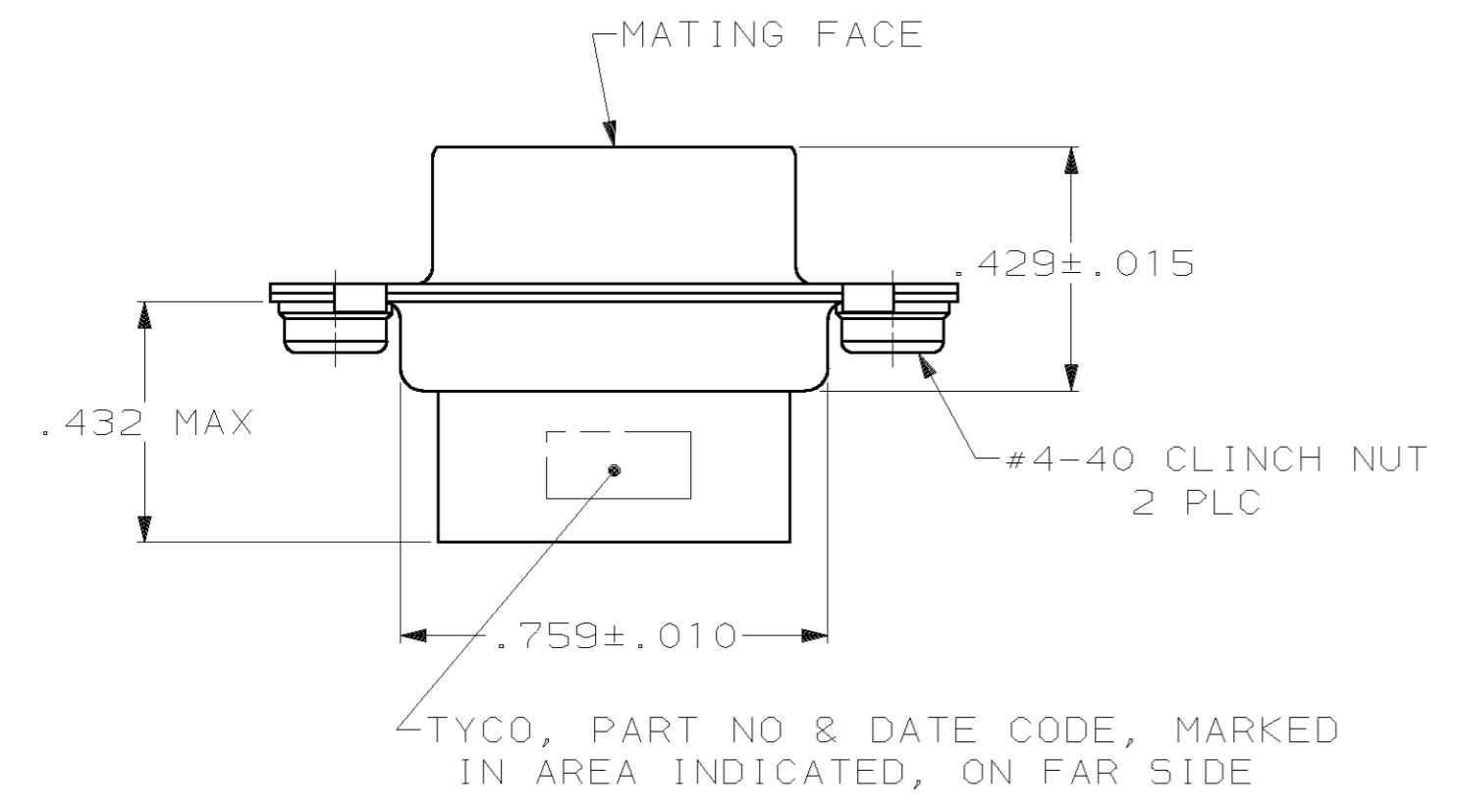


THIS DRAWING IS UNPUBLISHED. RELEASED FOR PUBLICATION .19  
 (C) COPYRIGHT 19 BY AMP INCORPORATED. ALL RIGHTS RESERVED.

LOC	DIST	REVISIONS					
GP	00	P	LTR	DESCRIPTION	DATE	DWN	APVD
		0		RELEASED PER EC 0513-0209-03	02JAN04	LB	SB



1. CONNECTOR ACCEPTS 22 DF SOCKET CONTACTS, RETENTION TINES ARE AN INTEGRAL PART OF INSERT.
- ② FLAME RETARDANT 94V-0 RATED GLASS FILLED NYLON, COLOR: BLACK.
- ③ CARBON STEEL.
- ④ .000200 MIN. TIN PLATE OVER .000100 MIN. COPPER UNDERPLATE.
- ⑤ CLEAR CHROMATE OVER ZINC PLATE.



1658690-1  
PART NUMBER

THIS DRAWING IS A CONTROLLED DOCUMENT.		DWN L. BAUM 02JAN04	AMP Incorporated Harrisburg, PA 17105-3608													
DIMENSIONS: INCH		CHK S. BOLASH 02JAN04														
TOLERANCES UNLESS OTHERWISE SPECIFIED:		APVD M. WALMSLEY 02JAN04														
<table border="0"> <tr><td>0 PLC</td><td>±</td></tr> <tr><td>1 PLC</td><td>±</td></tr> <tr><td>2 PLC</td><td>±</td></tr> <tr><td>3 PLC</td><td>±.005</td></tr> <tr><td>4 PLC</td><td>±</td></tr> <tr><td>ANGLES</td><td>±2°</td></tr> </table>		0 PLC	±	1 PLC	±	2 PLC	±	3 PLC	±.005	4 PLC	±	ANGLES	±2°	NAME	RECEPTACLE ASSEMBLY, SIZE 1, 15 POSN, CLINCH NUTS, HDP-22, AMPLIMITE®	
0 PLC	±															
1 PLC	±															
2 PLC	±															
3 PLC	±.005															
4 PLC	±															
ANGLES	±2°															
MATERIAL		PRODUCT SPEC	SIZE	RESTRICTED TO												
MOLDED PARTS: ④		108-1268	CAGE CODE													
SHELLS & CLINCH NUTS: ④		APPLICATION SPEC	DRAWING NO													
FINISH		114-10001	SCALE													
SHELLS: ④		WEIGHT	3:1													
CLINCH NUTS: ④		-	SHEET													
		CUSTOMER DRAWING	1													
			OF													
			1													
			REV													
			0													