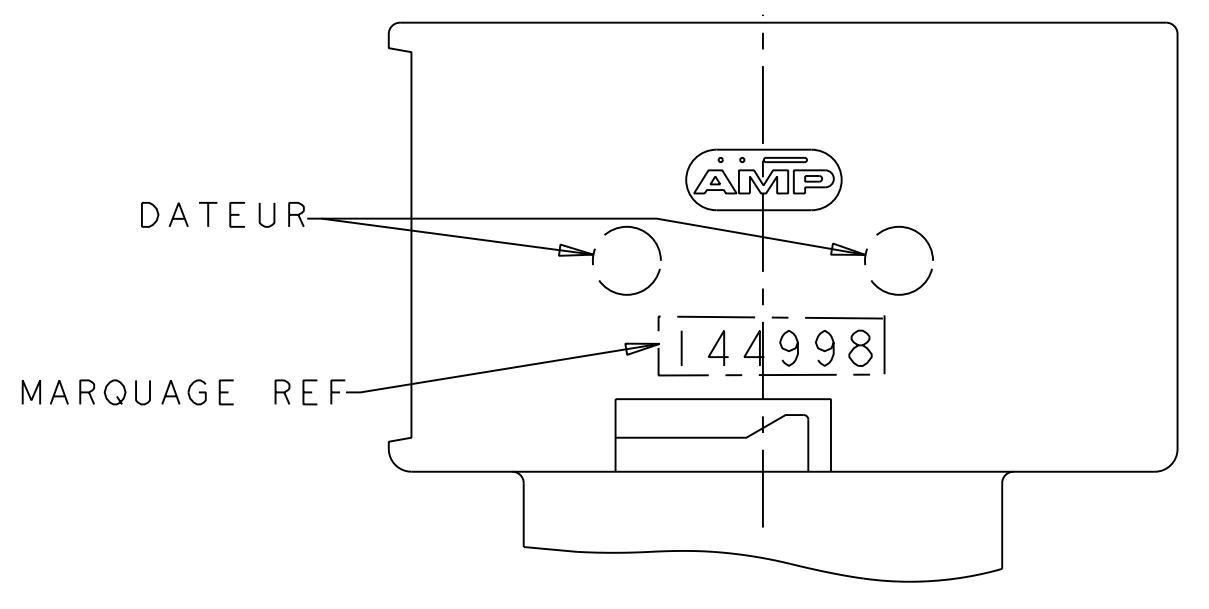
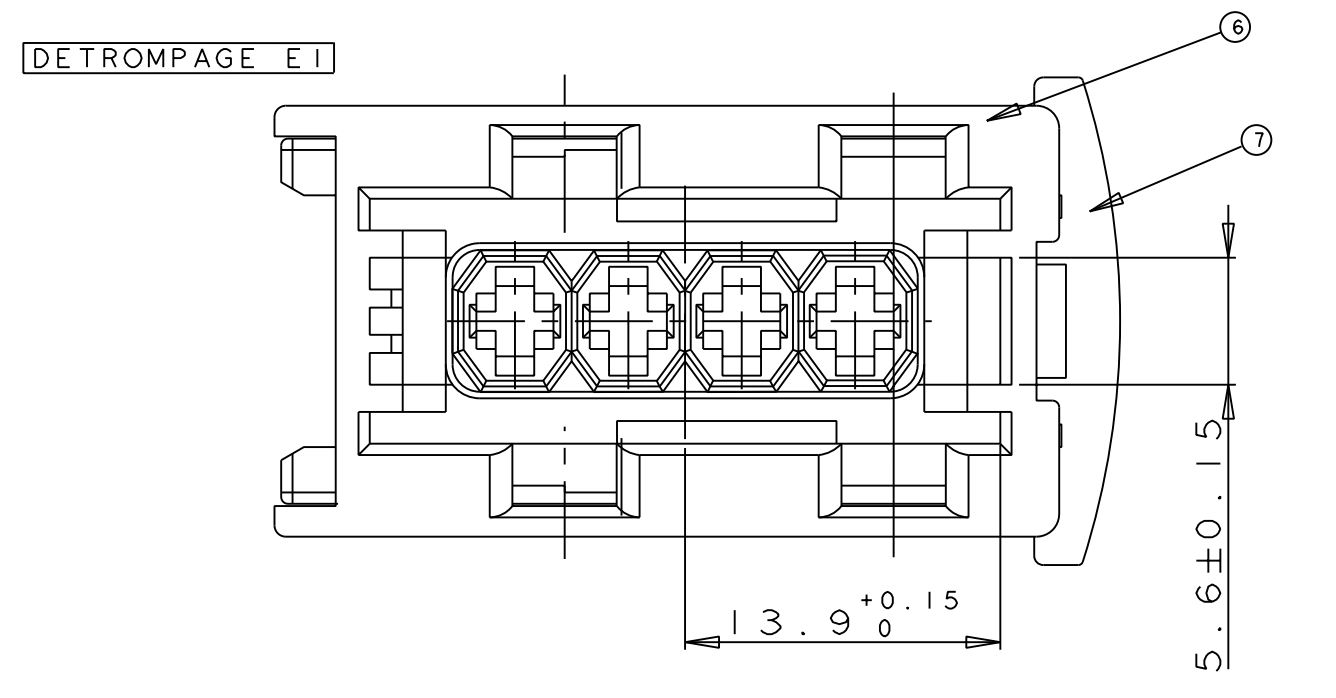
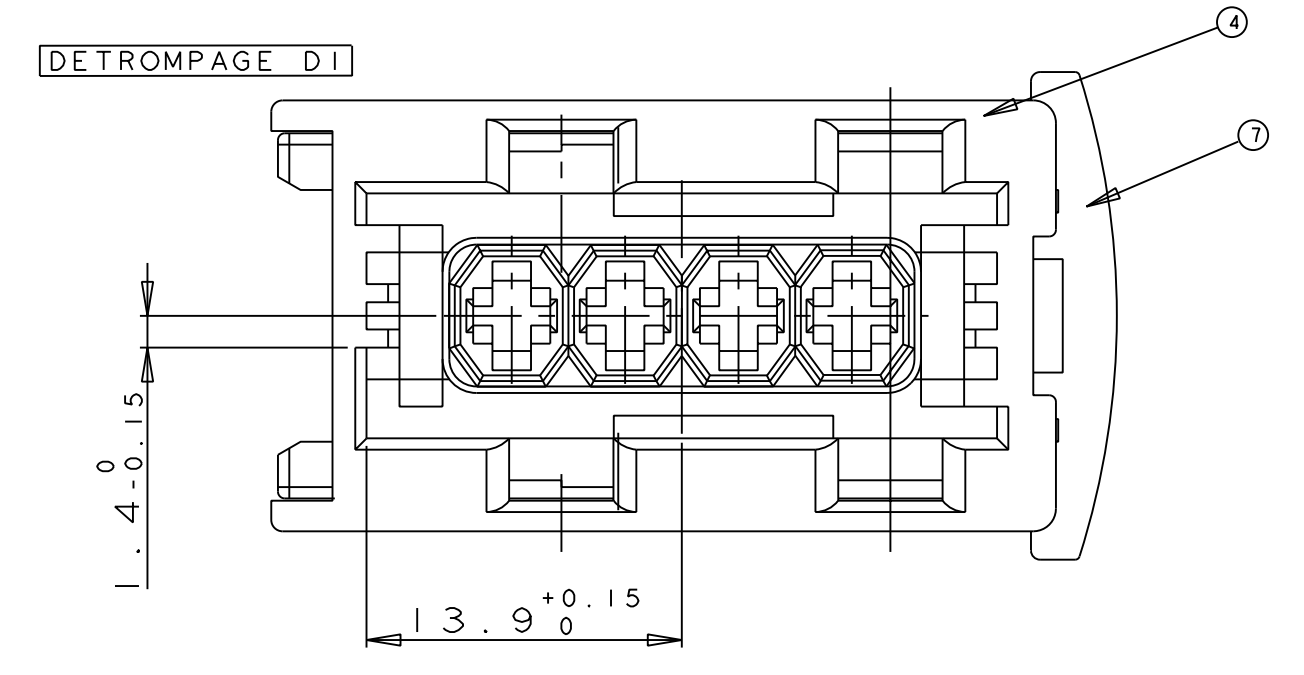
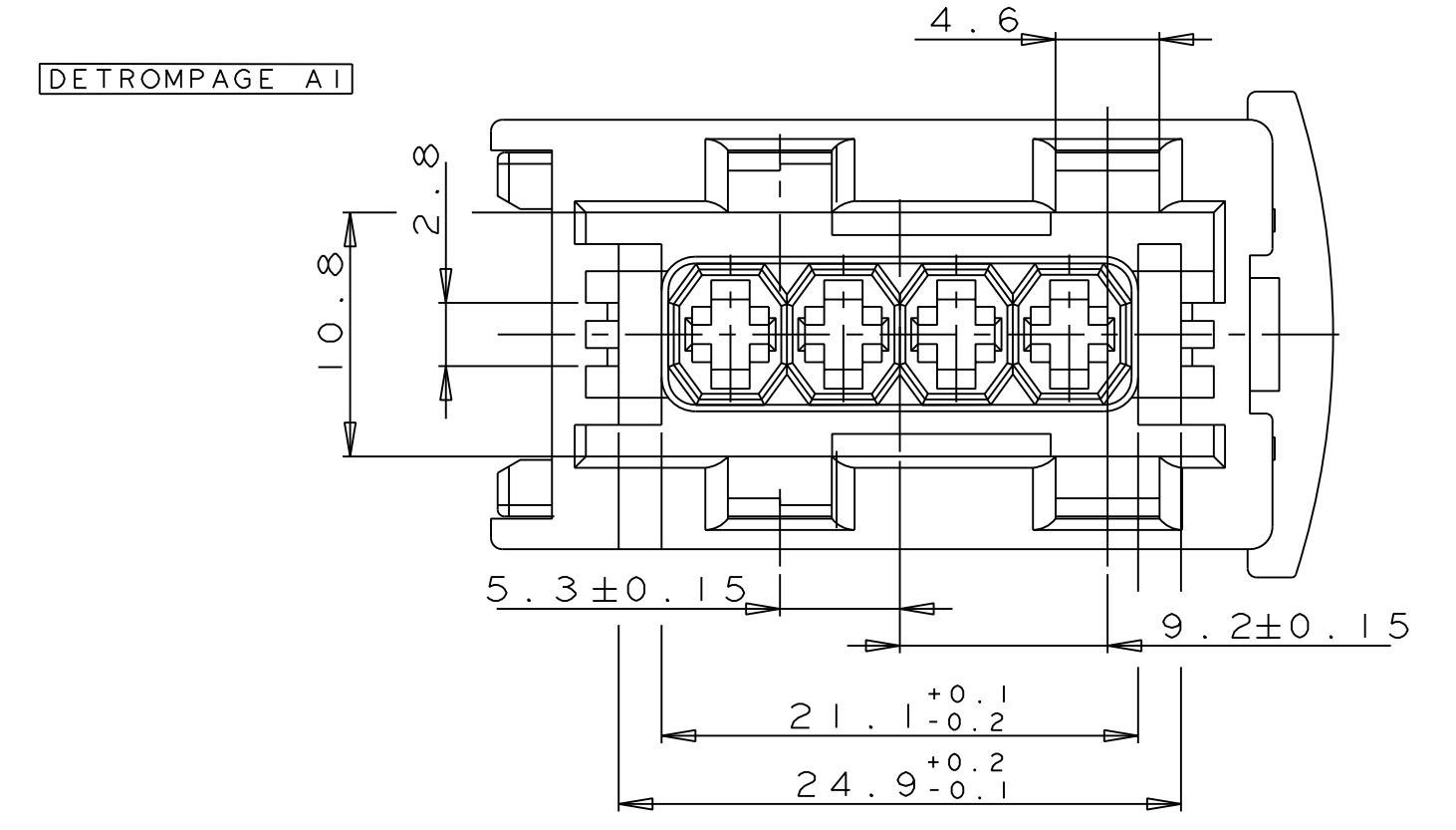
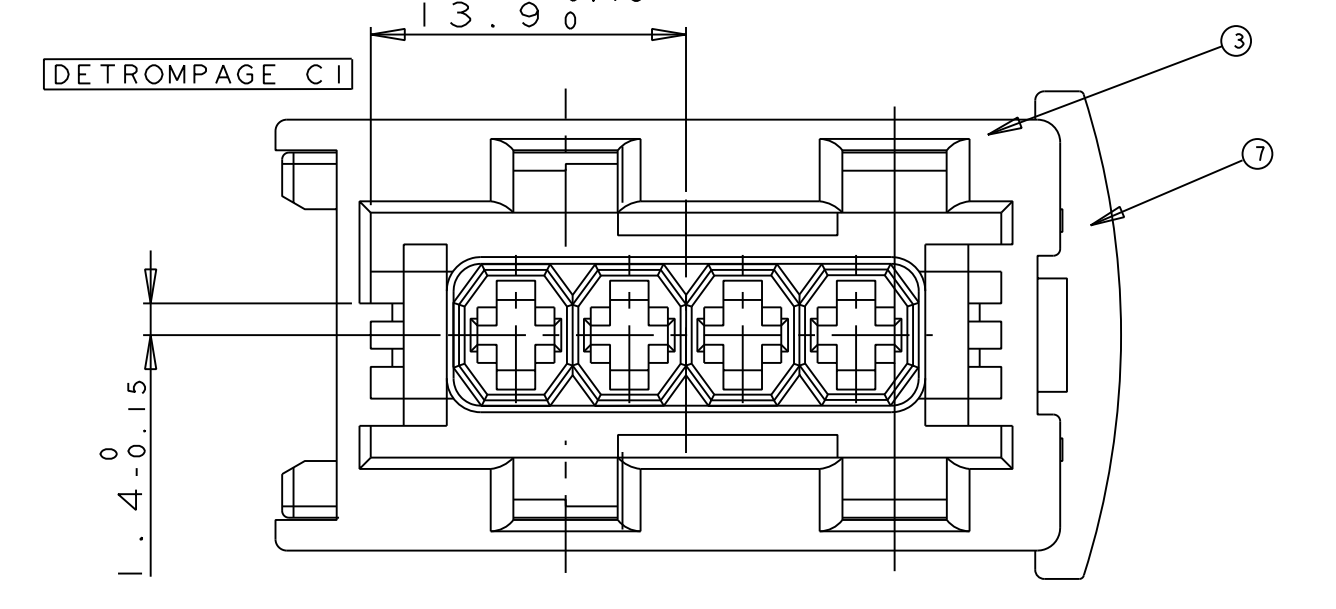
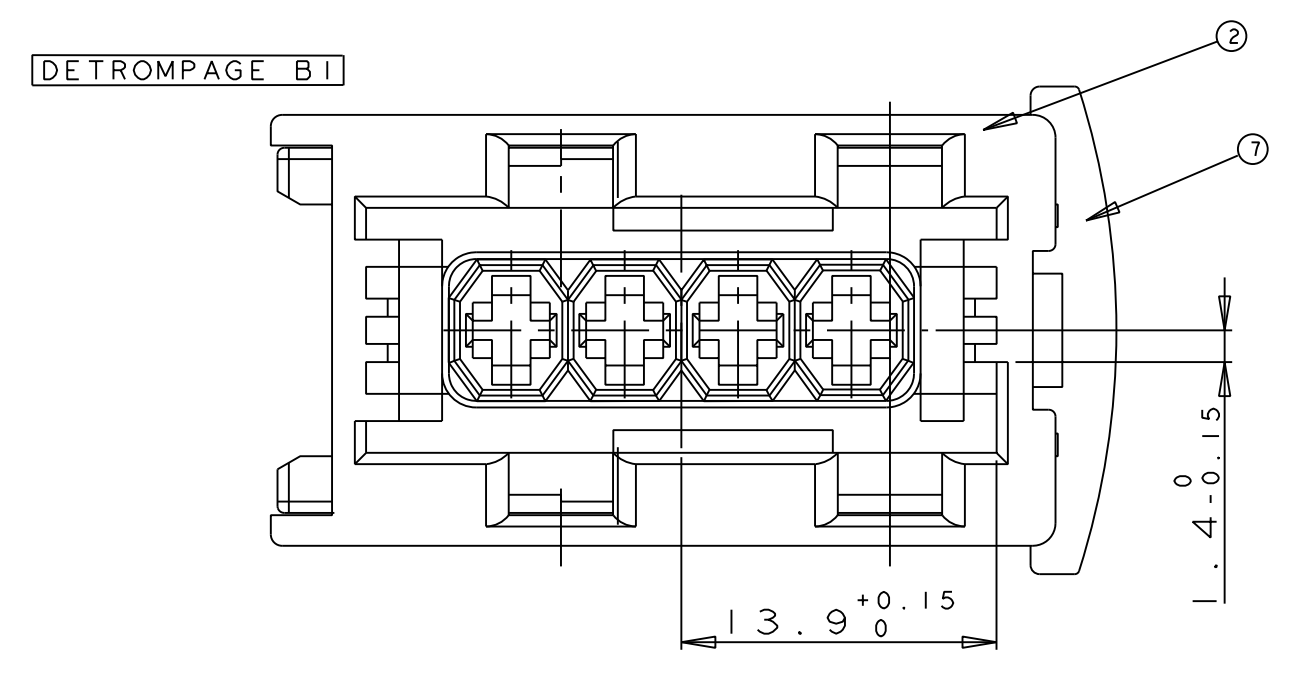
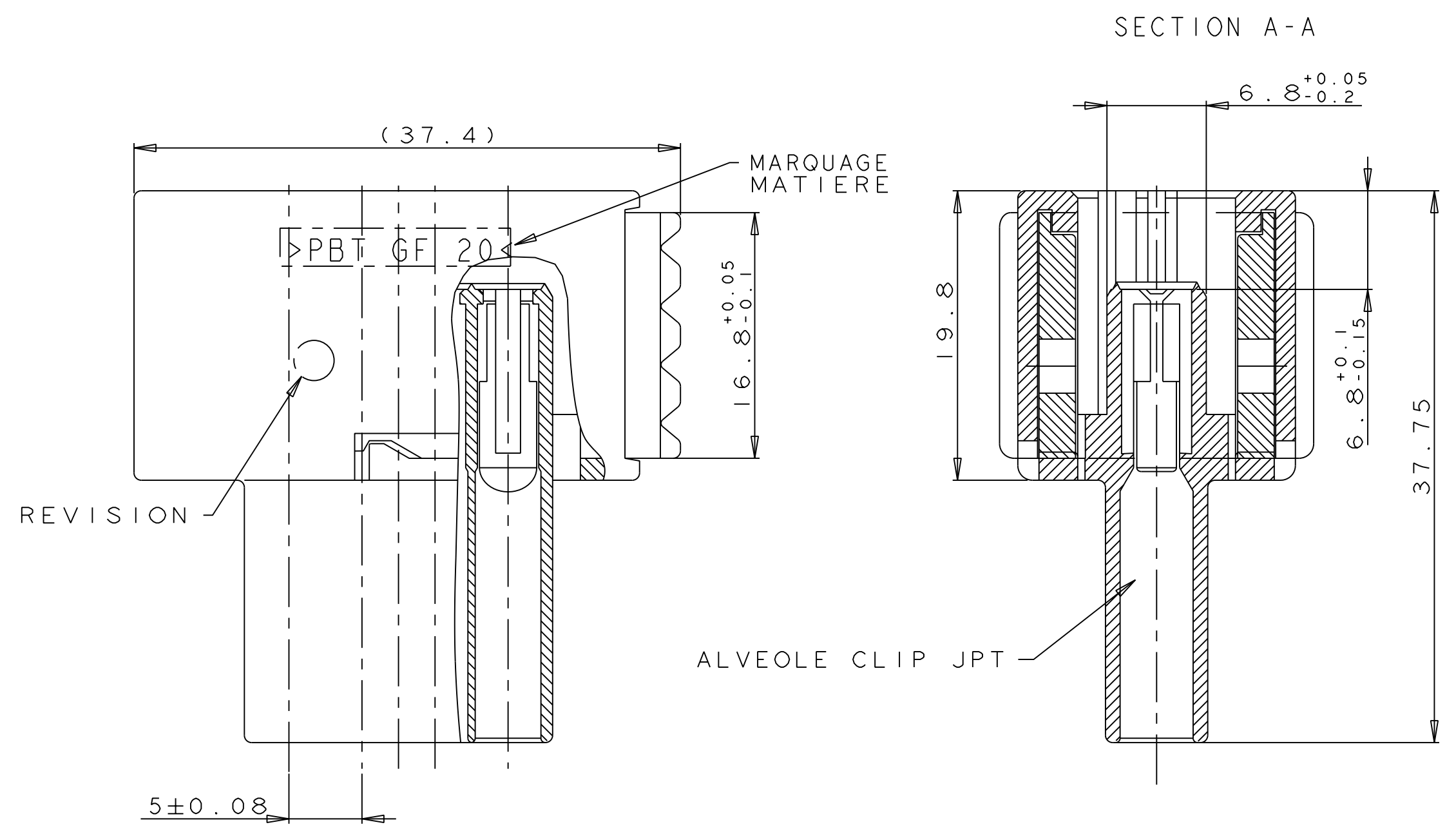
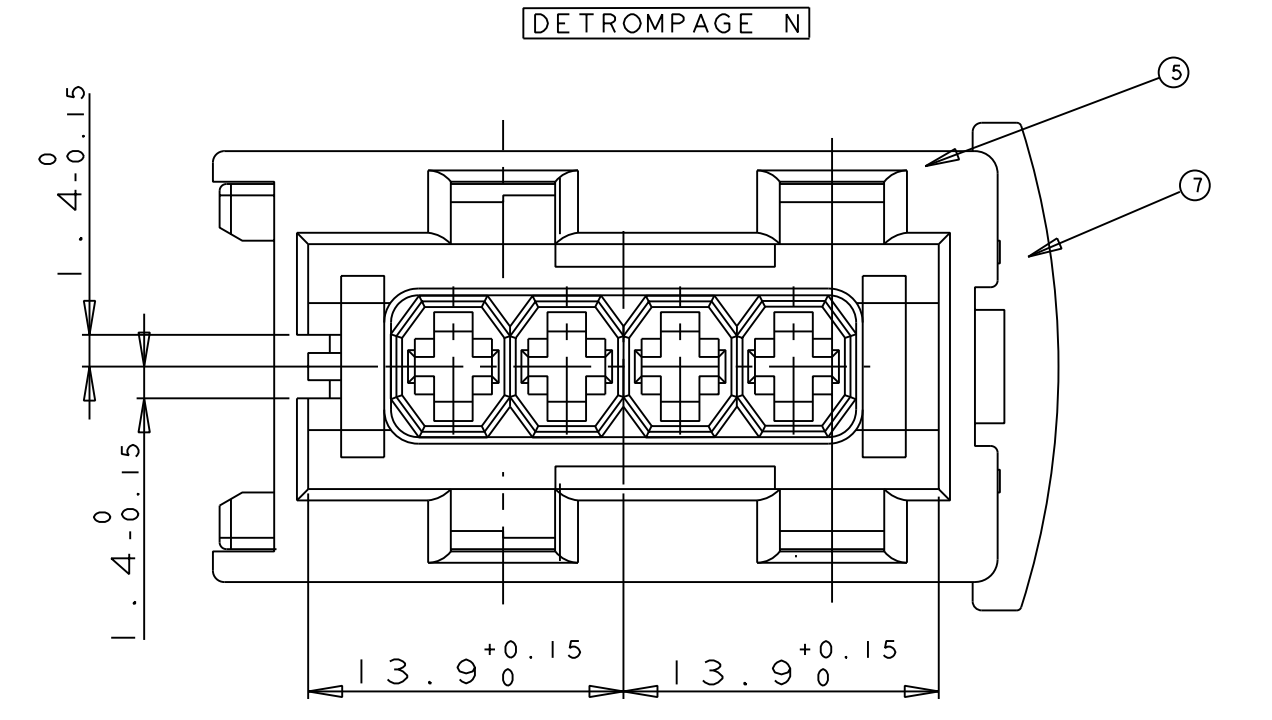
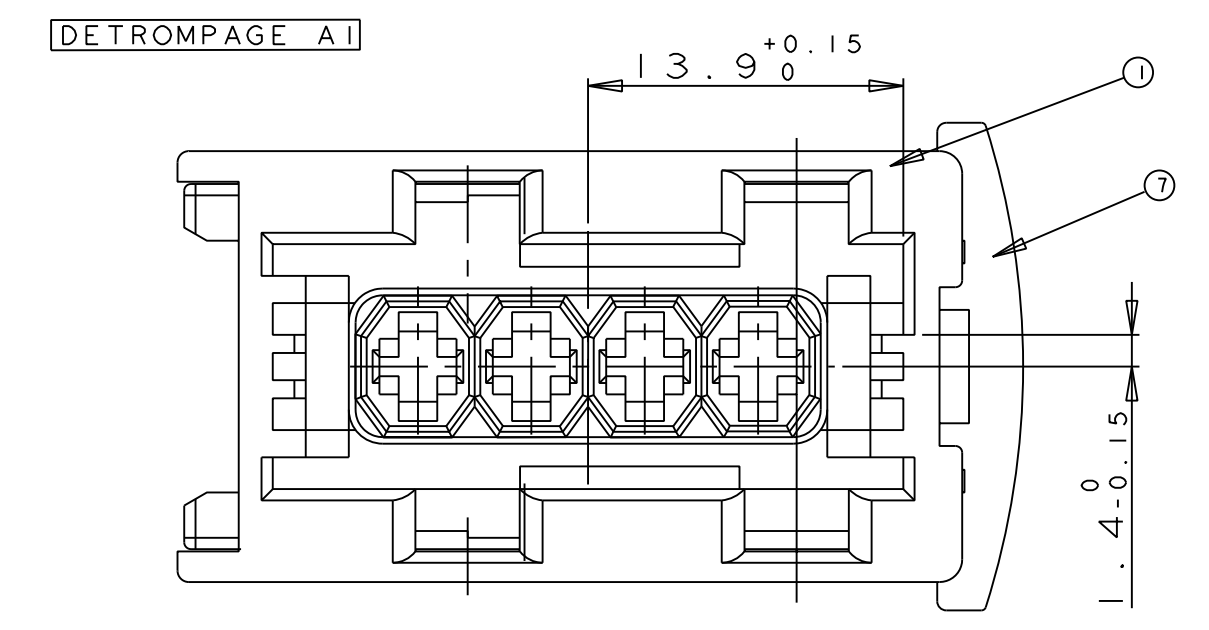
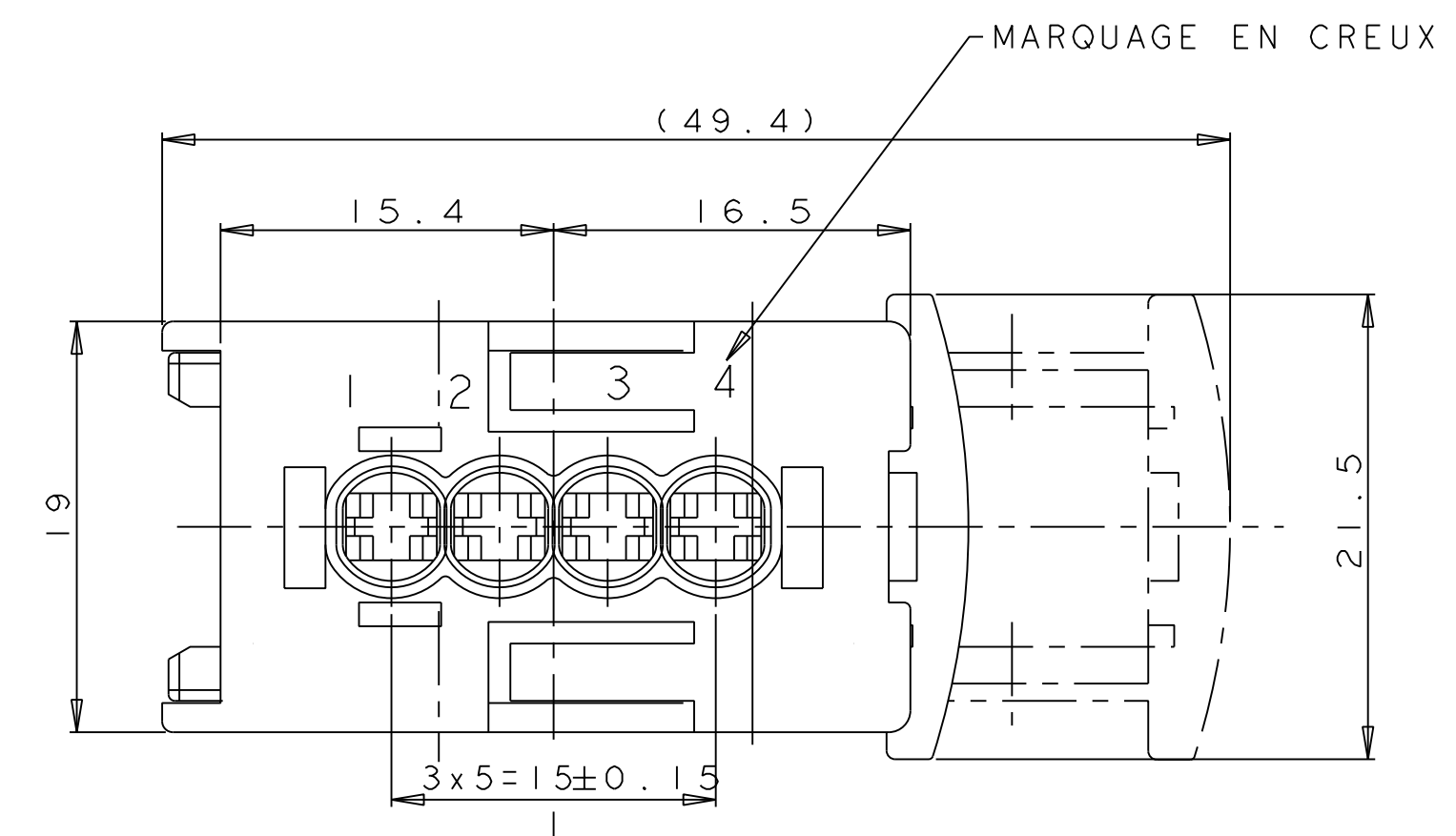


LOC	DIST	REVISIONS			
F	00	REV	DESCRIPTION	DATE	APP
		A1	REVISED PER ECO-11-005150	28MAR2011	RK HMR



144998-6	7	ETRIER	PBT 20% CV	ROUGE
BOITIER E1	6	PORTE-CLIP ETANCHE 4 VOIES JPT	PBT 20% CV	VERT
144998-5	7	ETRIER	PBT 20% CV	ROUGE
BOITIER N	5	PORTE-CLIP ETANCHE 4 VOIES JPT	PBT 20% CV	BLANC
144998-4	7	ETRIER	PBT 20% CV	ROUGE
BOITIER D1	4	PORTE-CLIP ETANCHE 4 VOIES JPT	PBT 20% CV	MARRON
144998-3	7	ETRIER	PBT 20% CV	ROUGE
BOITIER C1	3	PORTE-CLIP ETANCHE 4 VOIES JPT	PBT 20% CV	BLEU
144998-2	7	ETRIER	PBT 20% CV	ROUGE
BOITIER B1	2	PORTE-CLIP ETANCHE 4 VOIES JPT	PBT 20% CV	GRIS
144998-1	7	ETRIER	PBT 20% CV	ROUGE
BOITIER A1	1	PORTE-CLIP ETANCHE 4 VOIES JPT	PBT 20% CV	NOIR
REFERENCE TE CONNECTIVITY	COMPOSANT	DESIGNATION	MATIERE	COULEUR

THIS DRAWING IS A CONTROLLED DOCUMENT.

DIMENSIONS: mm

TOLERANCES UNLESS OTHERWISE SPECIFIED (TOLERANCES NON SPECIFIEES SAUF INDICATION DE DECIMALES):

±0.15	±0.2	±0.2	±0.2	±0.2
-------	------	------	------	------

ANGLES: ±5°

FINISH: F

WEIGHT: 0.0102Kg

MATERIAL: PBT 20% CV

DATE: 05MAY2008

DESIGNER: C. SALGADO

CHECKER: JP. PICAUD

APPROVER: JP. PICAUD

PRODUCT SPEC: 108-15103

APPLICATION SPEC: 411-15530

SIZE: A1

CAGE CODE: 100779

DRAWING NO: 144998

SCALE: 3:1

SHEET: 1 OF 1

REV: A1

RESTRICTED TO RESERVE A

TE Connectivity

PORTE CLIPS ETANCHE 4 VOIES JPT