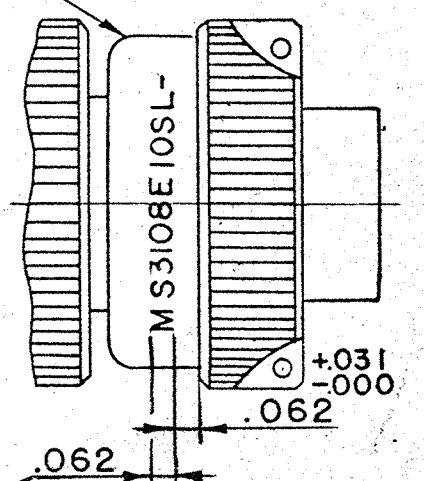


ASSY NO.	MS NO.	DIMENSIONS									
		A ±.045	B THREAD CLASS 2B	C +.047 -.000	D MAX	E MAX	F MAX	G THREAD REF CLASS 2	H ±.005	J DIA MAX	
10-169808	3108E 8S-	.562	.5000-28 UNEF	.531	.927	1.445	.807	6-32 NC	.531	.741	
10-169810	10S-		.6250-24 NEF	.531	.927	1.445	.807		.531	.869	
10-169811	10SL-		.6250-24 NEF	.531	.951	1.508	.901		.531	.946	
10-169812	12S-		.7500-20 UNEF	.531	.956				.531	.995	
10-169813	12-	.812	.7500-20 UNEF	.719	1.143				.719	.995	
10-169814	14S-	.562	.8750-20 UNEF	.531	1.020	1.570	1.026		.531	1.123	
10-169815	14-	.812	.8750-20 UNEF	.719	1.207	1.570	1.026		.719	1.123	
10-169816	16S-	.562	1.0000-20 UNEF	.531	1.146	1.633	1.119		.531	1.250	
10-169817	16-	.812	1.0000-20 UNEF	.719	1.333	1.633	1.119		.719	1.250	
10-169818	18-		1.1250-18 NEF		1.395	1.759	1.229			1.333	
10-169820	20-		1.2500-18 NEF		1.598	1.931	1.479	8-32 NC		1.461	
10-169822	22-		1.3750-18 NEF		1.598	1.993	1.479			1.588	
10-169824	24-		1.5000-18 NEF		1.786	2.119	1.666			1.715	
10-169828	28-		1.7500-18 NS		1.786	2.181	1.666			1.968	
10-169832	32-		2.0000-18 NS		2.020	2.570	2.135	10-32 NF		2.209	
10-169836	36-		2.2500-16 UN		2.145	2.695	2.260			2.463	
10-169840	40-		2.5000-16 UN		2.270	2.851	2.510			2.718	

32508-157	WAS	ALL
1 32525-396	3106 (EXAMPLE 2 PLACES)	7-19-57 E MICHEL
2 33750-63	ADD. NOTE 12 & DATA	1-20-58 HUDOCK
3 35826-10	RELOC B REV C DIM & .000 +.016 -.047	9-1-59 BARTKOW
4 36235-6	REM ACCESSORY BLOCK; ADD NOTES 13 & 14; REV SOLDER WELL DATA	2-1-60 DONLON
5 36525-331	REM PD COL (8 THD); REV J DIA COL; ADD NOTE 15; REV NOTE 3	3-16-60
6 37985-8	REDESIGNED GROMMET FOR 10-169817-12 ARR	2-3-61 HISCOTT
7 39525-81	SEALING WASHER 10-35918 SERIES	10-31-62
A1 51175-1	(MFG); REM NOTE 12, REVISION LETTER (C) (3 PLACES)	11-13-69
A2 53249-14	ADD. 9-3895; REV STAMPING NOTES	16-72

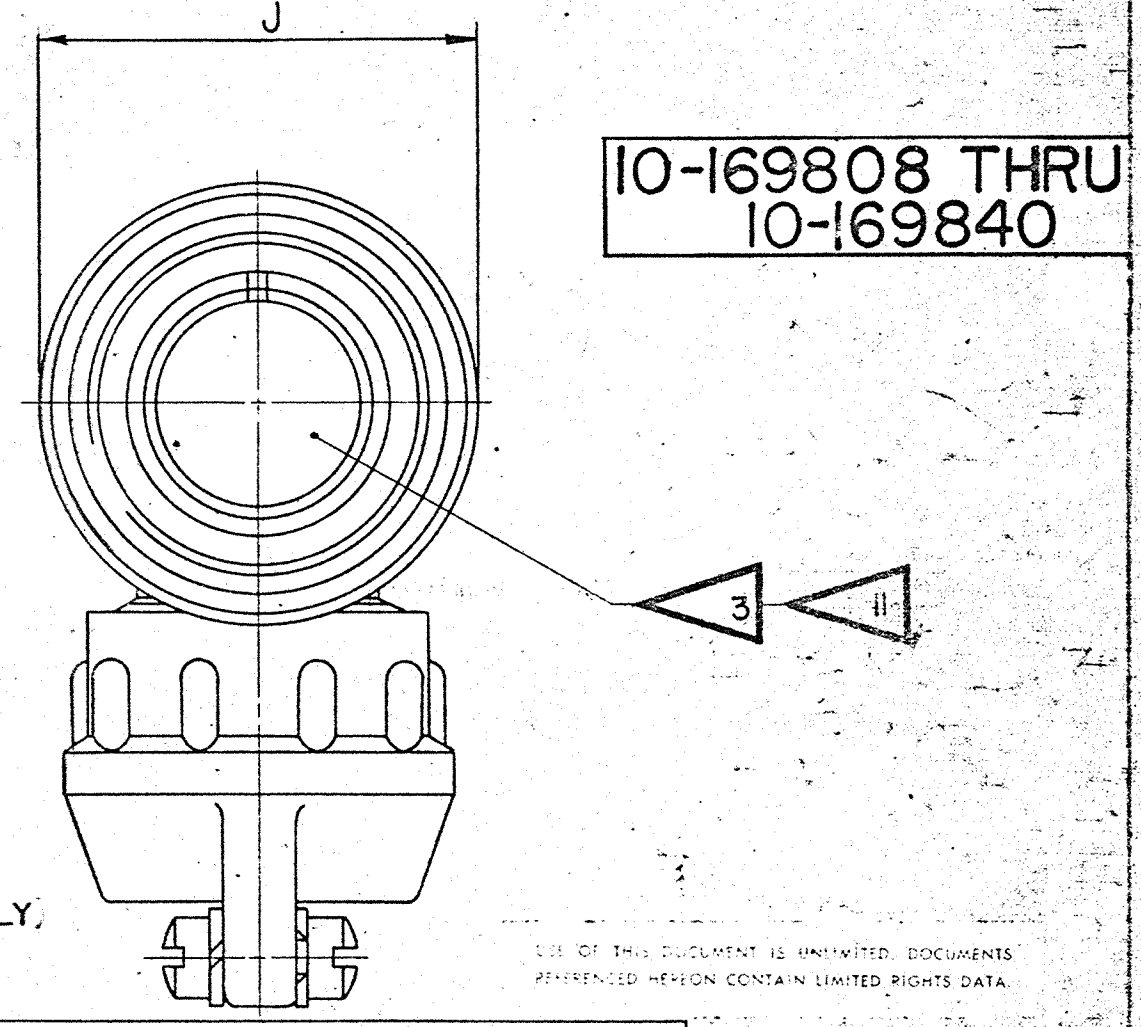
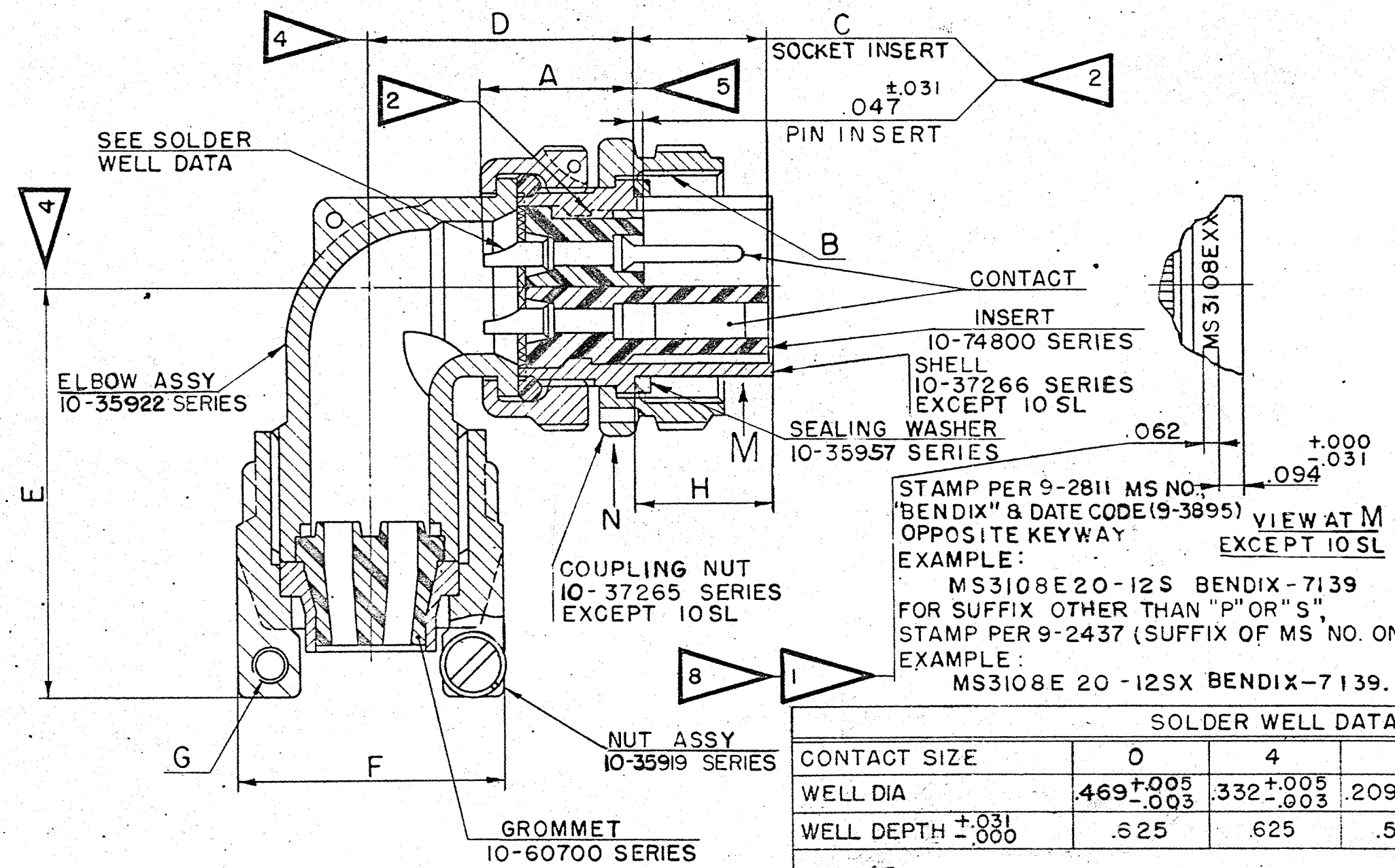
SHELL & NUT ASSY
10-113488-11



VIEW AT N
10SL ONLY

STAMP PER 9-2811
EXAMPLE: MS3108E10SL-3S BENDIX -7139
NUT MUST TURN FREELY
AFTER STAMPING

- 12.
11. INSERTS & CONTACTS ARE REMOVABLE.
10. FOR OPTIMUM MOISTURE RESISTANCE, CABLE DIAMETERS MUST BE WITHIN 58% OF MAXIMUM FOR EACH CONTACT SIZE. FOR SMALLER CABLES, USE WATERPROOF SLEEVING.
9. SEE DRAWINGS 10-169008 THRU 10-169040 & DRAWINGS 10-169208 THRU 10-169240 FOR REQUIRED MATING RECEPTACLE ASSEMBLIES.
8. SEE WORK ORDER FOR PERMISSIBLE ADDITIONAL OR ALTERNATE STAMPING.
7. ALL LOCKWIRE HOLES ARE .045 DIA MIN.
6. TO COMPLETE ASSEMBLY NUMBER & MS NO., ADD APPLICABLE INSERT ARRANGEMENT SUFFIX TO BASE NUMBERS LISTED ABOVE. TO DETERMINE DESIRED INSERT ARRANGEMENT, SEE PARTS LISTS 10-169808 THRU 10-169840.
5. INCREASE A DIMENSION BY .312 FOR SIZE "O" CONTACT ONLY.
4. DIMENSIONS INDICATE FINAL INSTALLATION. FOR STORAGE & SHIPPING, NUT ASSEMBLY & ELBOW ASSEMBLY MUST BE LOOSELY COUPLED.
3. FOR CONTACT SIZE, SPACING & SERVICE RATING. SEE DRAWINGS MS33680 THRU MS33690.
2. DIMENSIONS MUST BE MAINTAINED WHEN INSERTS ARE PRESSED FIRMLY AGAINST INDICATED SHOULDER.
1. THE UNITS ILLUSTRATED MEET THE REQUIREMENTS OF MS3108E PER SPEC MIL-C-5015C.



CONTACT SIZE	0	4	8	12	16	16M
WELL DIA	.469 ^{+.005} _{-.003}	.332 ^{+.005} _{-.003}	.209 ^{+.004} _{-.002}	.116 ^{+.004} _{-.002}	.078 ^{+.004} _{-.002}	.078 ^{+.004} _{-.002}
WELL DEPTH	.525	.625	.500	.375	.188	.250

15. FOR PART NUMBERS 10-169817-13, 10-169818-15, 61- & 62-, SEE INDIVIDUAL DRAWINGS 10-169817-13, 10-169818-15, 61-00000 & 62-00000.
14. SHIP CONNECTOR, WITH SEALING PLUGS UNASSEMBLED, IN A PLIOFILM BAG.
13. ALL UNUSED GROMMET HOLES MUST BE FILLED WITH SEALING PLUGS.

MATERIAL SPEC.	PROCESS SPEC.	SCINTILLA MAGNETO DIVISION BENDIX AVIATION CORPORATION SIDNEY, N.Y. U.S.A.		TOLERANCES, UNLESS OTHERWISE SPECIFIED
HEAT TREAT SPEC.	TEST	CONNECTOR, ELECTRICAL PLUG, TYPE SG(1)MC-9C		REVISIONS
	9-3106-3 ASSY			WEIGHT
	9-3103-2 SEE NOTE 1			SEE PARTS LIST
	9-2437.9-2811			SUPERSEDES
	9-3895			SUPERSEDED BY
MAN	CHECKER	MAT	SCALE	AND IS ONLY INTERFERING
A SMEY	BHR/VTC		NONE	10-169808 THRU 10-169840
TOOL ACC.	DATE	REV	SCALE	10-169808/40
	4-25-57	5-9-57		DWG SIZE C
				TAB. CODE 77820

NOTES: REF SYMBOL ◀