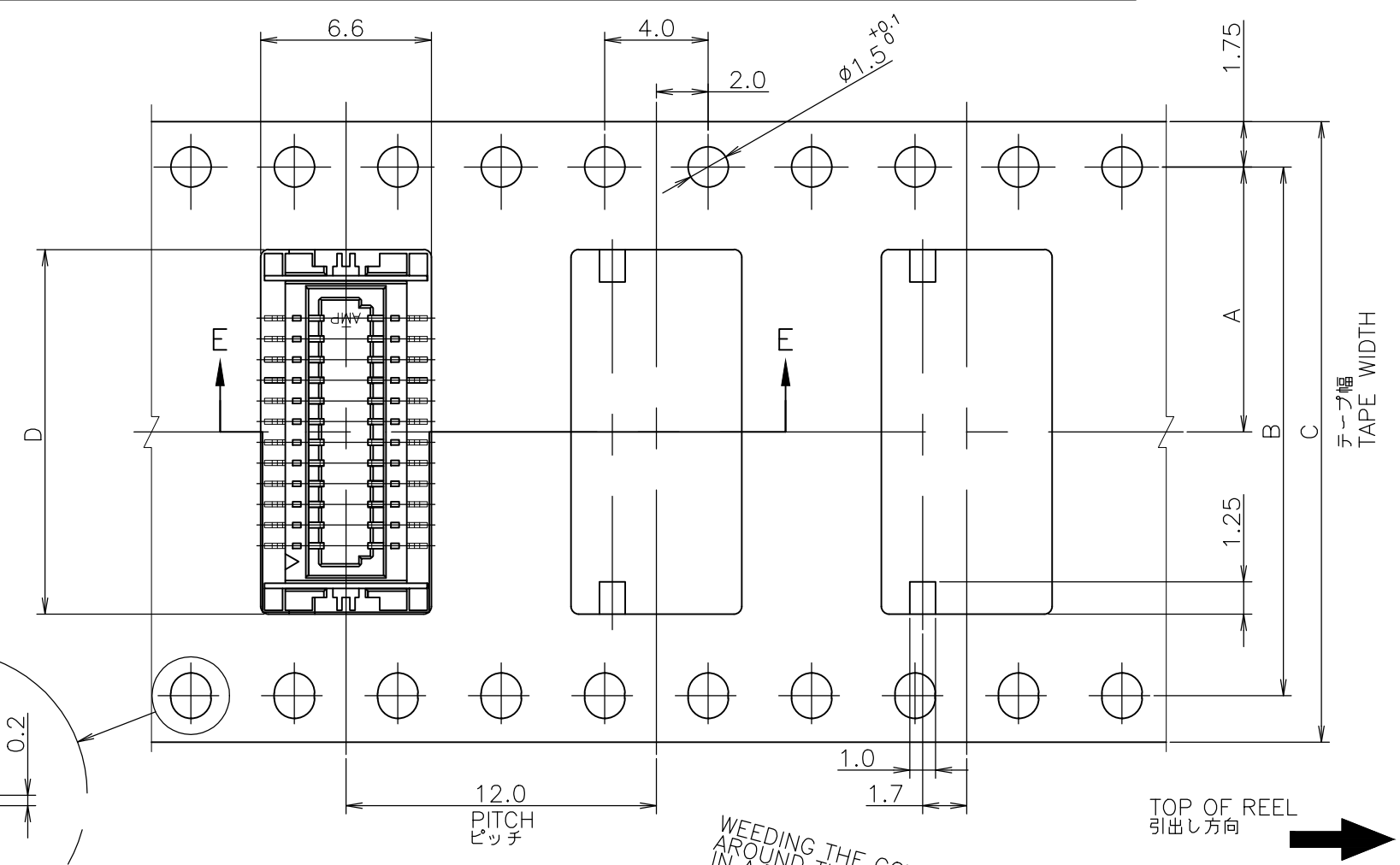
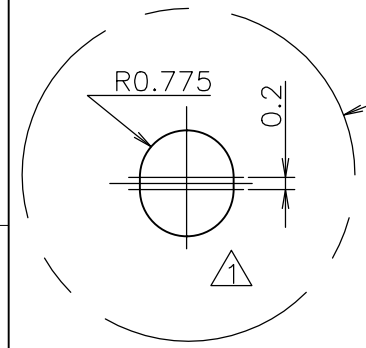
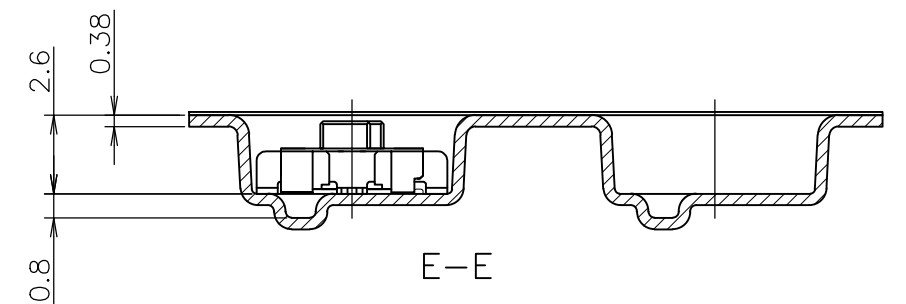


THIS DRAWING IS UNPUBLISHED. RELEASED FOR PUBLICATION .FEB 1995  
 © COPYRIGHT 1995 TE Connectivity Ltd. ALL RIGHTS RESERVED.

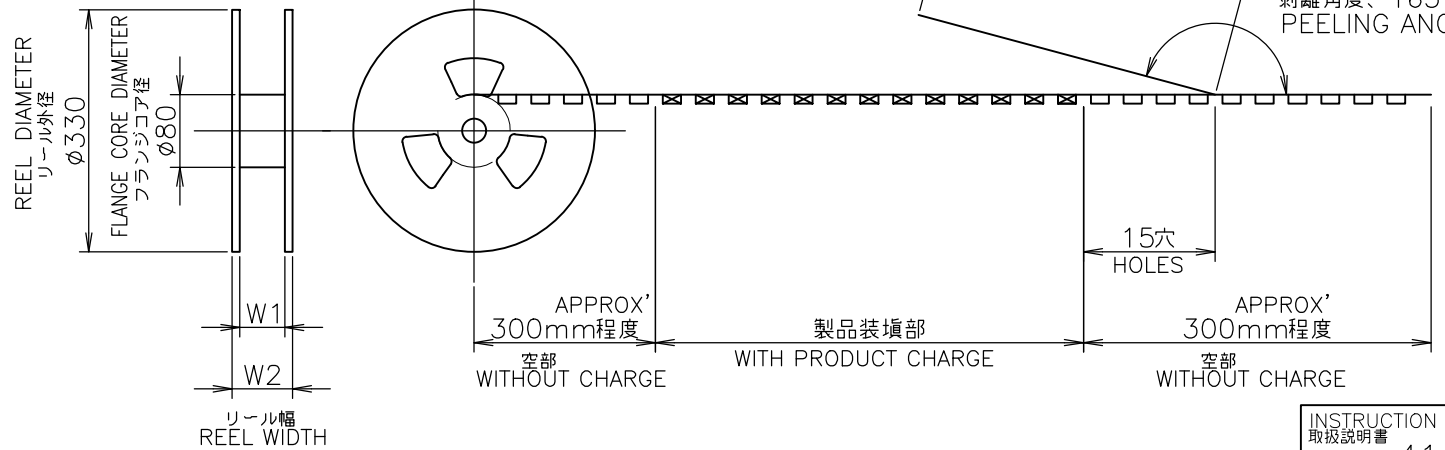
REVISIONS 変更					
P	LTR	DESCRIPTION	DATE	DWN	APVD
	B	REVISED PER ECO-18-011678	20JUL18	R.L	H.L



- ⚠ 指示穴は40極品のみ適用。
- ⚠ THESE HOLES ARE APPLIED TO 40 Pos. ONLY.
- ⚠ OBSOLETE PARTS: OBSOLETE CIS STREAMLINING PER D.RENAUD/D.SINISI



WEEDING THE COVER TAPE AROUND THE OUTER PERIPHERY IN A TURN.  
 カバーテープ リーダー部 外周一巻  
 剥離角度、165°~180° PEELING ANGLE.



⚠ OBSOLETE OBSOLETE	37.5	33.5	20.5	32	28.4	14.2	↑	40	4-	↑ -0	-4	↑ -0
	↑	↑	16.5	↑	---	↑		30	3-	-0	3-	-0
	↑	↑	14.1	24	---	11.5		24	2-	-4	2-	-4
	↑	↑	10.9	↑	---	↑		16	1-	-6	1-	-6
	21.5	17.5	10.1	16	---	7.5	1500	14	1-	-6	1-	-6
	W2	W1	D	C	B	A	数量 (ヶ) QTY/REEL	極数 POS	コネクタ型番 (バラ状) CONNECTOR P/N (L/P)		リール巻 コネクタ型番 TAPING P/N	

鉛フリー  
LEAD FREE

INSTRUCTION SHEET  
取扱説明書 411-5654

THIS DRAWING IS A CONTROLLED DOCUMENT.		DWN Y.NAKAZAWA 15FEB95	<b>STE</b> TE Connectivity Ltd.	
DIMENSIONS: 単位: 耗 mm		CHK K.ASAKAWA 20FEB95		
TOLERANCES UNLESS OTHERWISE SPECIFIED: 一般公差		APVD S.KUBOUCHE 21FEB95	NAME 名称 エンボス詰 プラグ・アッセンブリ	
0 PLC ± 0.2		PRODUCT SPEC 製品規格 108-5424	PLUG ASSEMBLY WITHOUT BOSS 0.8mm	
1 PLC ± 0.2		APPLICATION SPEC 取付適用規格	0.8mm PITCH B-T-B CONNECTOR	
2 PLC ± 0.2		WEIGHT 0.000000	SIZE A3	0.8mm PITCH B-T-B CONNECTOR (MATING HEIGHT 3mm)
3 PLC ± 0.2		CUSTOMER DRAWING	CAGE CODE 00779	DRAWING NO 番号 C-179702
4 PLC ± 0.2			RESTRICTED TO	
ANGLES ± 3°			SCALE 尺度 4:1	SHEET 1 OF 1
MATERIAL 材料			REV B	