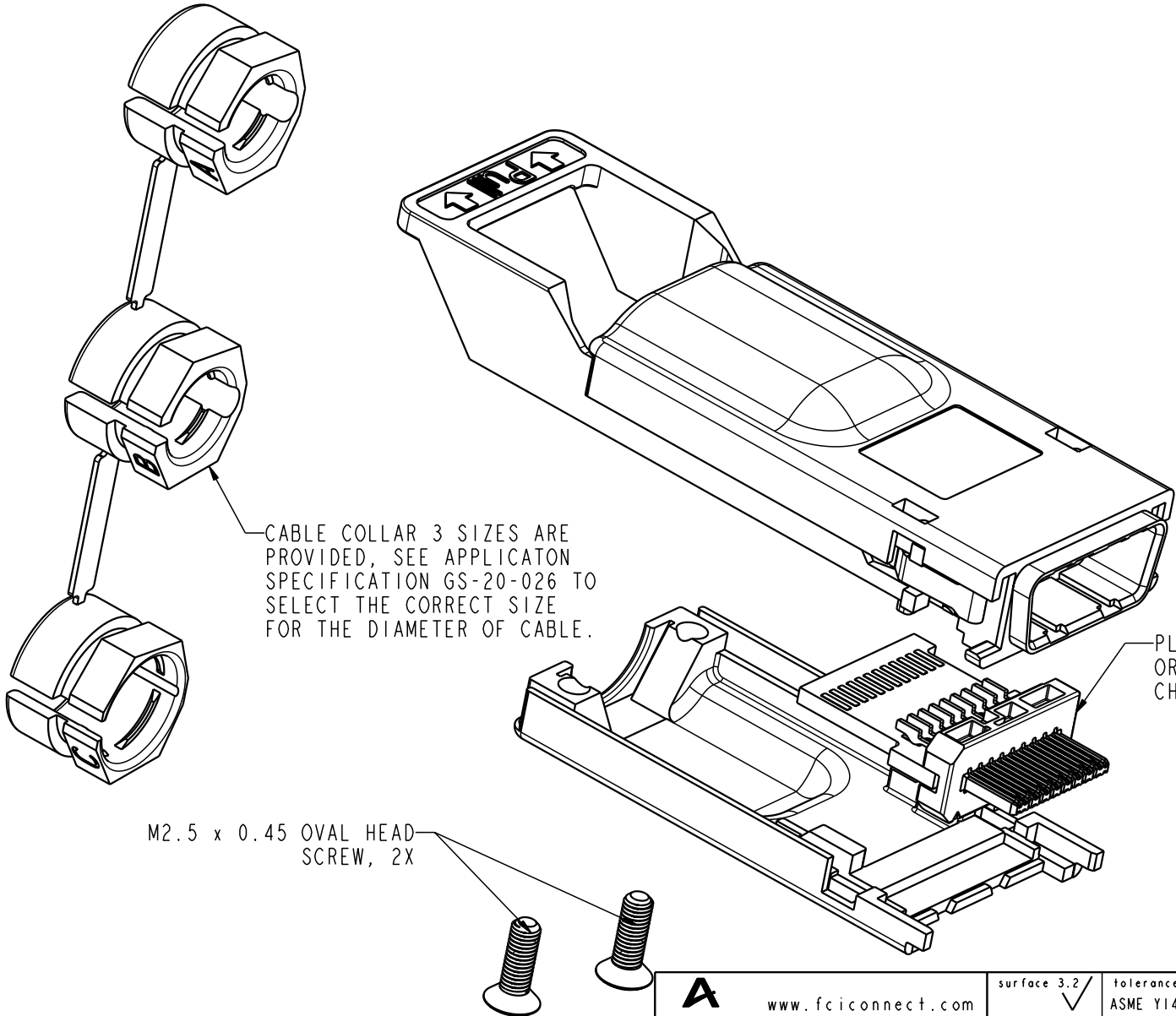


PRODUCT NO.
SEE TABLE



Tous droits strictement réservés. Reproduction ou communication à des tiers interdite sous quelque forme que ce soit sans autorisation écrite du propriétaire. Propriété de FCI. Droits de reproduction FCI.



All rights strictly reserved. Reproduction or issue to third parties in any form whatever is not permitted without written authority from the proprietor. Property of FCI. Copyright FCI.

TOLERANCES UNLESS OTHERWISE SPECIFIED

LINEAR	0.X	±.3
	0.XX	±.10
	0.XXX	±.050
ANGULAR	0°	±2°

rev	ecn no	dr	date
C	V03-0415	GIP	04/15/03
D	V03-0796	GIP	07/21/03
E	V03-0971	DAI	10/23/03
F	V04-0008	DAI	01/28/04
G	V04-0508	DAI	06/16/04
H	V05-0064	TAB	03/03/05
J	V05-0528	DAI	06/30/05

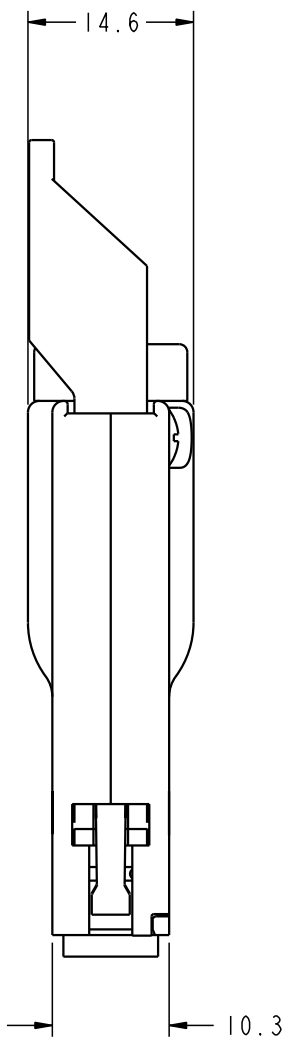
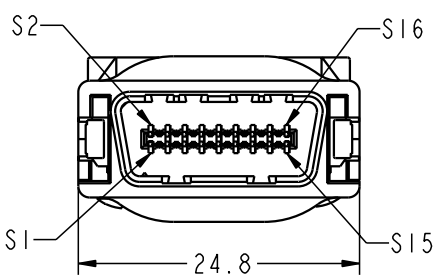
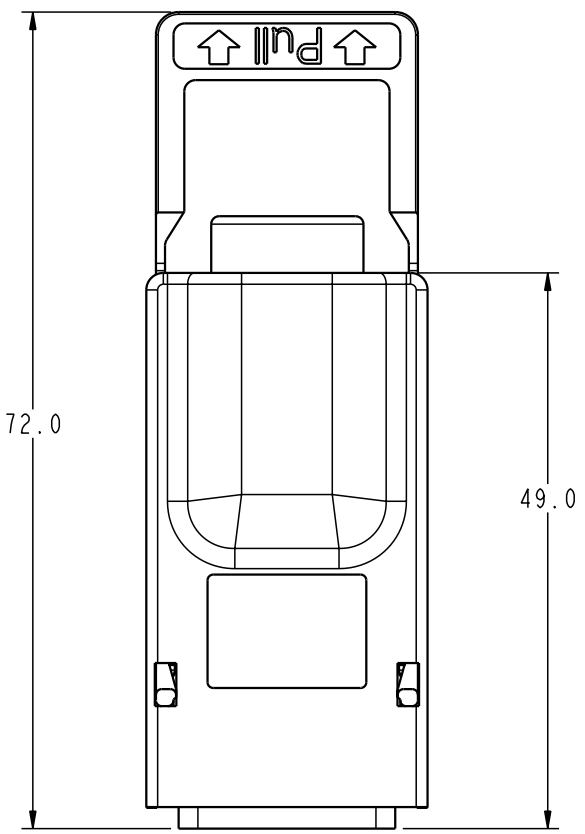
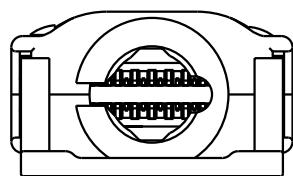
A FCI	www.fciconnect.com		surface 3.2 ASME Y14.5	tolerance ASME Y14.5	projection 	MM 		
	Dr	D.FUSSELMAN	2/28/02	Product family	EYEMAX(tm)	size	A4	Scale
Eng	S.OLSON	2/21/02	Spec ref	-	ECN	V05-0528		
Chr	T.BRUNGARD	7/30/02	Material	SEE NOTES				
Appr	D.BRANN	7/30/02						
title	4X PLUG KIT EYEMAX(tm)				dwg no	58441	Rev.	J
catalog no	-				CUSTOMER	sheet 1 of 5		



Tous droits strictement reserves. Reproduction ou communication a des tiers interdite sous quelque forme que ce soit sans autorisation écrite du propriétaire. Propriete de c FCI. Droits de reproduction FCI.

All rights strictly reserved. Reproduction or issue to third parties in any form whatever is not permitted without written authority from the proprietor. Property of FCI. Copyright FCI.

PRODUCT NO.
SEE TABLE



FCI	title	4X PLUG KIT	dwg no	58441	Rev.	J
	Pro/E file	catalog no	-	CUSTOMER	sheet 2 of 5	

3 PDM: Rev:J

STATUS Released

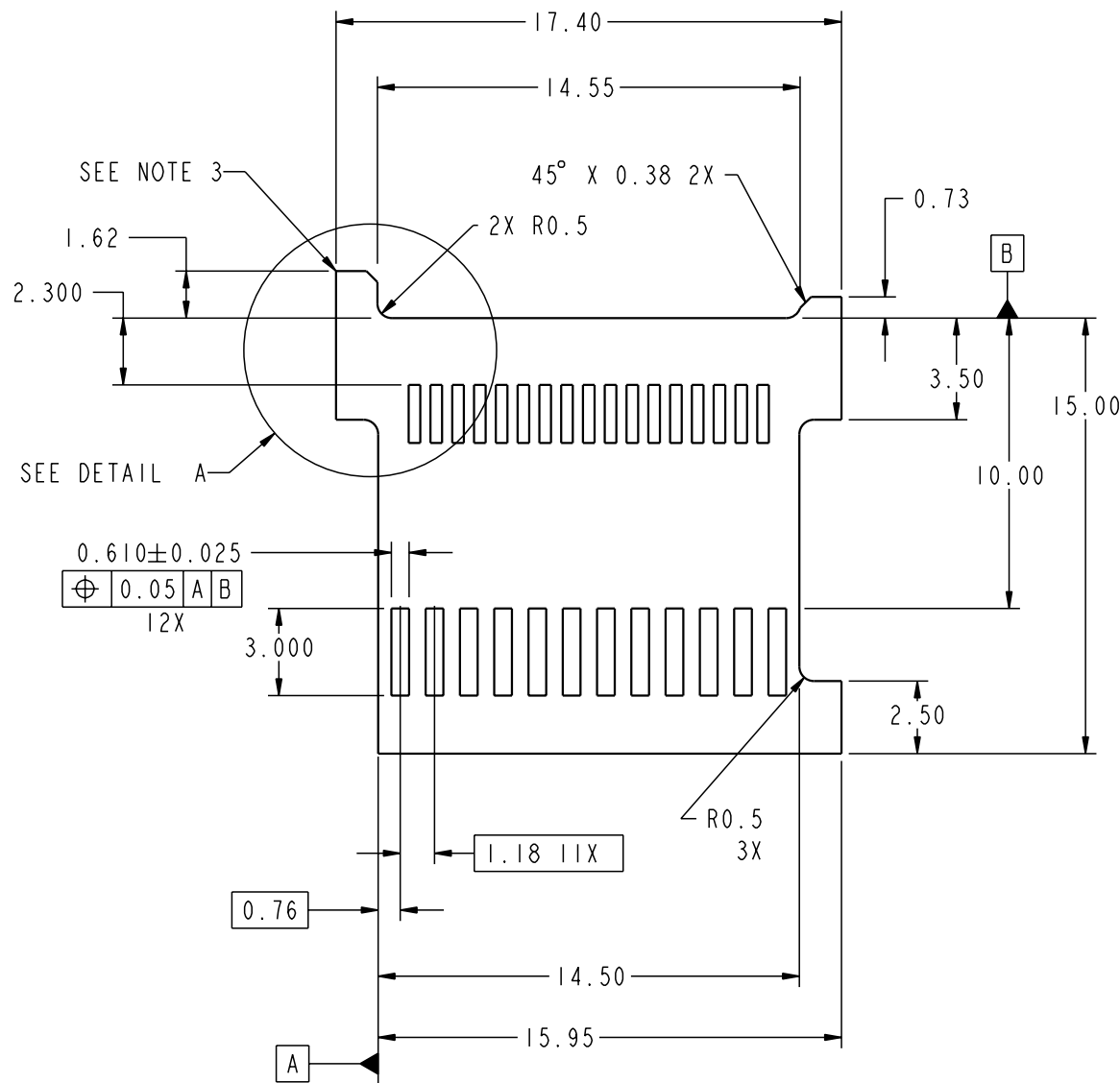
4 Printed: Jul 22, 2010

Tous droits strictement réservés. Reproduction ou communication à des tiers interdite sous quelque forme que ce soit sans autorisation écrite du propriétaire. Propriété de FCI. Droits de reproduction FCI.

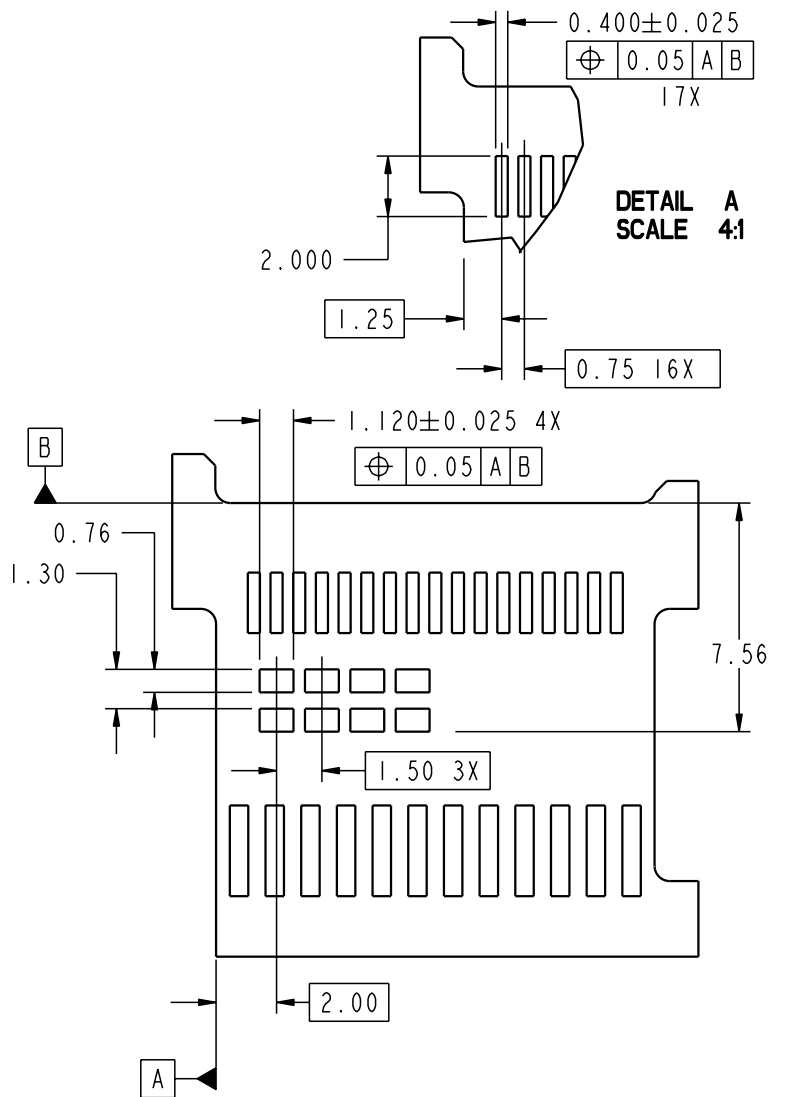
FCI

All rights strictly reserved. Reproduction or issue to third parties in any form whatever is not permitted without written authority from the proprietor. Property of FCI. Copyright FCI.

PRODUCT NO.
SEE TABLE



**RECOMMENDED PCB LAYOUT,
FOR UNEQUALIZED PLUG ASSEMBLY**



**RECOMMENDED PCB LAYOUT,
FOR EQUALIZED PLUG***

*COMPONENT PADS ADDED TO EQUALIZED PCB,
ALL OTHER DIMENSIONS THE SAME AS
UNEQUALIZED PCB AS SHOWN.

title	4X PLUG KIT EYEMAX(tm)	dwg no	58441	Rev.	J
catalog no	-	CUSTOMER	sheet 3 of 5		

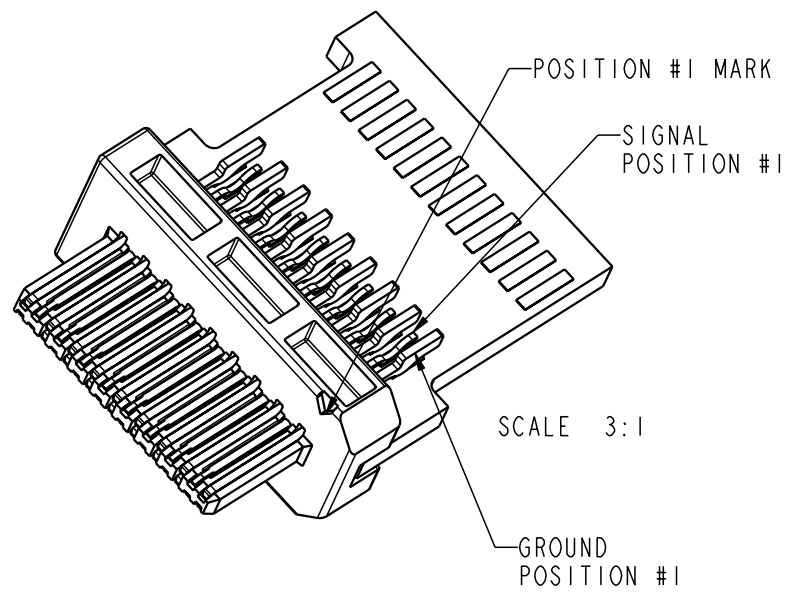
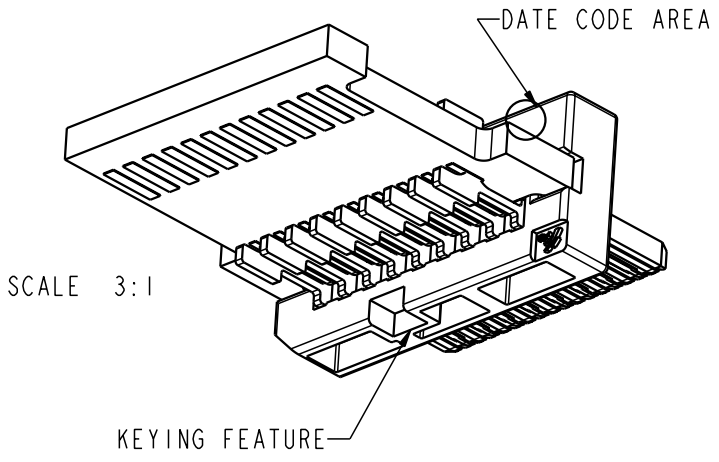
1 2 3 4

PRODUCT NO.
SEE TABLE

Tous droits strictement reserves. Reproduction ou communication a des tiers interdite sous quelque forme que ce soit sans autorisation écrite du propriétaire. Propriete de c FCI. Droits de reproduction FCI.



All rights strictly reserved. Reproduction or issue to third parties in any form whatever is not permitted without written authority from the proprietor. Property of FCI. Copyright FCI.



A
B
C
D

title	4X PLUG KIT EYEMAX(tm)	dwg no	58441	Rev.	J
catalog no	-	CUSTOMER	sheet 4 of 5		

2

3 PDM: Rev:J

STATUS Released

4 Printed: Jul 22, 2010

Tous droits strictement reserves. Reproduction ou communication a des tiers interdite sous quelque forme que ce soit sans autorisation écrite du propriétaire. Propriete de c FCI. Droits de reproduction FCI.



All rights strictly reserved. Reproduction or issue to third parties in any form whatever is not permitted without written authority from the proprietor. Property of FCI. Copyright FCI.

PRODUCT NUMBER	DESCRIPTION
58441-001	PLUG KIT WITH UNEQUALIZED P1 PCB
58441-002	PLUG KIT WITHOUT PCB
58441-003	PLUG KIT WITH EQUALIZED P1 PCB WITHOUT COMPONENTS
58441-004	PLUG KIT WITH EQUALIZED P1 PCB WITH COMPONENTS
58441-101	PLUG KIT WITH UNEQUALIZED P2 PCB
58441-103	PLUG KIT WITH EQUALIZED P2 PCB WITHOUT COMPONENTS
58441-104	PLUG KIT WITH EQUALIZED P2 PCB WITH COMPONENTS

* ADD LF TO PART NUMBER FOR LEAD FREE SOLDER TAILS
EXAMPLE: 58441-001LF, SEE NOTES 1, 4, 7, AND 8

NOTES:

- ①. PACKAGING SPECIFICATION GS-14-794
PACKAGING OF LEAD FREE PRODUCTS MEETS LABELING AND PACKAGING SPECIFICATION GS-14-920.
- 2. APPLICATION SPECIFICATION GS-20-026 FOR PADDLE CARD TERMINATION DETAILS. FOR EASE OF WIRE MANAGEMENT, A P1 ASSEMBLY IS RECOMMENDED ON ONE END OF THE CABLE AND P2 ASSEMBLY ON THE OTHER END.
- 3. PRODUCT SPECIFICATION GS-12-209
- ④. MATERIAL:
CONTACTS: COPPER ALLOY WITH GOLD OVER NICKEL PLATING IN THE CONTACT AREA AND TIN/LEAD PLATING ON SOLDER TAIL UNLESS PART NUMBER ENDS IN LF. LEAD FREE SOLDER TAIL PLATING 2um (80u") MIN MATTE TIN OVER 1.27um (50u") MIN NICKEL UNDERPLATE.
HOUSING: HIGH TEMPERATURE THERMOPLASTIC, UL 94V-0 RATED, SUITABLE FOR REFLOW SOLDERING
SHELLS: ZINC WITH NICKEL PLATING AND COPPER UNDERPLATING
PULL TAB & CABLE COLLAR: THERMOPLASTIC
LATCH: STAINLESS STEEL
- 5. MATES WITH RECEPTACLE 58368 OR 58369
- 6. PLUG ASSEMBLIES, COVER ASSEMBLY KITS (58476) AND CABLE COLLARS (10007239) CAN BE PURCHASED AS SEPARATE ITEMS. PLUG ASSEMBLY DRAWINGS ARE 58443-NO PCB, 58638-UNEQUALIZED, 10026692-EQUALIZED.
- ⑦. IF LEAD FREE PART NUMBER, THE HOUSING WILL WITHSTAND EXPOSURE TO 260°C PEAK TEMPERATURE FOR 10 SECONDS IN A WAVE SOLDER APPLICATION WITH A 1.60mm MIN THICK CIRCUIT BOARD.
- ⑧. LEAD FREE PRODUCTS MEET EUROPEAN UNION DIRECTIVES AND OTHER COUNTRY REGULATIONS AS DESCRIBED IN GS-22-008.

PCB NOTES:

- 1. PADS ON BOTH SIDES OF PCB.
- 2. DIMENSIONS APPLY TO BOTH SIDES OF PCB LOCATED FROM DATUMS A & B.
- ③. THIS AREA NOT TO USED TO LOCATE SOLDER TAILS TO SOLDER PADS, THIS AREA IS TO AID IN ASSEMBLY BY LIMITING TOP TO BOTTOM MOVEMENT OF THE PADDLE CARD.
- 4. PCB THICKNESS: 1.57mm (.062").

A

B

C

D

title	4X PLUG KIT		dwg no	58441	Rev.	J
	EYEMAX(tm)			CUSTOMER		sheet 5 of 5
catalog no			-			