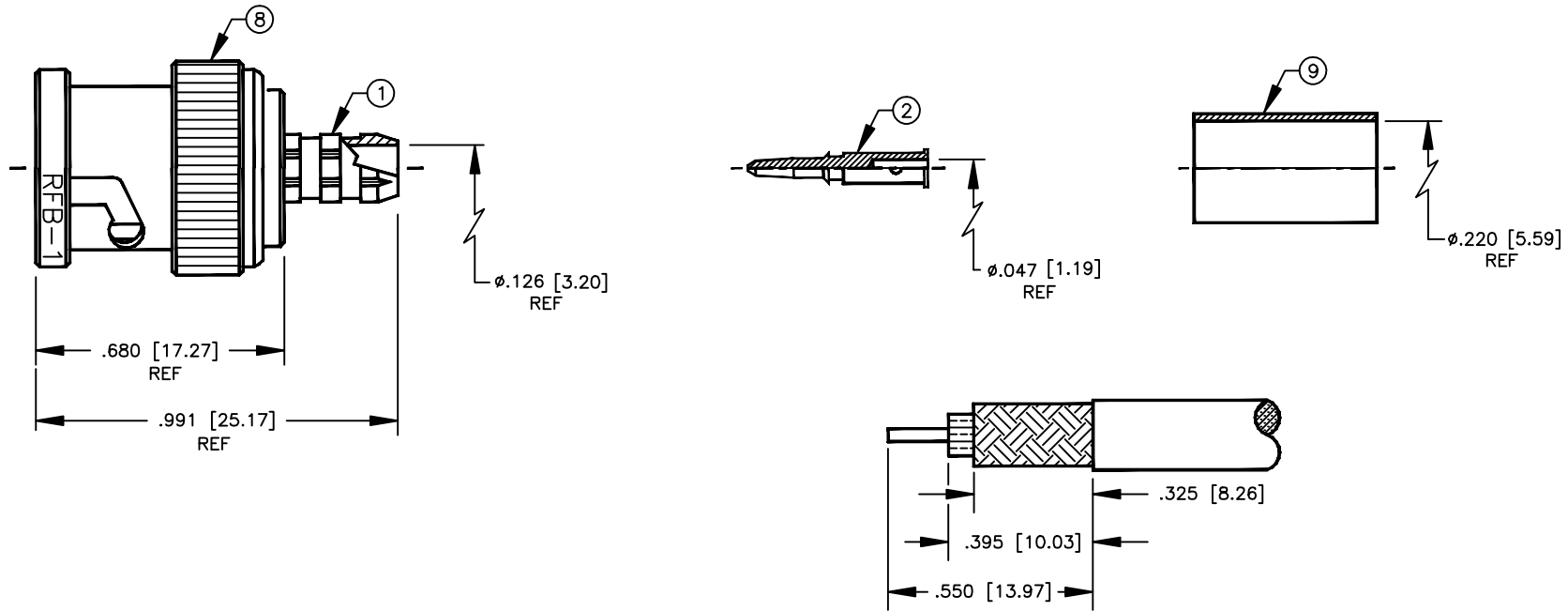


SPECIFICATION CONTROL DRAWING

THIS DRAWING CONTAINS INFORMATION PROPRIETARY TO RF INDUSTRIES, LTD. ANY UNAUTHORIZED USE OF THIS DRAWING IS EXPRESSLY PROHIBITED. ANY VIOLATION IS PUNISHABLE UNDER U.S. COPYRIGHT LAWS.

REV	DESCRIPTION	DWN	DATE	APPROVED
A	ENGINEERING RELEASE	CZS	6/6/97	R. RICE



SPECIFICATIONS:

IMPEDANCE: 50 OHMS
 WORKING VOLTAGE: 500 VRMS @ SEA LEVEL
 FREQUENCY RANGE: 0-4 GHz
 INSERTION LOSS: ≤ -0.2 dB @ 3 GHz
 VSWR MAX: 1.4:1 @ 3 GHz
 FOR TIMES LMR-200, LMR-200 ULTRAFLEX, ALPHA 9848 & MSI-22

SUGGESTED STRIPPING INSTRUCTIONS
SUGGESTED CRIMP DIE: .068 & .213

ITEM	DESCRIPTION	QTY	MATERIAL	FINISH
9	FERRULE (FER-103)	1	BRASS	NICKEL
8	SHELL	1	BRASS	NICKEL
7	WASHER	1	BRASS	NICKEL
6	SPRING	1	SK-5	NONE
5	WASHER	1	BRASS	NICKEL
4	GASKET	1	S.I. RUBBER	RED
3	DIELECTRIC	1	PTFE	NONE
2	PIN (PIN-3C2-11)	1	BRASS	GOLD
1	BODY	1	BRASS	NICKEL

DIMENSIONS ARE IN INCHES AND [MILLIMETERS]	
UNLESS OTHERWISE NOTED TOLERANCES ARE:	
DECIMALS	DIAMETER
DRAWN C. ZUNIGA	6/6/97
CHECKED	
ORJ DRAWN C. ZUNIGA	6/6/97
APPROVALS	DATE


 7610 MIRAMAR RD
 SAN DIEGO, CA 92126
 (619)549-6340
 (619)549-6345 FAX

RFB-1106-C2T

BNC MALE CRIMP PLUG

SIZE A	CABLE GROUP C2	DWG NO. 8708	REV A
SCALE: 2:1		CAD FILE 13ARC B	SHEET 1 OF 1