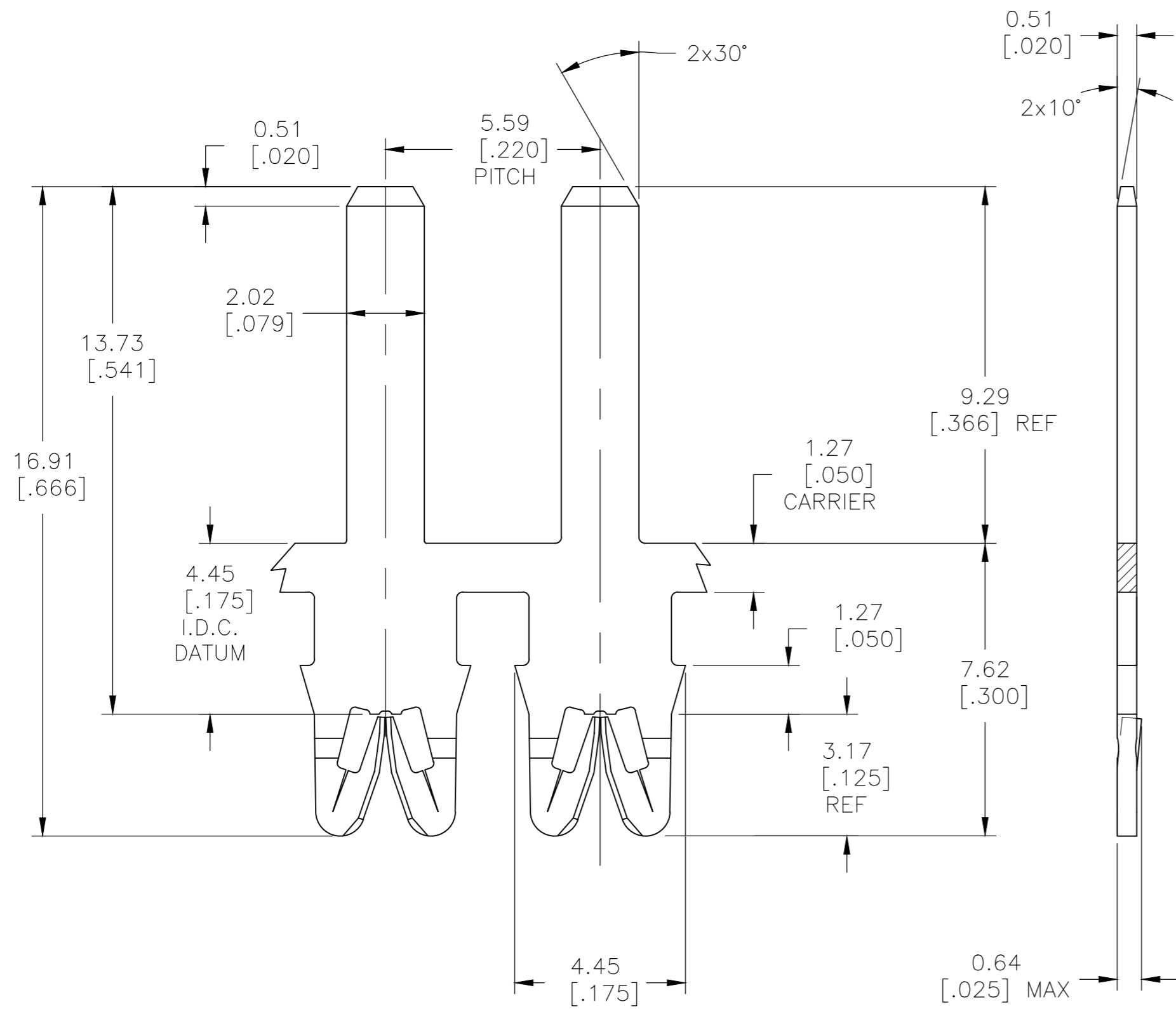
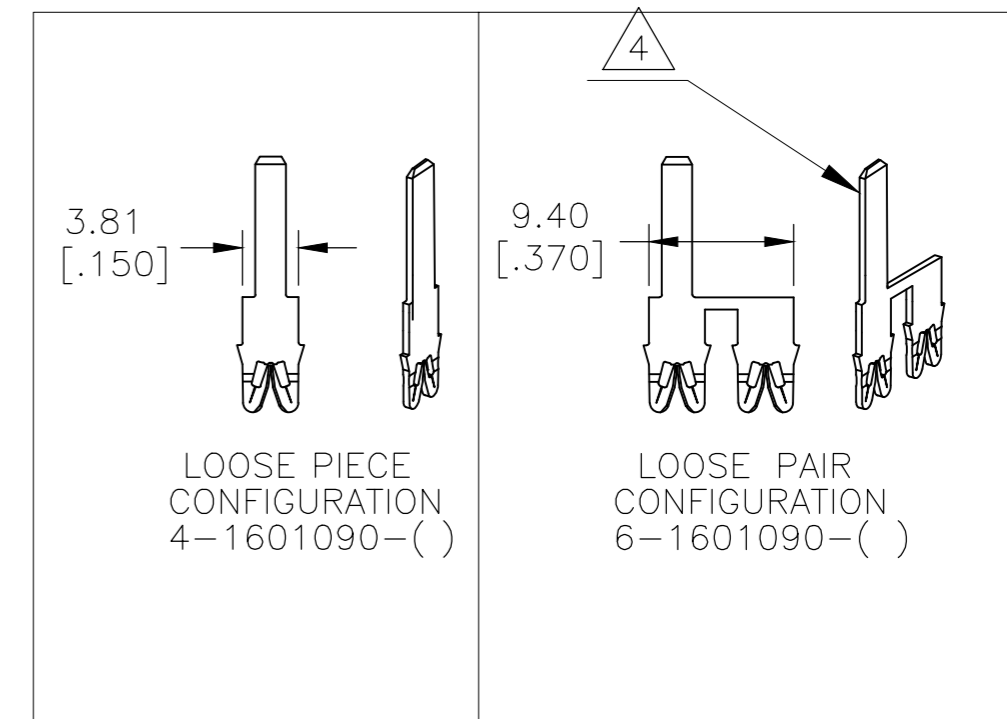


THIS DRAWING IS UNPUBLISHED. RELEASED FOR PUBLICATION
 © COPYRIGHT - By - ALL RIGHTS RESERVED.

LOC		DIST		REVISIONS			
P	LTR	DESCRIPTION		DATE	DWN	APVD	
AF	50	F		REVISED PER ECR-20-000418	14JAN2020	JA	PKS



- 1 MAGNET WIRE: #18 - 34 AWG, 1.02[.040]-0.16[.006] DIA. COPPER. OTHER SIZES MAY BE ACCOMMODATED,CONSULT TYCO ELECTRONICS FOR APPROVAL.
- 2 POCKET RECOMMENDATION: #1601425 EXCEPT ONLY 7.87[.310] DEEP
- 3 TERMINAL APPLICATION TO COMPLY WITH TYCO ELECTRONICS APPLICATION SPECIFICATION 114-13166 FIGURE 7.
- 4 BACK SIDE WITH IDC BEAMS PROTRUSION



OBSOLETE

Pre Tin Plate	131-162-002	6-1601090-2
Pre Tin Plate	031-161-002	4-1601090-2
Pre Tin Plate	131-162-002	2-1601090-2
Pre Tin Plate	131-161-002	1601090-2
FINISH	REFERENCE PART NUMBER	TE PART NUMBER
THIS DRAWING IS A CONTROLLED DOCUMENT.		DWN J.WELLER 11JAN2002
DIMENSIONS: mm [INCHES]		CHK M.FEHER 11JAN2002
TOLERANCES UNLESS OTHERWISE SPECIFIED:		APVD K.RANDOLPH 11JAN2002
0 PLC ± -	1 PLC ± -	PRODUCT SPEC
2 PLC ± 0.13[.005]	3 PLC ± -	108-2085
4 PLC ± -	ANGLES ± 2°	APPLICATION SPEC
MATERIAL BRASS, SPRING HARD	FINISH SEE TABLE	WEIGHT -
CUSTOMER DRAWING		SIZE A2 CAGE CODE 00779 DRAWING NO C=1601090
SCALE 1:1		SHEET 1 OF 1
REV F		RESTRICTED TO -

STE TE Connectivity

STANDARD RANGE WIRE TO 2.0 x 0.51 TAB SIAMEZE TERMINAL