

PART NAME: KNOB SCALE: 1:1 DATE: 9/10/97 DR. BY HD

THIS DRAWING IS THE PROPERTY OF DAVIES MOLDING COMPANY, IS SUBMITTED SOLELY AS A DESIGN OR ENGINEERING PROJECT. WE ACCEPT NO RESPONSIBILITY WHATSOEVER FOR THE PRACTICAL APPLICATION OF THE PIECES MADE TO THIS DESIGN.



DESIGNERS & MANUFACTURERS OF KNOBS, HANDLES, CASES & CUSTOM PLASTIC COMPONENTS

P/N	2750-R
M NO. #	69
CAVITY	2750
CORE	2750
SLEEVE	2750
PIN	2750-C
INSERT	10870

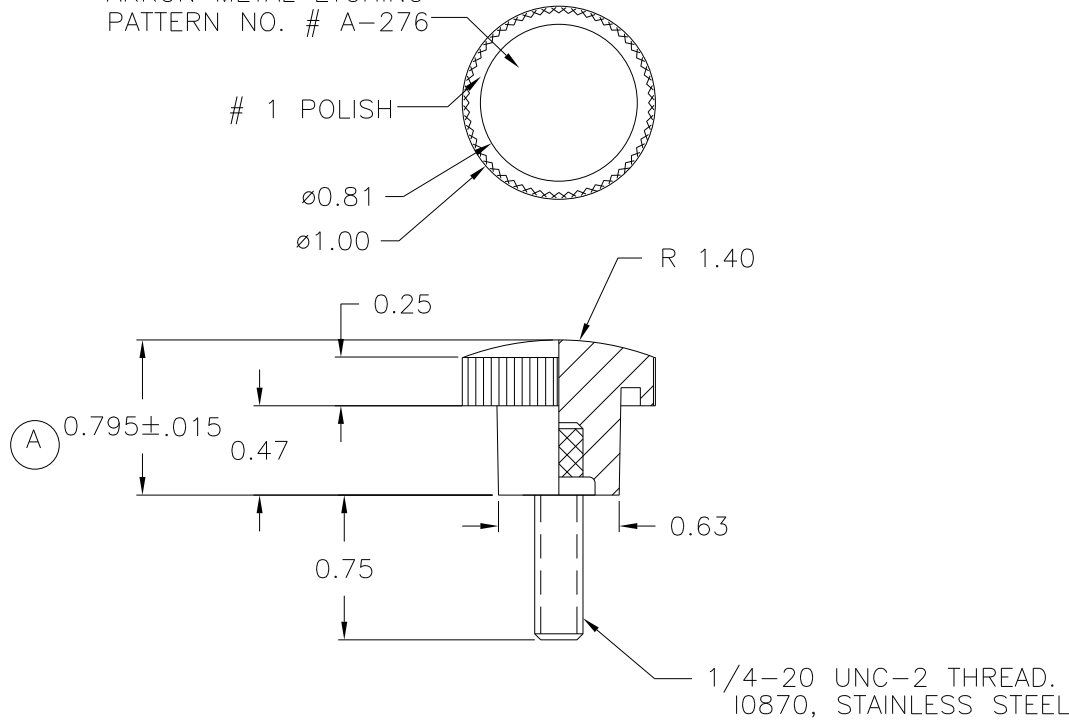
AKRON METAL ETCHING
PATTERN NO. # A-276

1 POLISH

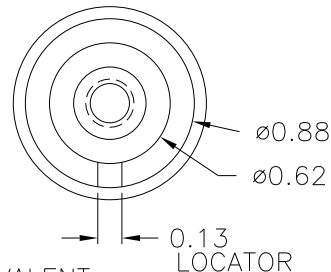
ø0.81

ø1.00

R 1.40



ROTARY TABLE SETUP	
UNIT IN PRESS	DH1 OR 2
F NO TOP	IR-69
F NO BOTTOM	IR-69
CAVITY	2750
CORE	2750
SLEEVE	IR-2750
PIN	IR-2750-D
INSERT	I0870



(C) MATERIAL: NYLON 6/6 (ZY2), (ZY6)
OR ENGINEERING APPROVED EQUIVALENT
COLOR: BLACK

(B) LOCATOR

TOLERANCES: UNLESS OTHERWISE SPECIFIED	DO NOT SCALE DRAWING	C	WAS CLC, ADDED ZY6	JAM	6/25/12
DECIMALS: X.XXX ± .005 X.XX ± .015	MM: X.XX ± 0.15MM X.X ± 0.4MM	B	ADDED MAT. CODE	DS	1/8/07
FRACTIONS ± 1/64	ANG. ± 1°	A	WAS .81 HGT.	HD	12/17/97
CHANGES					