

6

5

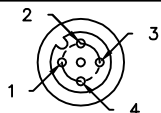
4

3

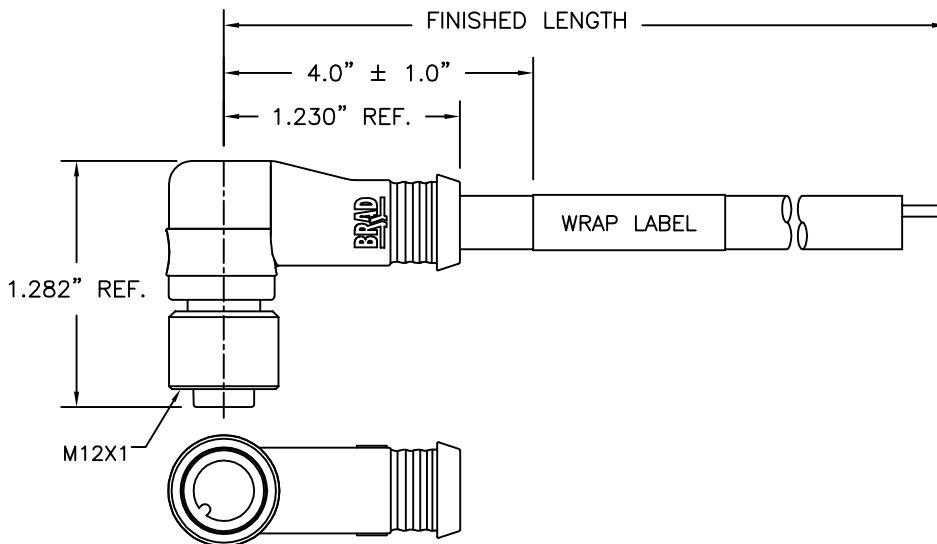
2

1

FEMALE FACE VIEW COLOR ROTATION



- 1 BLUE
- 2 BROWN
- 3 DRAIN
- 4 NOT USED(FOR GN/YE OPTION SEE SHEET 2)



NOTES:

MATERIALS:

MOLDED BODY:
COUPLER:

BLACK PVC
STAINLESS STEEL OR
NI PLATED BRASS
GOLD/NICKEL OVER
COPPER ALLOY
BLACK ZYTEL(NYLON)
RED NITRILE RUBBER

CONTACTS:

INSERT:
O-RING:

CABLE:

CABLE JACKET:
GAUGE:
CONDUCTOR INSULATION:
TEMPERATURE RANGE:

ORANGE PVC
18/3AWG
PVC (SEE PINOUT FOR COLORS)
-40° TO 105°C

ELECTRICAL:

CURRENT RATING:
VOLTAGE RATING:

4AMP MAX
250V

MECHANICAL:

INGRESS PROTECTION:

IP 67

AGENCY CERTIFICATIONS:

AGENCY:

CSA PENDING

MATERIAL NUMBER REFERENCE:

MATERIAL NUMBER	CONFIGURABLE PART NUMBER	FINISHED LENGTH	COUPLER STYLE
1300420033	804001D09M0208	2 METERS	HEX - 316 STAINLESS STEEL
1300420034	804001D09M0508	5 METERS	HEX - 316 STAINLESS STEEL
1300420035	804001D09M1008	10 METERS	HEX - 316 STAINLESS STEEL
1300420027	804001D09M020	2 METERS	KNURLED - NI PLATED BRASS
1300420028	804001D09M050	5 METERS	KNURLED - NI PLATED BRASS
1300420029	804001D09M100	10 METERS	KNURLED - NI PLATED BRASS

*PLEASE CALL TECHNICAL SUPPORT TO REQUEST VARIATIONS

UPDATE PER JM EC NO: WNA2009-0313 DRWN: LHARTMAN 2008/10/27 CHKD: YOU 2008/10/27 APPR: JFMURPHY 2008/11/10	QUALITY SYMBOLS ▽=0 ▽=0	GENERAL TOLERANCES (UNLESS SPECIFIED)		DIMENSION STYLE		SCALE	DESIGN UNITS	THIRD ANGLE PROJECTION	
			mm	INCH	----		1:1		INCH
		4 PLACES	±---	±---	DRAWN BY DATE		TITLE		
		3 PLACES	±---	±---	LHARTMAN 2008/10/27		MICRO-CHANGE CORDSET FF 4 POLE FEMALE 90 DEG SHIELDED PVC CABLE		
2 PLACES	±---	±---	CHECKED BY DATE		MATERIAL NO.		MOLEX INCORPORATED		
1 PLACE	±---	±---	VOU 2008/10/27		DOCUMENT NO.				
ANGULAR ±---°		APPROVED BY DATE		SD-130042-002					
DRAFT WHERE APPLICABLE MUST REMAIN WITHIN DIMENSIONS		SEE TABLE		THIS DRAWING CONTAINS INFORMATION THAT IS PROPRIETARY TO MOLEX INCORPORATED AND SHOULD NOT BE USED WITHOUT WRITTEN PERMISSION		SHEET NO. 1 OF 2			
C	REV			SIZE A					

6

5

4

3

2

1

Engineering Part Number Matrix

Please call technical support to request cordset variations

8	0	4	0	0	0	D	0	9	M	0	2	0	8
Product Family 1st digit-Head 1: 8 = Micro-Change M12 coupler 2nd digit-Head 2: 0 = no head 8 = Micro-Change M12 coupler Pole Count 4 = 4 pole		Head Style 000 = Female straight w/internal thread (single ended) 001 = Female 90 degree w/internal thread (single ended) 006 = Male straight w/external thread (single ended) 007 = Male 90 degree w/external thread (single ended) 030 = Female straight int. thd. to Male straight ext. thd. 031 = Female 90 degree int. thd. to Male straight ext. thd. 032 = Female straight int. thd. to Male 90 degree ext. thd. 033 = Female 90 degree int. thd. to Male 90 degree ext. thd.				Cable Style D07 = #18/2 Orange FF cable with gnd + drain D08 = #18/2 Blue FF cable gnd + drain D09 = #18/2 Orange FF cable with drain D10 = #18/2 Blue FF cable with drain			Length 020 = 2 Meters 010 = 1 Meter 100 = 10 Meters 001 = 0.1 Meters Units M = Meters		Coupling Nut Style Blank = Nickel Plated Brass(knurled) 8 = 316 Stainless Steel(hex)		

UPDATE PER JM EC NO: WNA209-0313 DRWN: LHARTMAN 2008/10/27 CHKD: YOU 2008/10/27 APPR: JFMURPHY 2008/11/10	QUALITY SYMBOLS ▽=0 ∇=0	GENERAL TOLERANCES (UNLESS SPECIFIED)		DIMENSION STYLE ----		SCALE 1:1	DESIGN UNITS INCH	THIRD ANGLE PROJECTION		
		4 PLACES	±---	±---	DRAWN BY	DATE	TITLE MICRO-CHANGE CORDSET FF 4 POLE FEMALE 90 DEG SHIELDED PVC CABLE			
		3 PLACES	±---	±---	CHECKED BY	DATE				
		2 PLACES	±---	±---	APPROVED BY	DATE	MOLEX INCORPORATED DOCUMENT NO. SD-130042-002 SHEET NO. 2 OF 2			
1 PLACE	±---	±---	MATERIAL NO. SEE SHEET 1							
ANGULAR ±---°		DRAFT WHERE APPLICABLE MUST REMAIN WITHIN DIMENSIONS								
C	REV	THIS DRAWING CONTAINS INFORMATION THAT IS PROPRIETARY TO MOLEX INCORPORATED AND SHOULD NOT BE USED WITHOUT WRITTEN PERMISSION								