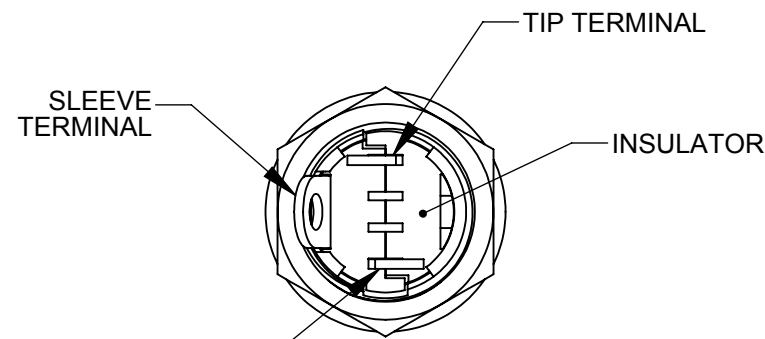
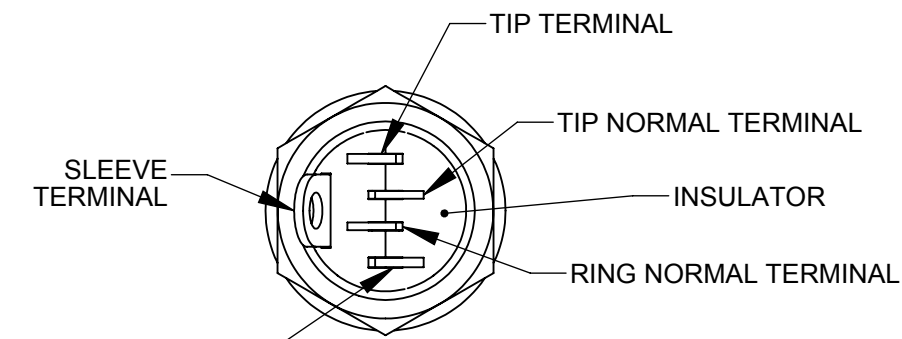


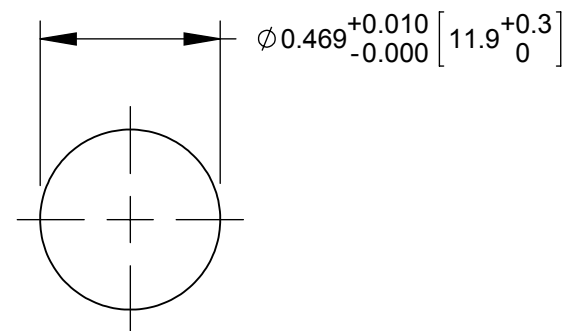
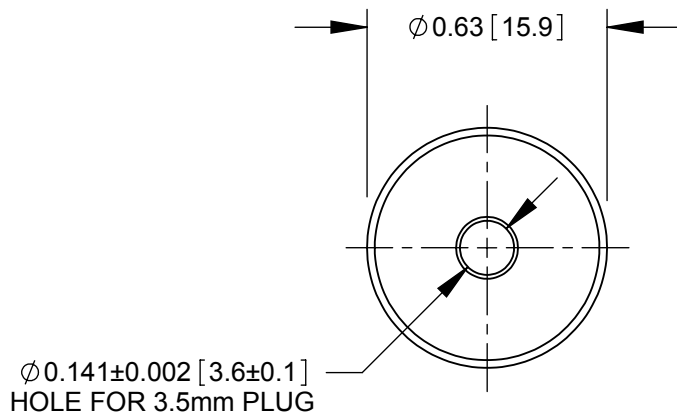
**35MMJ2C**



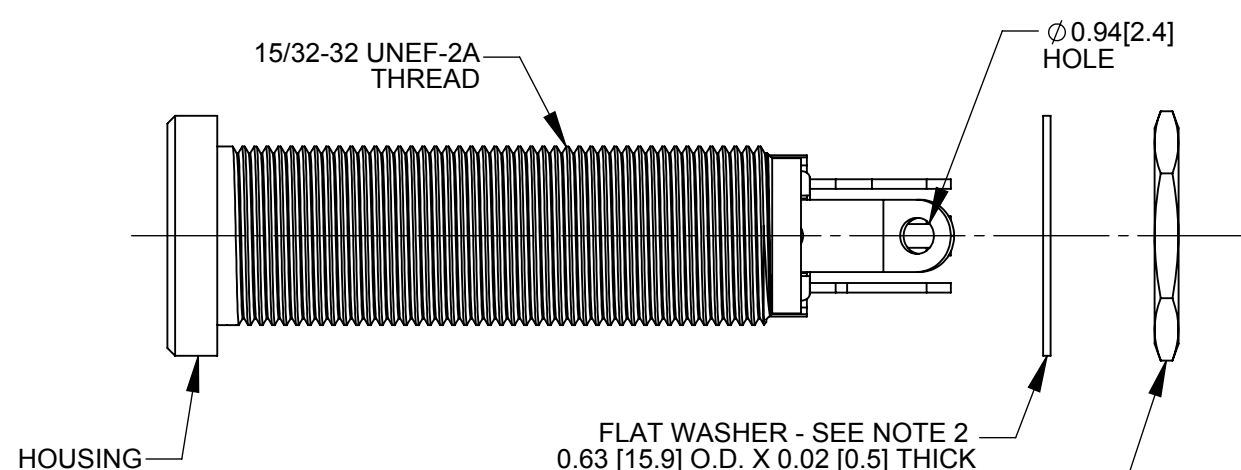
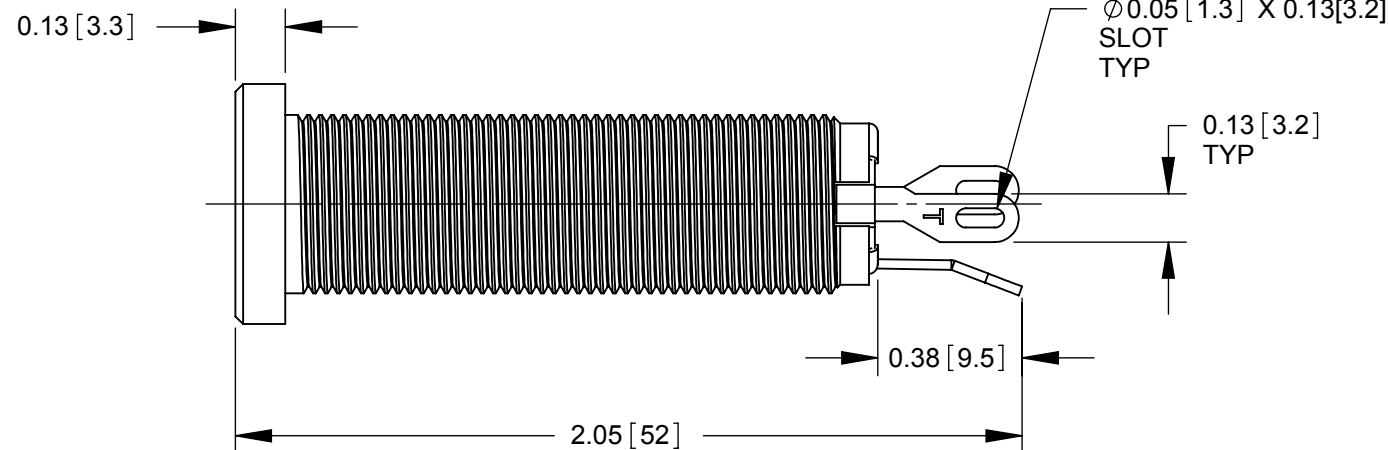
**35MMJ3C**



**35MMJ5C**



RECOMMENDED  
PANEL CUT-OUT



**35MMJ5C  
SHOWN**

FLAT WASHER - SEE NOTE 2  
0.63 [15.9] O.D. X 0.02 [0.5] THICK

HEX NUT - SEE NOTE 2  
0.56 [14.3] ACROSS FLATS

PART NUMBER	DESCRIPTION
35MMJ2C	3.5mm JACK, 2-CONDUCTOR MONO
35MMJ3C	3.5mm JACK, 3-CONDUCTOR STEREO
35MMJ5C	3.5mm JACK, 5-CONDUCTOR STEREO NORMALLED

**CUSTOMER DRAWING**

NOTES:

- MATERIALS:  
SPRINGS - NICKEL SILVER  
HOUSING - BRASS, NICKEL PLATED  
INSULATOR - THERMOPLASTIC, BLACK  
NUT & WASHER - BRASS, NICKEL PLATED
- HARDWARE SHIPPED UNASSEMBLED.
- THIS PRODUCT IS RoHS COMPLIANT.

REV	ECO NUMBER	DATE	BY	APVD
A	25462	10/20/06	RS	TJK
REVISIONS				

UNLESS OTHERWISE SPECIFIED

- ALL DIMENSIONS IN INCHES  
- TWO PLACE DECIMALS ±0.02  
- THREE PLACE DECIMALS ±0.005

DO NOT SCALE DRAWING

THIS DRAWING DESCRIBES A DESIGN CONSIDERED PROPRIETARY IN NATURE, DEVELOPED AND MANUFACTURED BY SWITCHCRAFT INC. AND IS RELEASED ON A CONFIDENTIAL BASIS FOR IDENTIFICATION PURPOSES ONLY.

SIZE	WIDTH	MULT	LBS/M	TEMPER
------	-------	------	-------	--------

FINISH	MATERIAL	SEE NOTES
SPEC No.	SPEC No.	

FIRST USED ON	SCALE
	2:1

DATE DRAWN	BY	CHKD	APVD
10/18/05	PNK	RS	TJK
		6/23/09	9/18/09

NAME		PART No.	REV
3.5mm PHONE JACK, RoHS		35MMJ SERIES	A

**Switchcraft®**

SHEET 1 OF 1