



# 1710-1755 MHz Cavity Bandpass Filter

Part Number: AE1732B11033



**ANATECH ELECTRONICS INC**  
RF & Microwave Filters & Products

## Electrical specifications

**Center Frequency:** 1732.5MHz  
**Passband:** 1710-1755MHz  
**Bandwidth:** 45MHz  
**Passband return Loss:**  $\geq 18$ dB  
**Passband insertion Loss:** 1dB  
**Passband Ripple:** 0.1dB  
**Input/Output Impedance:** 50 Ohms  
**Rejection:**  $\geq 70$ dB@2110MHz  
**Power Handling:** 40W

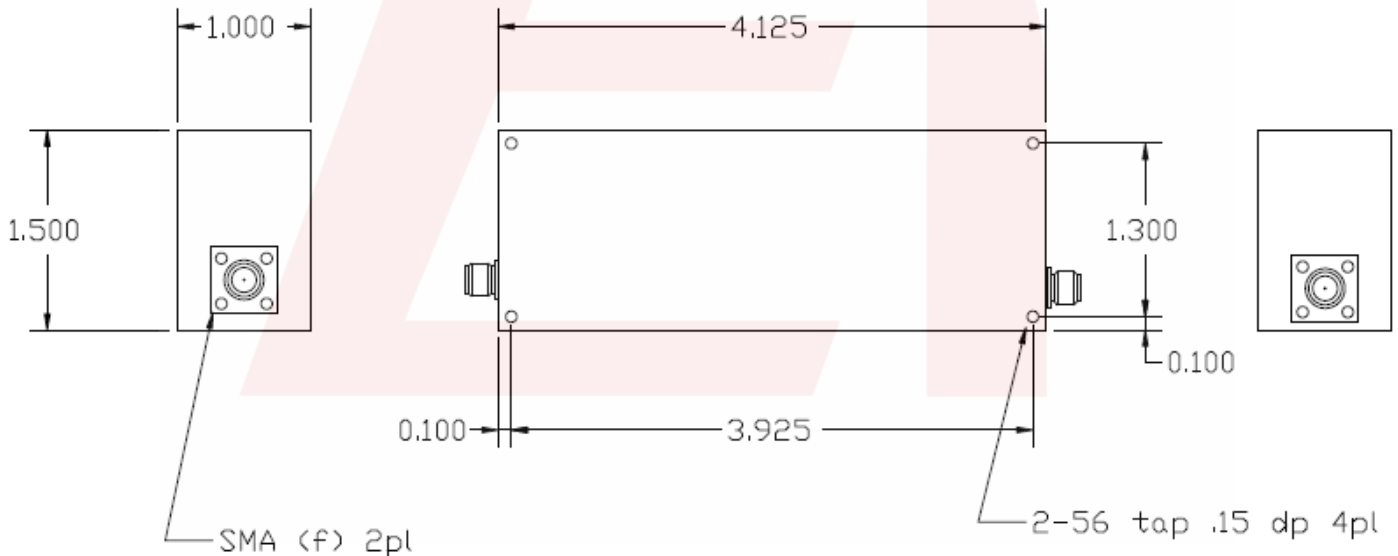
## Mechanical

**Mounting Method:** 2-56 Threaded Mounting  
**Connector Type:** SMA (F)  
**Dimensions:** 4.125" x 1.500" x 1.000" in

## Environmental

**Operating Temperature:** -40°C to +70°C  
**Storage Temperature:** -50°C to +90°C  
**Shock:** 20 G. 11ms  
**Vibration:** 20 G. 5 to 200 Hz

## Outline Drawing:



DS-B11033-08202015-Rev0