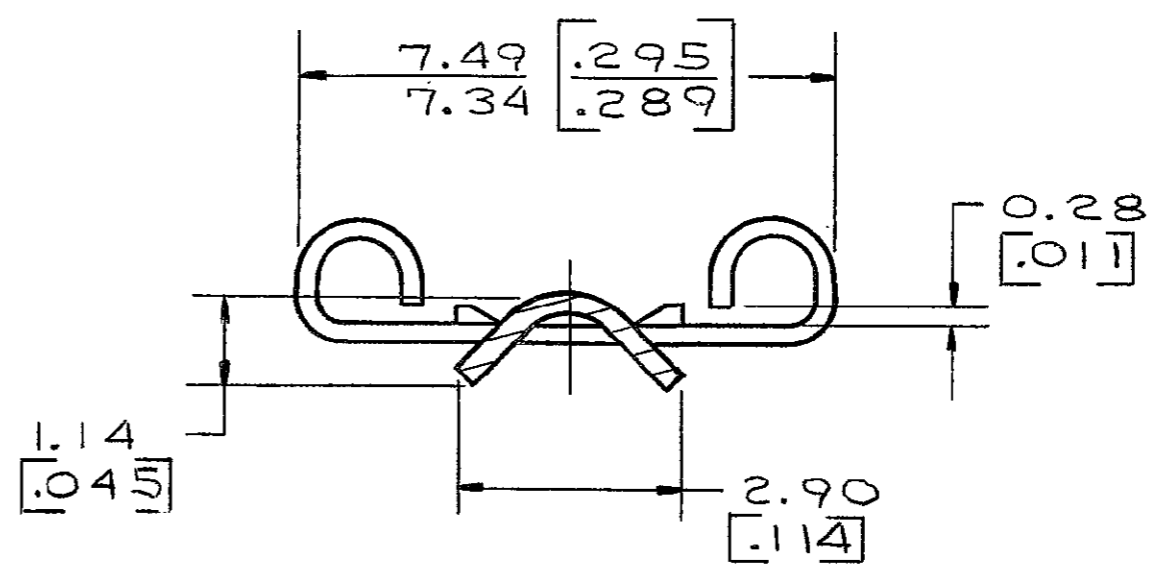
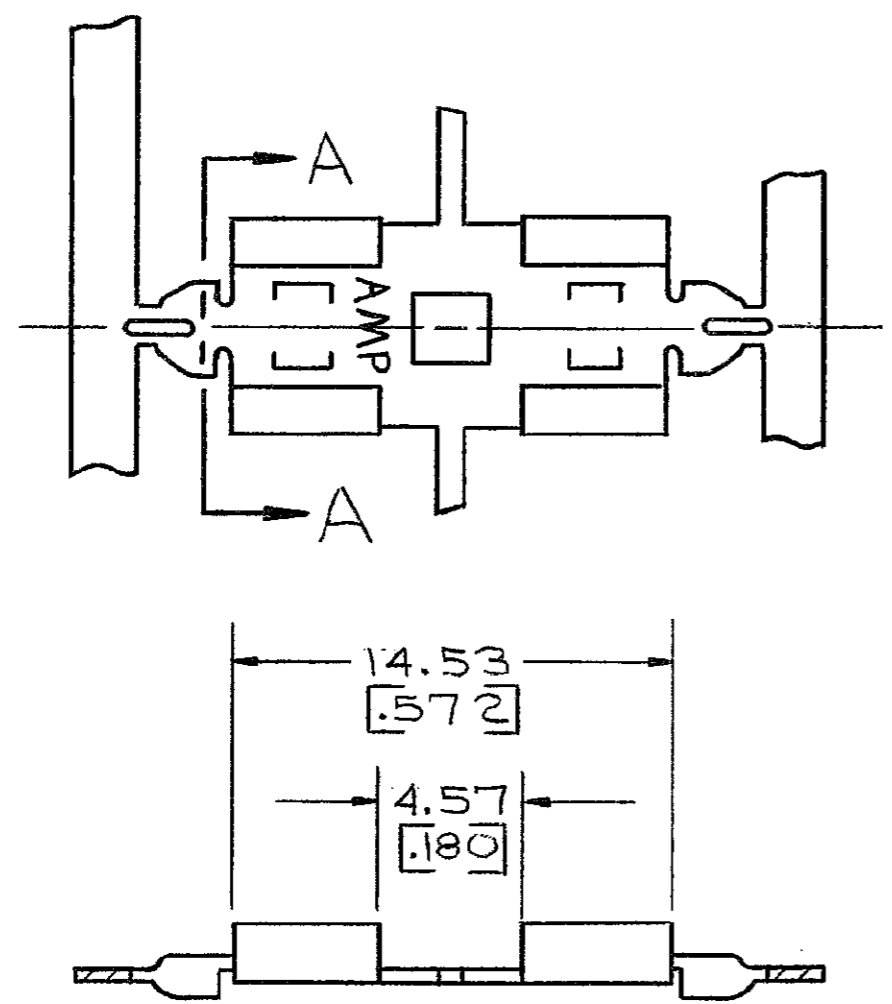


REVISIONS						
P	F	ZONE	LTR	DESCRIPTION	DATE	APPROVED
			D1	REVISED PER ECO-11-005294	11APR11	HMR



SECTION A-A
SCALE 10-1

1. DIMENSIONS IN BRACKETS ARE IN INCHES.
2. CONTINUOUS STRIP ON REELS.
3. TO BE MOUNTED IN 2.54 ± 0.05 $[\text{.100} \pm \text{.002}]$ DIA HOLE.

METRIC

		NONE	62751-2
62806-1		TIN OVER Cu	62751-1
LOOSE PIECE NUMBER		FINISH	PART NO
UNLESS OTHERWISE SPECIFIED DIMENSIONS ARE IN INCHES MILLIMETERS		TE Connectivity	
TOLERANCES ON DECIMALS ± 0.38 $[\text{.015}]$			
MATERIAL 0.25 $[\text{.010}]$ BRASS		NAME P.C.B. RECEPTACLE (.250x.016 SPADE)	
FINISH SEE TABLE		SIZE B	CODE IDENT NO 00779
CONTRACT NO		DRAWING NO 62751	
DR W.S.DAVIS 2-23-78		SCALE	
CHK G YETTER 2-23-78		SHEET	
APPD <i>[Signature]</i> 2-23-78			
APPD			
DSGN APPD			
OTHER APPD			