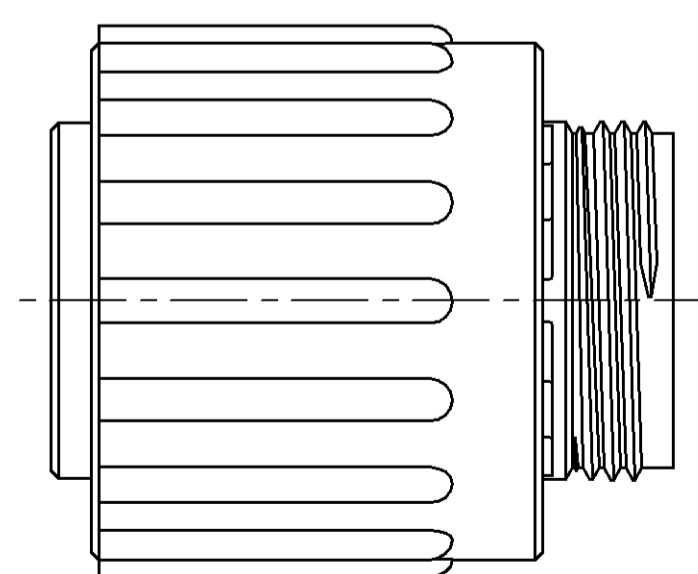
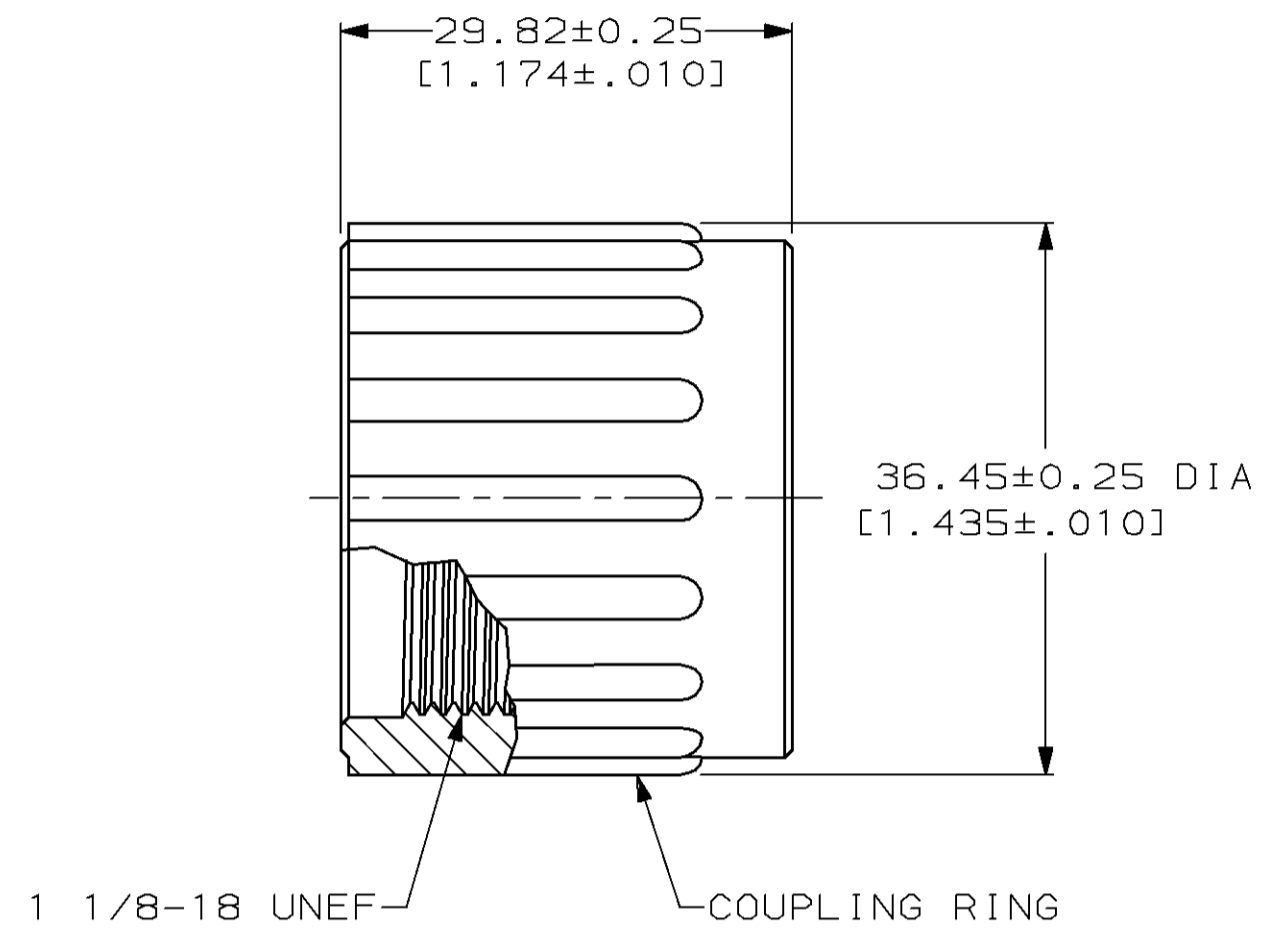
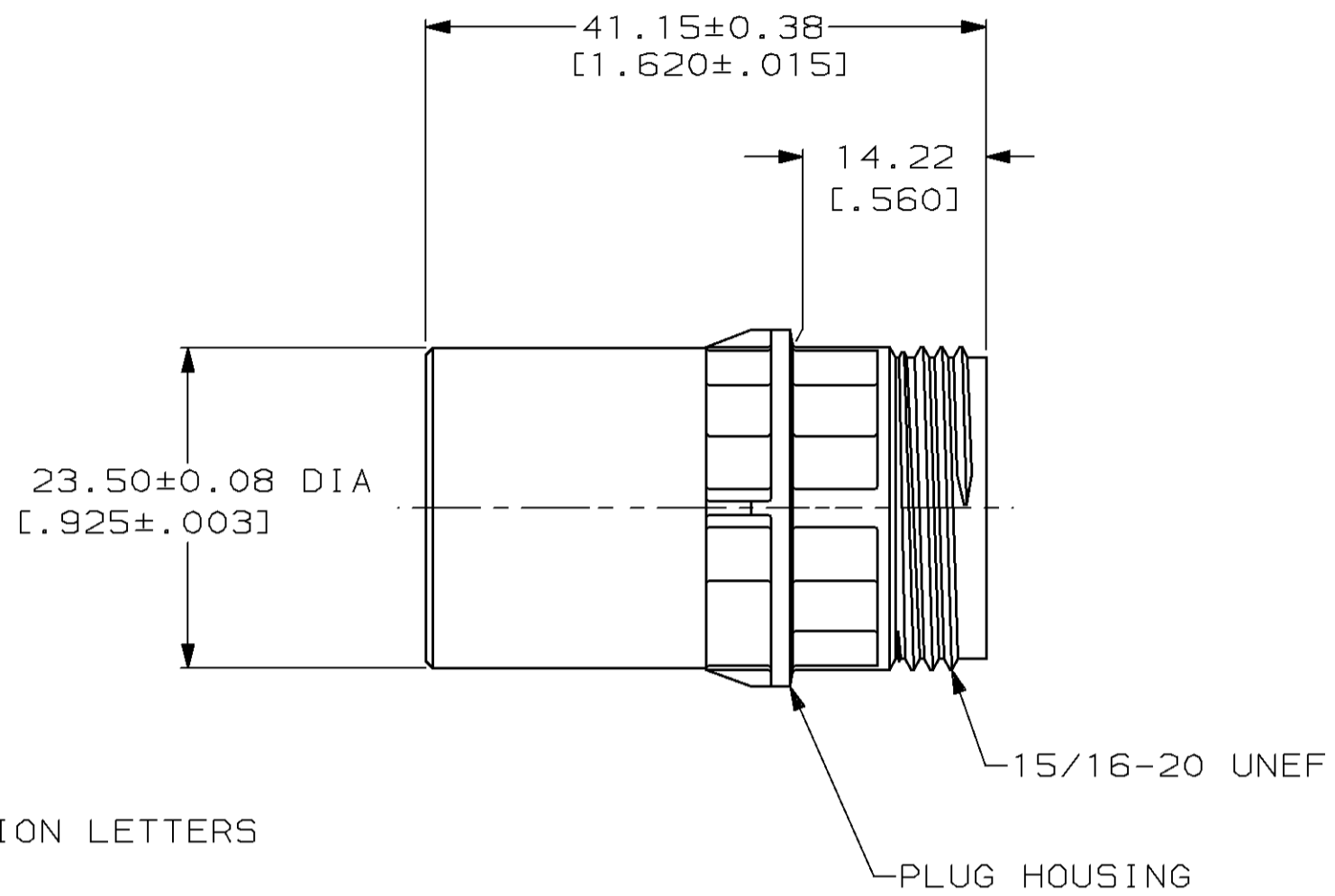
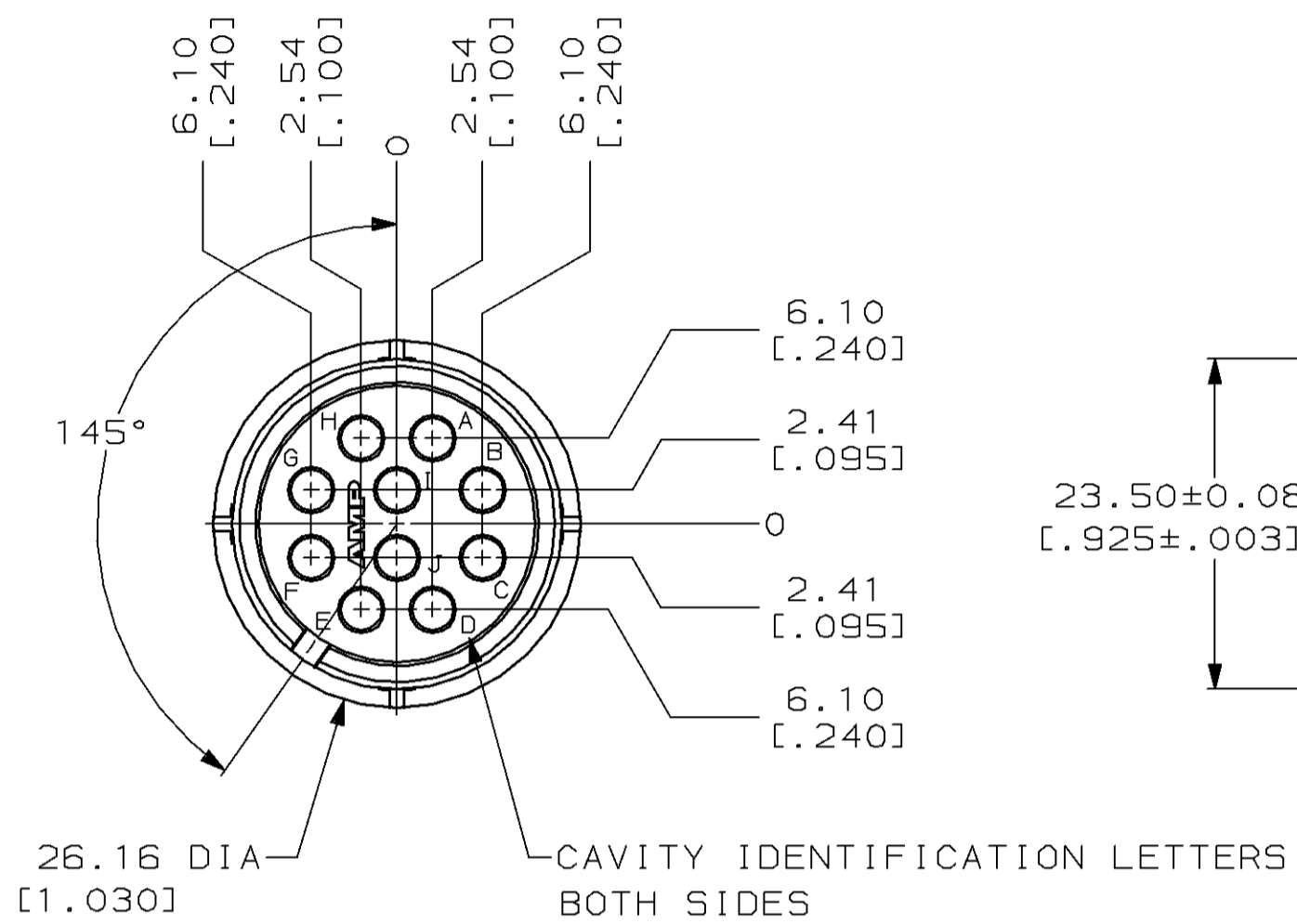


MOD	LOC	DIST	P	F	ZONE	LTR	DESCRIPTION	DATE	APPD
4	BD	35					0 RLSE, WAS 91-5029-5, NPR 3371	4-91	-
							A REV PER EC 0020-0740-94	07/13/94	AF



DO NOT SCALE PRINT. UNLESS SPECIFIED DIMENSIONS IN mm [INCHES] TOLERANCES ON : 2 PLC DEC ± 0.13 [.005] 3 PLC DEC ± - ANGLES ± 1°		DR 4-29-91 J McCLINTON		AMP Incorporated Harrisburg, PA 17105-3608	
MATERIAL POLYAMID, BLACK		CHK 5-2-91 R.STONE			
FINISH -		APPD 5-2-91 K.BEAVER		NAME CONNECTOR KIT, UNASSEMBLED, PLUG, 18-10, REVERSE SEX, CPC	
		APPD 5-2-91 J.FULPONI		SIZE C 00779	
		PRODUCT SPEC 108-10024		DRAWING NO 213671	
		APPLICATION SPEC 114-10004		SCALE 2:1	
		WEIGHT -		SHEET 1 OF 1	

213671-1  
 PART NO