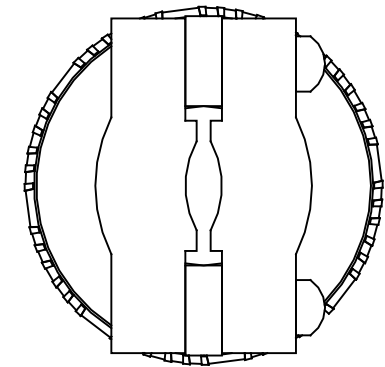
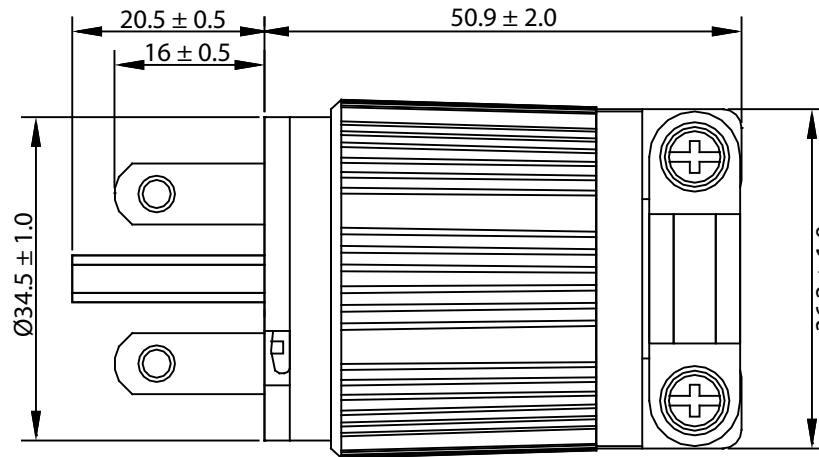
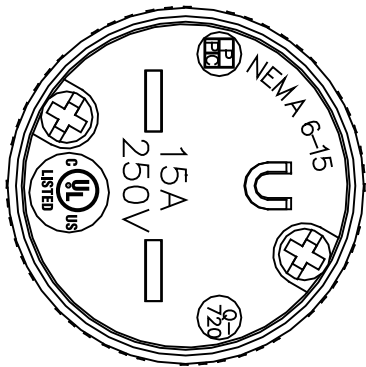


THESE DRAWINGS ARE THE PROPERTY OF QUALTEK ELECTRONICS AND NOT TO BE REPRODUCED FOR OR COMMUNICATED TO A THIRD PARTY WITHOUT THE EXPRESS WRITTEN PERMISSION OF AN OFFICER OF QUALTEK ELECTRONICS.

REVISION			
REV.	DESCRIPTION	DATE	APPROVED
B	Updated Specifications	04-15-09	LY



CONTROLLED

NOTES:

1. RATING: 15A 250VAC
2. COLOR: BLACK
3. CORD CLAMP: ACCEPTS 18/3 - 12/3 CABLE
4. TERMINAL I.D.:
 - A. GROUND TERMINAL COLORED GREEN AND MARKED "GR"
 - B. LINE WIRES TERMINAL SCREWS COLORED BLACK
5. APPROVALS: UL/cUL LISTED: E139592
6. ROHS COMPLIANT

Dim range (mm)		Tolerance +/- (mm)		Qualtek Electronics Corp. PPC DIVISION		
0-1		0.15		Part Number: Q-720 RoHS Compliant		
1-6		0.20		Description: NEMA 6-15P STRAIGHT BLADE DEVICE		
6-18		0.30				
18-50		0.50				
50-120		0.70				
120-250		0.90				
250-500		1.20				
				UNIT: mm		REV. B
				Drawn / Date		Checked / Date
				R.Nuti 02-05-09		02-05-09
						Approved / Date
						LY / 02-05-09