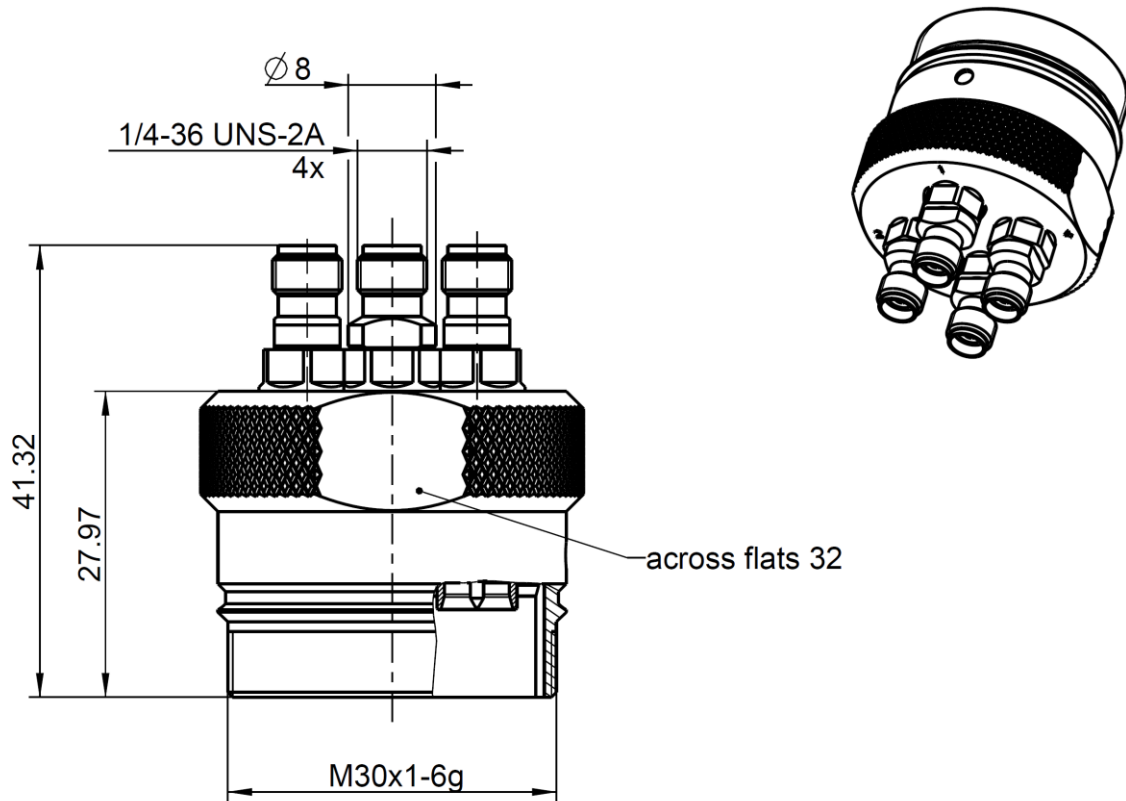


ADAPTOR  
RPC-3.50 female – MQ4 female

**03K1MQ4-K01S3**



All dimensions are in mm; tolerances according to ISO 2768 m-H

**Interface**

RPC-3.50 according to	IEC 60169-23
RPC-3.50 mechanically compatible with	RPC-2.92 and SMA
MQ4 according to	IEC 63138

**Documents**

N/A

**Material and plating**

**Connector parts**

Center contact  
Outer contact  
Body  
Dielectric 1 (RPC-3.50 side)  
Dielectric 2 (MQ4 side)

**Material**

CuBe  
Stainless steel  
Brass  
COP  
PTFE

**Plating**

Gold, min. 1.27 µm, over chemical nickel  
Passivated  
White bronze(e.g. Optalloy®)

Dieses Dokument ist urheberrechtlich geschützt • This document is protected by copyright • Rosenberger Hochfrequenztechnik GmbH & Co. KG

RFB00035/12.20/6.4

**Electrical data**

Impedance	50 Ω
Frequency	DC to 6 GHz
Return loss	≥ 36 dB, DC to 2 GHz ≥ 34 dB, 2 GHz to 4 GHz ≥ 28 dB, 4 GHz to 6 GHz
Insertion loss	≤ 0.05 x √f(GHz)dB
Insulation resistance	≥ 5 GΩ
Proof voltage (at sea level)	1000 V rms
Working voltage (at sea level)	335 V rms
RF-leakage	≥ 100 dB up to 1 GHz

**Mechanical data**

Mating cycles RPC-3.50	≥ 500
Mating cycles MQ4	≥ 1000
Center contact captivation: axial	≥ 27 N
Coupling test torque RPC-3.50	1.70 Nm
Coupling torque recommended RPC-3.50	0.80 Nm to 1.10 Nm
Coupling torque recommended MQ4	25 Nm to 30 Nm

**Environmental data**

Temperature range	-40 °C to +85 °C
Thermal shock	MIL-STD-202, Meth. 107, Cond. B
Corrosion	MIL-STD-202, Meth. 101, Cond. B
Vibration	MIL-STD-202, Meth. 204, Cond. D
Shock	MIL-STD-202, Meth. 213, Cond. I
Moisture resistance	MIL-STD-202, Meth. 106
RoHS	compliant

**Notes**

Single adaptor as replacement part	03K1MQ4-K00S3
------------------------------------	---------------

**Weight**

145 g/pce

While the information has been carefully compiled to the best of our knowledge, nothing is intended as representation or warranty on our part and no statement herein shall be construed as recommendation to infringe existing patents. In the effort to improve our products, we reserve the right to make changes judged to be necessary.

For the installation of the electrotechnical equipment, particular electrotechnical expertise is required.



Dieses Dokument ist urheberrechtlich geschützt • This document is protected by copyright • Rosenberger Hochfrequenztechnik GmbH & Co. KG

RFB00035/12.20/6.4

Draft	Date	Approved	Date	Rev.	Engineering change number	Name	Date
F. Reiner	01.09.20	H. Babinger	01.12.21	b00	21-2187	J. Rohloff	01.12.21

Rosenberger Hochfrequenztechnik GmbH & Co. KG P.O.Box 1260 D-84526 Tittmoning Germany <a href="http://www.rosenberger.com">www.rosenberger.com</a>	Tel. : +49 8684 18-0 Email : <a href="mailto:info@rosenberger.com">info@rosenberger.com</a>	Page 2 / 2
--	--	---------------